



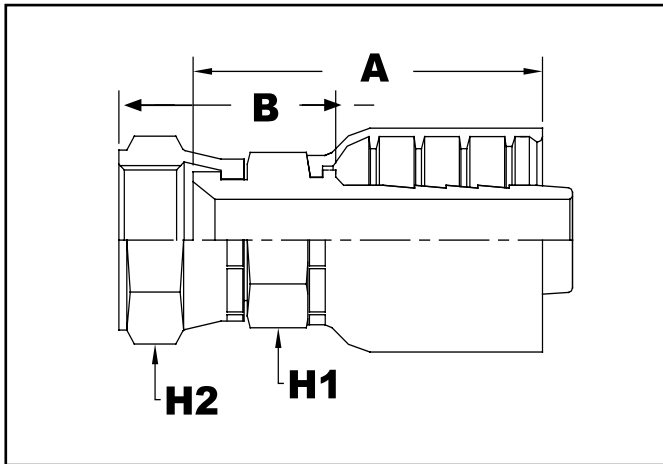
HYDRAULIC HOSE PRODUCT GUIDE

HYDRAULIC COUPLINGS - 12/JB12 SERIES FOR 1 & 2-WIRE BRAID HOSE

<u>SERIES</u>	<u>DESCRIPTIVE SERIES</u>	<u>DESCRIPTION</u>	<u>PAGE</u>
1200	JB12FS	Female Swivel - 37° Flare	61
1202	JB12FS45	Female Swivel - 37° Flare, 45° Elbow	62
1204	JB12FS90	Female Swivel - 37° Flare, 90° Elbow	63
1204L	NEW! JB12FS90L	Female Swivel-37° Flare, 90° Elbow - Long Drop	64
1205	JB12OFS	Female O-Ring Face Seal - Straight	65
1207	JB12FOFS45	Female O-Ring Face Seal - 45° Elbow	66
1209	JB12OFS90	Female O-Ring Face Seal - 90° Elbow	67
1209L	NEW! JB12OFS90L	Female O-Ring Face Seal - 90° Elbow - Long Drop	68
1210	JB12FA	Female Swivel SAE 45° Flare	69
1215	JB12FP	Female Pipe Rigid NPTF	70
1216	NEW! JB12FPS	Female Pipe Swivel NPTF	71
1220	JB12MP	Male Pipe Rigid NPTF	72
1223	JB12MS	Male Pipe Swivel	73
1225	JB12MJ	Male JIC 37°	74
1226	NEW! JB12MJBH	Male JIC 37° Flare - Bulkhead	75
1227	JB12OB	Male O-Ring Boss	76
1228	JB12OBS	Male O-Ring Boss Swivel	77
1230	JB12JISMP	Male JIS/BSP Taper Rigid Pipe - Metric	78
1232	JB12MOFS	Male O-Ring Face Seal	79
1234	JB12C61S	SAE Code 61 Flange Straight	80
1236	JB12C6145	SAE Code 61 Flange 45° Elbow	81
1239	JB12C6290	SAE Code 61 Flange 90° Elbow	82
1241	JB12C62S	SAE Code 62 Flange Straight	83
1243	JB12C6245	SAE Code 62 Flange 45° Elbow	84
1245	JB12C6290	SAE Code 61 Flange 90° Elbow	85
1248	JB12FSPPBSP	Female Swivel Parallel Pipe - BSP 30° Cone Metric	86
1249	JB12FSPPBSP45	Female Swivel Parallel Pipe - BSP 30° Cone 45° Elbow - Metric	87
1250	JB12FSPPBSP90	Female Swivel Parallel Pipe - BSP 30° Cone 90° Elbow - Metric	88
1252	JB12FSPPJIS	Female Swivel Parallel Pipe - JIS 30° Cone Metric	89
1254	JB12FSPPJIS45	Female Swivel Parallel Pipe - JIS 30° Cone 45° Elbow - Metric	90
1256	JB12FSPPJIS90	Female Swivel Parallel Pipe - JIS 30° Cone 90° Elbow - Metric	91
1258	NEW! JB12FSJISF	Female Swivel JIS 30° flare	92
1270	JB12KFSM	Female Swivel Komatsu 30° Flare Metric	93
1271	JB12FSM	Female Swivel 60° Cone Metric	94
1272	JB12FS45M	Female Swivel 60° Cone 45° Elbow Metric	95
1273	JB12FS90M	Female Swivel 60° Cone 90° Elbow Metric	96
1275	JB12MM	Male DIN 24° - Metric	97
1277	JB12LFSORM	Female Swivel O-Ring 24° Cone DIN 3865 L-Series Metric	98
1278	JB12LFSORM45	Female Swivel O-Ring 24° Cone DIN 3865 L-Series - 45° Elbow Metric	99
1279	JB12LFSORM90	Female Swivel O-Ring 24° Cone DIN 3865 L-Series - 90° Elbow Metric	100
1280	JB12FSORM	Female Swivel O-Ring 24° Cone DIN 3865 S-Series - Metric	101
1281	JB12FSORM45	Female Swivel O-Ring 24° Cone DIN 3865 S-Series - 45° Elbow Metric	102
1282	JB12FSORM90	Female Swivel O-Ring 24° Cone DIN 3865 S-Series - 90° Elbow Metric	103

JB12FS SERIES Female Swivel 37° Flare

1200 SERIES



Catalog Part Number	Descriptive Part Number	Thread	Hose Inside Diameter		"A" Dimension Overall Length		"B" Dimension Cut-Off Length		Hex Sizes				Weight		Bulk Pack qty
			inch	mm	inch	mm	inch	mm	H1		H2		lbs	kg	
									inch	mm	inch	mm			
1200-0404	JB12FS-04-04	7/16-20	1/4	6.4	1.61	41.0	0.83	21.0	0.56	14.2	0.56	14.2	0.12	0.05	250
1200-0504	JB12FS-05-04	1/2-20	1/4	6.4	1.65	42.0	0.87	22.0	0.56	14.2	0.56	14.2	0.13	0.06	250
1200-0604	JB12FS-06-04	9/16-18	1/4	6.4	1.65	42.0	0.87	22.0	0.56	14.2	0.69	17.4	0.14	0.06	250
1200-0406	JB12FS-04-06	7/16-20	3/8	9.5	1.97	50.0	0.91	23.0	0.69	17.4	0.56	14.2	0.18	0.08	130
1200-0506	JB12FS-05-06	1/2-20	3/8	9.5	-	-	-	-	0.69	17.4	0.56	14.2	0.19	0.09	130
1200-0606	JB12FS-06-06	9/16-18	3/8	9.5	1.97	50.0	0.91	23.0	0.69	17.4	0.69	17.4	0.21	0.10	130
1200-0806	JB12FS-08-06	3/4-16	3/8	9.5	1.97	50.0	0.91	23.0	0.69	17.4	0.87	22.2	0.26	0.12	130
1200-0808	JB12FS-08-08	3/4-16	1/2	12.7	2.13	54.0	0.91	23.0	0.87	22.2	0.87	22.2	0.30	0.14	100
1200-1008	JB12FS-10-08	7/8-14	1/2	12.7	2.17	55.0	0.94	24.0	0.87	22.2	1.00	25.4	0.32	0.14	80
1200-1208	JB12FS-12-08	1-1/16-12	1/2	12.7	2.17	55.0	0.94	24.0	0.87	22.2	1.00	25.4	0.42	0.19	80
1200-0810	JB12FS-08-10	3/4-16	5/8	15.9	2.59	65.8	1.06	27.0	1.06	27	0.87	22.2	0.33	0.15	70
1200-1010	JB12FS-10-10	7/8-14	5/8	15.9	2.48	63.0	0.98	25.0	0.87	22.2	1.00	25.4	0.39	0.18	70
1200-1210	JB12FS-12-10	1-1/16-12	1	25.4	2.60	66.0	1.06	27.0	1.06	26.9	1.25	31.7	0.46	0.21	70
1200-1212	JB12FS-12-12	1-1/16-12	3/4	19.1	2.60	66.0	1.06	27.0	1.06	26.9	1.25	31.7	0.53	0.24	50
1200-1412	JB12FS-14-12	1-3/16-12	3/4	19.1	-	-	-	-	1.06	26.9	1.31	33.3	0.68	0.31	50
1200-1612	JB12FS-16-12	1-5/16-12	3/4	19.1	2.60	66.0	1.06	27.0	1.06	26.9	1.37	34.9	0.72	0.33	50
1200-1616	JB12FS-16-16	1-5/16-12	1	25.4	3.07	78.0	1.30	33.0	1.50	38.1	1.37	34.9	1.07	0.48	36
1200-2016	JB12FS-20-16	1-5/8-12	1	25.4	3.15	80.0	1.34	34.0	2.00	50.8	2.00	50.8	1.34	0.61	15
1200-2020	JB12FS-20-20	1-5/8-12	1-1/4	31.8	3.23	82.0	1.38	35.0	2.00	50.8	2.00	50.8	1.74	0.79	15
1200-2424	JB12FS-24-24	1-7/8-12	1-1/2	38.1	4.02	102.0	1.69	43.0	2.25	57.1	2.12	53.9	2.41	1.09	12
1200-3232	JB12FS-32-32	2-1/2-12	2	50.8	4.96	126.0	2.17	55.0	2.50	63.5	2.87	73.0	4.24	1.92	8

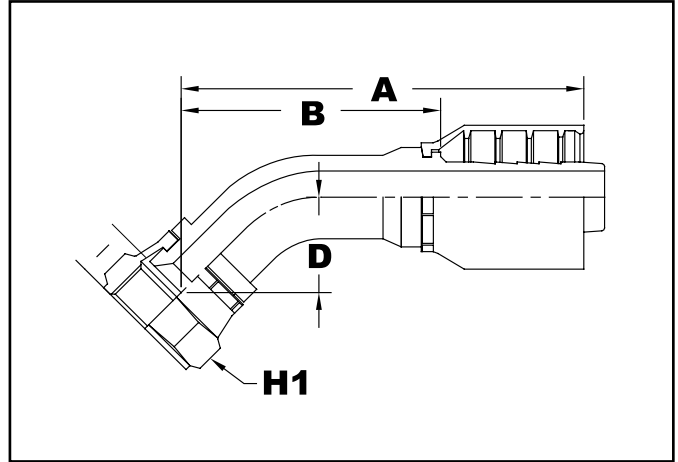
*Standard Pack is 1.

We disclaim any liability for use of our products in applications other than which they are designed.

WARNING: This product can expose you to chemicals including lead, which is known to the State of California to cause cancer, birth defects or other reproductive harm. For more information visit www.P65WARNINGS.ca.gov

1202 SERIES

JB12FS45 SERIES
Female Swivel 37° Flare - 45° Elbow



HYDRAULIC COUPLINGS - 12/JB12

Catalog Part Number	Descriptive Part Number	Thread	Hose Inside Diameter		"A" Dimension Overall Length		"B" Dimension Cut-Off Length		"D" Dimension Drop		Hex Size		Weight		Bulk Pack
			inch	mm	inch	mm	inch	mm	inch	mm	inch	mm	lbs	kg	
1202-0404	JB12FS45-04-04	7/16-20	1/4	6.4	2.17	55.0	1.34	34.0	0.51	13.0	0.56	14.2	0.12	0.05	250
1202-0504	JB12FS45-05-04	1/2-20	1/4	6.4	2.17	55.0	1.34	34.0	0.51	13.0	0.69	17.4	0.13	0.06	250
1202-0604	JB12FS45-06-04	9/16-18	1/4	6.4	2.20	56.0	1.38	35.0	0.55	14.0	0.69	17.4	0.14	0.06	250
1202-0606	JB12FS45-06-06	9/16-18	3/8	9.5	2.68	68.0	1.61	41.0	0.63	16.0	0.69	17.4	0.21	0.10	130
1202-0806	JB12FS45-08-06	3/4-16	3/8	9.5	2.68	68.0	1.61	41.0	0.63	16.0	0.87	22.2	0.25	0.11	130
1202-0808	JB12FS45-08-08	3/4-16	1/2	12.7	3.15	80.0	1.89	48.0	0.75	19.0	0.87	22.2	0.31	0.14	100
1202-1008	JB12FS45-10-08	7/8-14	1/2	12.7	3.15	80.0	1.89	48.0	0.75	19.0	1.00	25.4	0.35	0.16	80
1202-1010	JB12FS45-10-10	7/8-14	5/8	15.9	3.54	90.0	2.01	51.0	0.75	19.0	1.00	25.4	0.41	0.19	70
1202-1212	JB12FS45-12-12	1-1/16-12	3/4	19.1	4.45	113.0	2.87	73.0	1.02	26.0	1.25	31.7	0.77	0.35	50
1202-1616	JB12FS45-16-16	1-5/16-12	1	25.4	4.80	122.0	3.03	77.0	1.22	31.0	1.50	38.1	1.31	0.60	36
1202-2020	JB12FS45-20-20	1-5/8-12	1-1/4	31.8	5.91	150.0	4.06	103.0	1.57	40.0	2.00	50.8	2.20	1.00	15
1202-2424	JB12FS45-24-24	1-7/8-12	1-1/2	38.1	6.89	175.0	4.53	115.0	1.81	46.0	2.12	53.9	2.41	1.09	12
1202-3232	JB12FS45-32-32	2-1/2-12	2	50.8	8.31	211.0	5.51	140.0	2.44	62.0	2.87	73.0	4.23	1.92	8

*Standard Pack is 1.

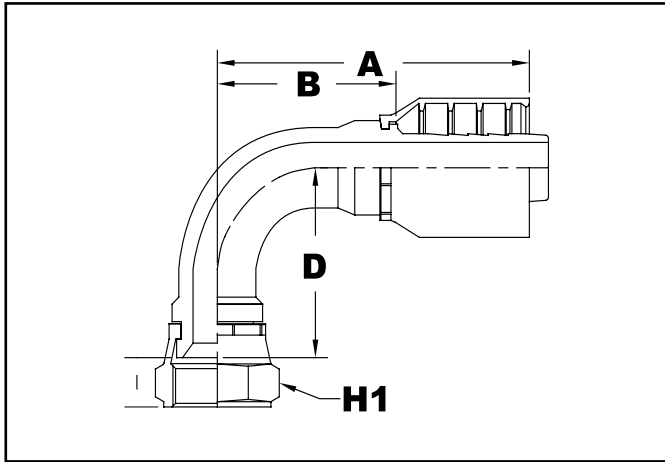
We disclaim any liability for use of our products in applications other than which they are designed.

WARNING: This product can expose you to chemicals including lead, which is known to the State of California to cause cancer, birth defects or other reproductive harm. For more information visit www.P65WARNINGS.ca.gov

JB12FS90 SERIES

Female Swivel 37° Flare - 90° Elbow

1204 SERIES



Catalog Part Number	Descriptive Part Number	Thread	Hose Inside Diameter		"A" Dimension Overall Length		"B" Dimension Cut-Off Length		"D" Dimension Drop		Hex Size		Weight		Bulk Pack
			inch	mm	inch	mm	inch	mm	inch	mm	inch	mm	H1	lbs.	
1204-0404	JB12FS90-04-04	7/16-20	1/4	6.4	2.01	51.0	1.18	30.0	0.94	24.0	0.56	14.2	0.12	0.05	200
1204-0504	JB12FS90-05-04	1/2-20	1/4	6.4	2.01	51.0	1.18	30.0	0.94	24.0	0.69	17.4	0.15	0.07	200
1204-0604	JB12FS90-06-04	9/16-18	1/4	6.4	2.01	51.0	1.18	30.0	0.98	25.0	0.69	17.4	0.14	0.06	200
1204-0406	JB12FS90-04-06	7/16-20	3/8	9.5	2.72	69.0	1.65	42.0	1.10	28.0	0.56	14.2	0.21	0.10	200
1204-0606	JB12FS90-06-06	9/16-18	3/8	9.5	2.72	69.0	1.65	42.0	1.14	29.0	0.69	17.4	0.21	0.10	110
1204-0806	JB12FS90-08-06	3/4-16	3/8	9.5	2.72	69.0	1.65	42.0	1.14	29.0	0.87	22.2	0.26	0.12	110
1204-0608	JB12FS90-06-08	9/16-18	1/2	12.7	2.76	70.0	1.50	38.0	1.22	31.0	0.69	17.4	0.25	0.11	70
1204-0808	JB12FS90-08-08	3/4-16	1/2	12.7	2.76	70.0	1.50	38.0	1.22	31.0	0.87	22.2	0.33	0.15	70
1204-1008	JB12FS90-10-08	7/8-14	1/2	12.7	2.76	70.0	1.50	38.0	1.22	31.0	1.00	25.4	0.35	0.16	70
1204-1208	JB12FS90-12-08	1-1/16-12	1/2	12.7	2.76	70.0	1.50	38.0	1.22	31.0	1.25	31.7	0.41	0.19	70
1204-1010	JB12FS90-10-10	7/8-14	5/8	15.9	2.80	71.0	1.65	42.0	1.38	35.0	1.00	25.4	0.44	0.20	70
1204-1210	JB12FS90-12-10	1-1/16-12	5/8	15.9	2.80	71.0	1.65	42.0	1.50	38.0	1.25	31.7	0.49	0.22	32
1204-1212	JB12FS90-12-12	1-1/16-12	3/4	19.1	3.98	101.0	2.40	61.0	1.97	50.0	1.25	31.7	0.83	0.38	32
1204-1612	JB12FS90-16-12	1-5/16-12	3/4	19.1	3.98	101.0	2.40	61.0	1.97	50.0	1.25	31.7	0.81	0.37	32
1204-1616	JB12FS90-16-16	1-5/16-12	1	25.4	4.96	126.0	3.19	81.0	2.44	62.0	2.50	63.5	1.49	0.68	15
1204-2020	JB12FS90-20-20	1-5/8-12	1-1/4	31.8	5.51	140.0	3.66	93.0	3.23	82.0	1.98	50.4	2.47	1.12	10
1204-2424	JB12FS90-24-24	1-7/8-12	1-1/2	38.1	5.94	151.0	3.58	91.0	3.39	86.0	2.12	53.9	3.23	1.46	7
1204-3232	JB12FS90-32-32	2-1/2-12	2	50.8	8.11	206.0	5.31	135.0	5.28	134.0	2.87	73.0	6.99	3.17	3

*Standard Pack is 1.

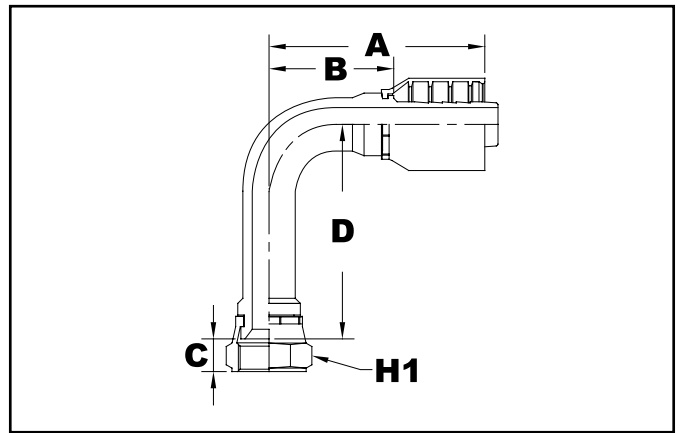
We disclaim any liability for use of our products in applications other than which they are designed.

WARNING: This product can expose you to chemicals including lead, which is known to the State of California to cause cancer, birth defects or other reproductive harm. For more information visit www.P65WARNINGS.ca.gov

1204L SERIES



**JB12FS90L SERIES
Female Swivel 37° Flare
90° Elbow Long Drop**



HYDRAULIC COUPLINGS - 12/JB12

Catalog Part Number	Descriptive Part Number	Thread	Hose Inside Diameter		"A" Dimension Overall Length		"B" Dimension Cut-Off Length		"D" Dimension Drop		Hex Size		Weight		Bulk Pack
			inch	mm	inch	mm	inch	mm	inch	mm	inch	mm	lbs.	kg	qty
1204L-0404	JB12FS90L-04-04	7/16-20	1/4	6.4	2.01	51.0	1.18	30.0	1.81	46.0	0.56	14.2	0.13	0.06	200
1204L-0504	JB12FS90L-05-04	1/2-20	1/4	6.4	2.01	51.0	1.18	30.0	1.81	46.0	0.69	17.4	0.15	0.07	200
1204L-0604	JB12FS90L-06-04	9/16-18	1/4	6.4	1.89	48.0	1.07	27.2	2.17	55	0.69	17.46	0.15	0.07	200
1204L-0606	JB12FS90L-06-06	9/16-18	3/8	9.5	2.72	69.0	1.65	42.0	2.17	55.0	0.69	17.4	0.24	0.11	110
1204L-0806	JB12FS90L-08-06	3/4-16	3/8	9.5	2.72	69.0	1.65	42.0	2.44	62.0	0.87	22.2	0.26	0.12	110
1204L-0808	JB12FS90L-08-08	3/4-16	1/2	12.7	2.76	70.0	1.50	38.0	2.44	62.0	0.87	22.2	0.35	0.16	70
1204L-1008	JB12FS90L-10-08	7/8-14	1/2	12.7	2.76	70.0	1.50	38.0	2.56	65.0	1.00	25.4	0.37	0.17	70
1204L-1010	JB12FS90L-10-10	7/8-14	5/8	15.9	2.80	71.0	1.65	42.0	2.56	65.0	1.00	25.4	0.57	0.26	50
1204L-1212	JB12FS90L-12-12	1-1/16-12	3/4	19.1	3.98	101.0	2.40	61.0	3.74	95.0	1.25	31.7	1.01	0.46	28
1204L-1412	JB12FS90L-14-12	1-5/16-12	3/4	19.1	3.67	93.3	2.13	54.0	3.78	96	1.38	35	0.88	0.4	28
1204L-1616	JB12FS90L-16-16	1-5/16-12	1	25.4	4.96	126.0	3.19	81.0	4.33	110.0	1.50	38.1	1.68	0.76	12
1204L-2020	JB12FS90L-20-20	1-5/8-12	1-1/4	31.8	5.51	140.0	3.66	93.0	5.28	134.0	2.00	50.8	2.91	1.32	8
1204L-2424	JB12FS90L-24-24	1-7/8-12	1-1/2	38.1	6.34	161.1	4.00	101.6	5.55	141.0	2.17	55	3.92	1.78	5

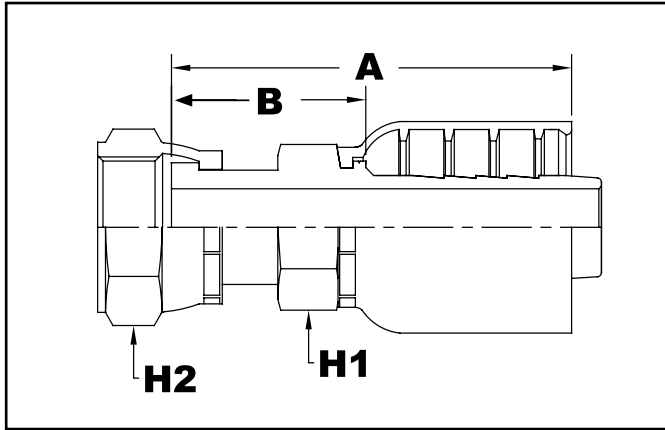
*Standard Pack is 1.

We disclaim any liability for use of our products in applications other than which they are designed.

WARNING: This product can expose you to chemicals including lead, which is known to the State of California to cause cancer, birth defects or other reproductive harm. For more information visit www.P65WARNINGS.ca.gov

JB12OFS SERIES Female O-Ring Face Seal Straight

1205 SERIES



Catalog Part Number	Descriptive Part Number	Thread	Hose Inside Diameter		"A" Dimension Overall Length		"B" Dimension Cut-Off Length		Hex Sizes				Weight		Bulk Pack qty
			inch	mm	inch	mm	inch	mm	H1		H2		lbs.	kg	
									inch	mm	inch	mm			
1205-0404	JB12OFS-04-04	9/16-18	1/4	6.4	1.89	48.0	1.10	28.0	0.56	14.2	0.69	17.4	0.03	0.07	250
1205-0604	JB12OFS-06-04	11/16-16	1/4	6.4	1.97	50.0	1.18	30.0	0.69	17.4	0.81	20.6	0.03	0.07	250
1205-0804	JB12OFS-08-04	13/16-16	1/4	6.4	2.09	53.0	1.30	33.0	0.69	17.4	0.94	23.8	0.02	0.05	250
1205-0606	JB12OFS-06-06	11/16-16	3/8	9.5	2.20	56.0	1.14	29.0	0.69	17.4	0.81	20.6	0.04	0.10	130
1205-0806	JB12OFS-08-06	13/16-16	3/8	9.5	2.32	59.0	1.26	32.0	0.69	17.4	0.94	23.8	0.05	0.11	130
1205-0608	JB12OFS-06-08	11/16-16	1/2	12.7	2.36	60.0	1.14	29.0	0.81	20.6	0.81	20.6	0.03	0.07	80
1205-0808	JB12OFS-08-08	13/16-16	1/2	12.7	2.48	63.0	1.26	32.0	0.81	20.6	0.94	23.8	0.07	0.16	80
1205-1008	JB12OFS-10-08	1-14	1/2	12.7	2.76	70.0	1.54	39.0	0.81	20.6	1.12	28.5	0.07	0.16	80
1205-1208	JB12OFS-12-08	1-3/16-12	1/2	12.7	2.87	73.0	1.65	42.0	0.94	23.8	1.37	34.9	0.14	0.30	50
1205-0810	JB12OFS-08-10	13/16-16	5/8	15.9	2.76	70.0	1.26	32.0	0.94	23.8	0.94	23.8	0.06	0.14	70
1205-1010	JB12OFS-10-10	1-14	5/8	15.9	2.76	70.0	1.54	39.0	0.81	20.6	1.12	28.5	0.10	0.23	60
1205-1210	JB12OFS-12-10	1-3/16-12	5/8	15.9	3.15	80.0	1.65	42.0	1.00	25.4	1.37	34.9	0.15	0.34	70
1205-1012	JB12OFS-10-12	1-14	3/4	19.1	3.07	78.0	1.54	39.0	1.06	26.9	1.12	28.5	0.05	0.12	50
1205-1212	JB12OFS-12-12	1-3/16-12	3/4	19.1	3.15	80.0	1.61	41.0	1.12	28.5	1.37	34.9	0.15	0.32	50
1205-1612	JB12OFS-16-12	1-7/16-12	3/4	19.1	3.23	82.0	1.69	43.0	1.25	31.7	1.62	41.2	0.17	0.38	50
1205-1616	JB12OFS-16-16	1-7/16-12	1	25.4	3.54	90.0	1.77	45.0	1.37	34.9	1.62	41.2	0.22	0.49	36
1205-2016	JB12OFS-20-16	1-11/16-12	1	25.4	3.07	78.0	1.30	33.0	1.37	34.9	1.87	47.6	0.28	0.62	15
1205-1620	JB12OFS-16-20	1-7/16-12	1-1/4	31.8	3.58	91.0	1.73	44.0	1.75	44.4	1.62	41.2	0.35	0.78	15
1205-2020	JB12OFS-20-20	1-11/16-12	1-1/4	31.8	3.39	86.0	1.54	39.0	1.75	44.4	1.87	47.6	0.38	0.84	15
1205-2420	JB12OFS-24-20	2-12	1-1/4	31.8	3.46	88.0	1.61	41.0	1.75	44.4	2.25	57.1	0.44	0.98	12
1205-2424	JB12OFS-24-24	2-12	1-1/2	38.1	3.94	100.0	1.61	41.0	1.87	47.6	2.25	57.1	0.52	1.15	12

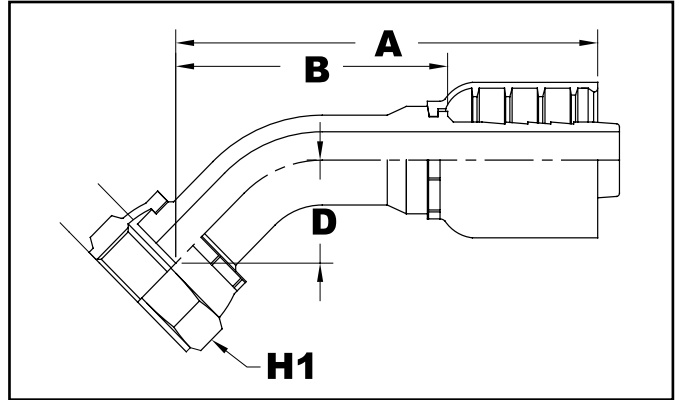
*Standard Pack is 1.

We disclaim any liability for use of our products in applications other than which they are designed.

WARNING: This product can expose you to chemicals including lead, which is known to the State of California to cause cancer, birth defects or other reproductive harm. For more information visit www.P65WARNINGS.ca.gov

1207 SERIES

**JB120FS45 SERIES
Female O-Ring Face Seal - 45° Elbow**



HYDRAULIC COUPLINGS - 12/JB12

Catalog Part Number	Descriptive Part Number	Thread	Hose Inside Diameter		"A" Dimension Overall Length		"B" Dimension Cut-Off Length		"D" Dimension Drop		Hex Sizes		Weight		Bulk Pack
					inch	mm	inch	mm	inch	mm	inch	mm	lbs.	kg	
1207-0404	JB120FS45-04-04	9/16-18	1/4	6.4	2.17	55.0	1.34	34.0	0.51	13.0	0.69	17.4	0.14	0.06	250
1207-0604	JB120FS45-06-04	11/16-16	1/4	6.4	2.20	56.0	1.38	35.0	0.55	14.0	0.81	20.6	0.15	0.07	130
1207-0804	JB120FS45-08-04	13/16-16	1/4	6.4	2.28	58.0	1.46	37.0	0.63	16.0	0.94	23.8	0.11	0.05	250
1207-0605	JB120FS45-06-05	11/16-16	5/16	7.9	2.20	56.0	1.38	35.0	0.55	14.0	0.81	20.6	0.11	0.05	200
1207-0406	JB120FS45-04-06	9/16-18	3/8	9.5	2.64	67.0	1.57	40.0	0.59	15.0	0.69	17.4	0.11	0.05	130
1207-0606	JB120FS45-06-06	11/16-16	3/8	9.5	2.68	68.0	1.61	41.0	0.63	16.0	0.81	20.6	0.22	0.10	130
1207-0806	JB120FS45-08-06	13/16-16	3/8	9.5	2.76	70.0	1.61	41.0	0.67	17.0	0.81	20.6	0.25	0.11	130
1207-0608	JB120FS45-06-08	11/16-16	1/2	12.7	3.23	82.0	1.77	45.0	0.83	21.0	0.94	23.8	0.15	0.07	130
1207-0808	JB120FS45-08-08	13/16-16	1/2	12.7	3.27	83.0	1.97	50.0	0.83	21.0	0.94	23.8	0.36	0.16	80
1207-1008	JB120FS45-10-08	1-14	1/2	12.7	3.23	82.0	2.01	51.0	0.79	20.0	1.12	28.5	0.39	0.18	80
1207-1208	JB120FS45-12-08	1-3/16-12	1/2	12.7	3.23	82.0	1.97	50.0	0.79	20.0	1.37	34.9	0.26	0.12	80
1207-0810	JB120FS45-08-10	13/16-12	5/8	15.9	3.62	92.0	2.09	53.0	0.79	20.0	1.29	32.8	0.18	0.08	70
1207-1010	JB120FS45-10-10	1-14	5/8	15.9	3.66	93.0	2.13	54.0	0.83	21.0	1.12	28.5	0.52	0.24	70
1207-1210	JB120FS45-12-10	1-3/16-12	5/8	15.9	3.62	92.0	2.09	53.0	0.79	20.0	1.37	34.9	0.28	0.13	50
1207-1012	JB120FS45-10-12	1-14	3/4	19.1	4.57	116.0	2.99	76.0	1.14	29.0	1.12	28.5	0.26	0.12	32
1207-1212	JB120FS45-12-12	1-3/16-12	3/4	19.1	4.53	115.0	2.95	75.0	1.10	28.0	1.37	34.9	0.91	0.41	32
1207-1612	JB120FS45-16-12	1-7/16-12	3/4	19.1	4.76	121.0	2.99	76.0	1.18	30.0	1.62	41.2	0.77	0.35	32
1207-1216	JB120FS45-12-16	1-3/16-12	1	25.4	4.76	121.0	2.99	76.0	1.18	30.0	1.37	34.9	0.46	0.21	18
1207-1616	JB120FS45-16-16	1-7/16-12	1	25.4	4.76	121.0	2.99	76.0	1.14	29.0	1.62	41.2	1.29	0.58	18
1207-2016	JB120FS45-20-16	1-11/16-12	1	25.4	4.88	124.0	3.11	79.0	1.30	33.0	1.87	47.6	1.62	0.74	10
1207-1620	JB120FS45-16-20	1-7/16-12	1-1/4	31.8	5.79	147.0	3.94	100.0	1.46	37.0	1.87	47.6	1.72	0.78	12
1207-2020	JB120FS45-20-20	1-11/16-12	1-1/4	31.8	5.91	150.0	4.06	103.0	1.57	40.0	1.62	41.2	2.24	1.02	10
1207-2420	JB120FS45-24-20	2-12	1-1/4	31.8	5.94	151.0	4.09	104.0	1.61	41.0	2.25	57.1	2.38	1.08	10
1207-2424	JB120FS45-24-24	2-12	1-1/2	38.1	6.85	174.0	4.49	114.0	1.77	45.0	2.25	57.1	2.50	1.14	7

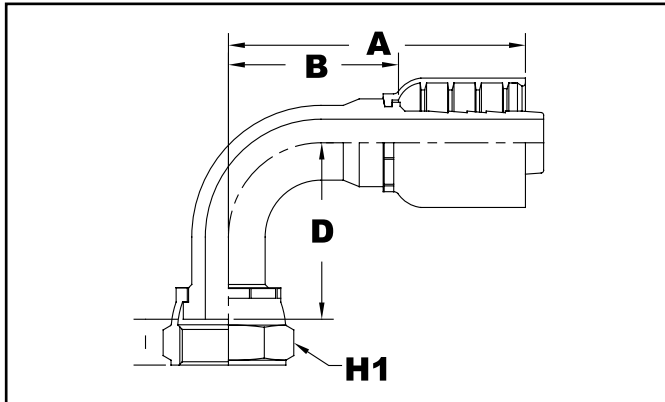
*Standard Pack is 1.

We disclaim any liability for use of our products in applications other than which they are designed.

WARNING: This product can expose you to chemicals including lead, which is known to the State of California to cause cancer, birth defects or other reproductive harm. For more information visit www.P65WARNINGS.ca.gov

JB12OFS90 SERIES Female O-Ring Face Seal - 90° Elbow

1209 SERIES



Catalog Part Number	Descriptive Part Number	Thread	Hose Inside Diameter		"A" Dimension Overall Length		"B" Dimension Cut-Off Length		"D" Dimension Drop		Hex Size H1		Weight		Bulk Pack qty
			inch	mm	inch	mm	inch	mm	inch	mm	inch	mm	lbs.	kg	
1209-0404	JB12OFS90-04-04	9/16-18	1/4	6.4	2.01	51.0	1.18	30.0	0.94	24.0	0.69	17.4	0.15	0.07	200
1209-0604	JB12OFS90-06-04	11/16-16	1/4	6.4	2.01	51.0	1.18	30.0	1.02	26.0	0.81	20.6	0.17	0.08	250
1209-0804	JB12OFS90-08-04	13/16-16	1/4	6.4	2.01	51.0	1.18	30.0	1.10	28.0	0.94	23.8	0.11	0.05	70
1209-0605	JB12OFS90-06-05	11/16-16	5/16	7.9	2.01	51.0	1.18	30.0	1.02	26.0	0.81	20.6	0.11	0.05	110
1209-0406	JB12OFS90-04-06	9/16-18	3/8	9.5	2.72	69.0	1.65	42.0	0.98	25.0	0.69	17.4	0.11	0.05	110
1209-0606	JB12OFS90-06-06	11/16-16	3/8	9.5	2.72	69.0	1.65	42.0	1.02	26.0	0.81	20.6	0.23	0.11	110
1209-0806	JB12OFS90-08-06	13/16-16	3/8	9.5	2.72	69.0	1.65	42.0	1.10	28.0	0.94	23.8	0.31	0.14	100
1209-0608	JB12OFS90-06-08	11/16-16	1/2	12.7	2.76	70.0	1.50	38.0	1.10	28.0	0.81	20.6	0.15	0.07	110
1209-0808	JB12OFS90-08-08	13/16-16	1/2	12.7	2.76	70.0	1.50	38.0	1.18	30.0	0.94	23.8	0.36	0.16	70
1209-1008	JB12OFS90-10-08	1-14	1/2	12.7	2.76	70.0	1.50	38.0	1.22	31.0	1.12	28.5	0.39	0.18	70
1209-1208	JB12OFS90-12-08	1-3/16-12	1/2	12.7	2.76	70.0	1.50	38.0	1.18	30.0	1.37	34.9	0.56	0.26	50
1209-0810	JB12OFS90-08-10	13/16-12	5/8	15.9	2.80	71.0	1.65	42.0	1.46	37.0	0.94	23.8	0.40	0.18	70
1209-1010	JB12OFS90-10-10	1-14	5/8	15.9	2.80	71.0	1.65	42.0	1.50	38.0	1.12	28.5	0.47	0.22	70
1209-1210	JB12OFS90-12-10	1-3/16-12	5/8	15.9	2.80	71.0	1.65	42.0	1.46	37.0	1.37	34.9	0.57	0.26	50
1209-1012	JB12OFS90-10-12	1-14	3/4	19.1	3.98	101.0	2.40	61.0	1.97	50.0	1.37	34.9	0.26	0.12	32
1209-1212	JB12OFS90-12-12	1-3/16-12	3/4	19.1	3.98	101.0	2.40	61.0	1.93	49.0	1.62	41.2	0.99	0.45	32
1209-1612	JB12OFS90-16-12	1-7/16-12	3/4	19.1	3.98	101.0	2.40	61.0	1.93	49.0	1.37	34.9	0.87	0.40	32
1209-1216	JB12OFS90-12-16	1-3/16-12	1	25.4	4.96	126.0	3.19	81.0	2.24	57.0	1.37	34.9	0.93	0.42	15
1209-1616	JB12OFS90-16-16	1-7/16-12	1	25.4	4.96	126.0	3.19	81.0	2.24	57.0	1.62	41.2	1.51	0.68	10
1209-2016	JB12OFS90-20-16	1-11/16-12	1	25.4	4.96	126.0	3.19	81.0	2.36	60.0	1.87	47.6	0.63	0.29	10
1209-1620	JB12OFS90-16-20	1-7/16-12	1-1/4	31.8	5.51	140.0	3.66	93.0	2.91	74.0	1.62	41.2	0.62	0.28	10
1209-2020	JB12OFS90-20-20	1-11/16-12	1-1/4	31.8	5.51	140.0	3.66	93.0	3.03	77.0	1.87	47.6	2.48	1.13	10
1209-2420	JB12OFS90-24-20	2-12	1-1/4	31.8	5.51	140.0	3.66	93.0	3.03	77.0	2.25	57.1	2.54	1.15	7
1209-2424	JB12OFS90-24-24	2-12	1-1/2	38.1	5.94	151.0	3.58	91.0	3.15	80.0	2.25	57.1	3.42	1.55	7

*Standard Pack is 1.

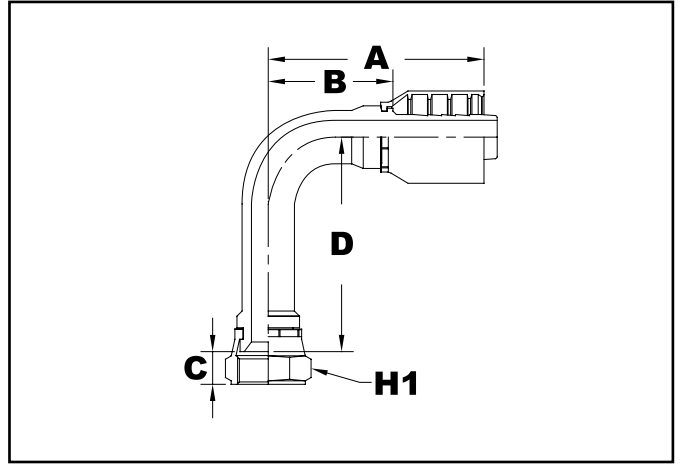
We disclaim any liability for use of our products in applications other than which they are designed.

WARNING: This product can expose you to chemicals including lead, which is known to the State of California to cause cancer, birth defects or other reproductive harm. For more information visit www.P65WARNINGS.ca.gov

1209L SERIES



**JB12OFS90L SERIES
Female O-Ring Face Seal
90° Elbow - Long Drop**



Catalog Part Number	Descriptive Part Number	Thread	Hose Inside Diameter		"A" Dimension Overall Length		"B" Dimension Cut-Off Length		"D" Dimension Drop		Hex Size		Weight		Bulk Pack
			inch	mm	inch	mm	inch	mm	inch	mm	inch	mm			
1209L-0404	JB12OFS90L-04-04	9/16-18	1/4	6.4	2.01	51.0	1.18	30.0	1.81	46.0	0.56	14.2	0.15	0.07	200
1209L-0606	JB12OFS90L-06-06	11/16-16	3/8	9.5	2.72	69.0	1.65	42.0	2.17	55.0	0.69	17.4	0.26	0.12	110
1209L-0808	JB12OFS90L-08-08	13/16-16	1/2	12.7	2.76	70.0	1.50	38.0	2.44	62.0	0.87	22.3	0.35	0.16	70
1209L-1010	JB12OFS90L-10-10	1-14	5/8	15.9	2.80	71.0	1.65	42.0	2.56	65.0	1.00	25.4	0.62	0.28	50
1209L-1212	JB12OFS90L-12-12	1-3/16-12	3/4	19.1	3.98	101.0	2.40	61.0	3.74	95.0	1.25	21.7	0.86	0.39	28
1209L-1616	JB12OFS90L-16-16	1-7/16-12	1	25.4	4.96	126.0	3.19	81.0	4.33	110.0	1.50	38.1	1.72	0.78	12

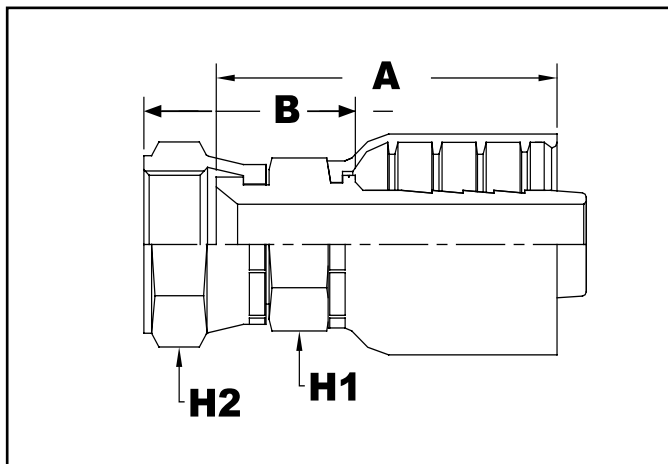
*Standard Pack is 1.

We disclaim any liability for use of our products in applications other than which they are designed.

WARNING: This product can expose you to chemicals including lead, which is known to the State of California to cause cancer, birth defects or other reproductive harm. For more information visit www.P65WARNINGS.ca.gov

JB12FA SERIES Female Swivel - SAE 45° Flare

1210 SERIES



Catalog Part Number	Descriptive Part Number	Thread	Hose Inside Diameter		"A" Dimension Overall Length		"B" Dimension Cut-Off Length		"D" Dimension Drop		Hex Sizes				Weight		Bulk Pack	
			inch	mm	inch	mm	inch	mm	inch	mm	H1		H2		lbs.	kg		qty
											inch	mm	inch	mm				
1210-0404	JB12FA-04-04	7/16-20	1/4	6.4	1.61	41.0	0.83	21.0	-	-	0.56	14.2	0.56	14.2	0.12	.05	250	
1210-0606	JB12FA-06-06	5/8-18	3/8	9.5	1.97	50.0	0.91	23.0	-	-	0.69	17.4	0.69	17.4	0.19	.09	130	
1210-0808	JB12FA-08-08	3/4-16	1/2	12.7	2.13	54.0	0.91	23.0	-	-	0.87	22.2	0.87	22.2	0.29	.13	100	
1210-1212	JB12FA-12-12	1-1/16-14	3/4	19.1	2.60	66.0	1.06	27.0	-	-	1.06	26.9	1.25	31.7	0.54	.25	50	
1210-1616	JB12FA-16-16	1-5/16-12	1	25.4	3.07	78.0	1.30	33.0	-	-	1.50	38.1	1.34	34.0	0.93	.42	36	

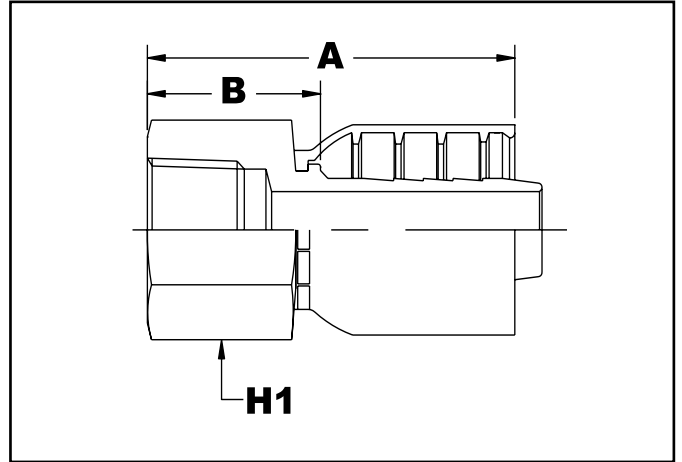
*Standard Pack is 1.

We disclaim any liability for use of our products in applications other than which they are designed.

WARNING: This product can expose you to chemicals including lead, which is known to the State of California to cause cancer, birth defects or other reproductive harm. For more information visit www.P65WARNINGS.ca.gov

1215 SERIES

**JB12FP SERIES
Female Pipe Rigid NPTF**



HYDRAULIC COUPLINGS - 12/JB12

Catalog Part Number	Descriptive Part Number	Thread	Hose Inside Diameter		"A" Dimension Overall Length		"B" Dimension Cut-Off Length		"D" Dimension Drop		Hex Sizes				Weight		Bulk Pack qty
			inch	mm	inch	mm	inch	mm	inch	mm	H1		H2		lbs	kg	
											inch	mm	inch	mm			
1215-0404	JB12FP-04-04	1/4-18	1/4	6.4	1.74	44.3	0.93	23.5	-	-	0.75	19.0	-	-	0.14	.06	250
1215-0604	JB12FP-06-04	3/8-18	1/4	6.4	1.90	48.3	1.08	27.5	-	-	0.87	22.0	-	-	0.13	.06	200
1215-0406	JB12FP-04-06	1/4-18	3/8	9.5	1.90	48.3	1.08	27.5	-	-	0.87	22.0	-	-	0.19	.09	180
1215-0606	JB12FP-06-06	3/8-18	3/8	9.5	2.17	55.0	1.10	28.0	-	-	0.87	22.0	-	-	0.21	.10	130
1215-0808	JB12FP-08-08	1/2-14	1/2	12.7	2.50	63.5	1.24	31.5	-	-	1.06	27.0	-	-	0.32	.15	100
1215-1212	JB12FP-12-12	3/4-14	3/4	19.1	2.93	74.3	1.38	35.0	-	-	1.42	36.0	-	-	0.65	.30	50
1215-1616	JB12FP-16-16	1-11.5	1	25.4	3.48	88.5	1.73	44.0	-	-	1.61	41.0	-	-	1.01	.46	36

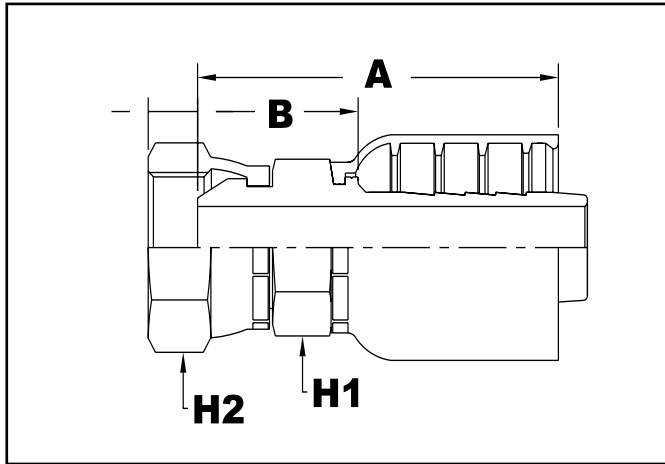
*Standard Pack is 1.

We disclaim any liability for use of our products in applications other than which they are designed.

⚠ WARNING: This product can expose you to chemicals including lead, which is known to the State of California to cause cancer, birth defects or other reproductive harm. For more information visit www.P65WARNINGS.ca.gov

JB12FPS SERIES
Female Pipe Swivel NPTF

1216 SERIES



Catalog Part Number	Descriptive Part Number	Thread	Hose Inside Diameter		"A" Dimension Overall Length		"B" Dimension Cut-Off Length		"D" Dimension Drop		Hex Sizes				Weight		Bulk Pack
											H1		H2				
			inch	mm	inch	mm	inch	mm	inch	mm	inch	mm	inch	mm	lbs.	kg	
1216-0404	JB12FPS-04-04	1/4-18	1/4	6.4	1.77	44.9	0.95	24.1	-	-	0.75	19	-	-	0.15	0.07	250
1216-0606	JB12FPS-06-06	3/8-18	3/8	9.5	2.06	52.2	0.99	25.2	-	-	0.87	22	-	-	0.24	0.11	130
1216-0808	JB12FPS-08-08	1/2-14	1/2	12.7	2.30	58.5	1.04	26.5	-	-	1.06	27	-	-	0.37	0.17	80
1216-1212	JB12FPS-12-12	3/4-14	3/4	19.1	2.79	70.9	1.24	31.6	-	-	1.26	32	-	-	0.62	0.28	50
1216-1616	JB12FPS-16-16	1-11.5	1	25.4	3.17	80.6	1.42	36.1	-	-	1.42	36	-	-	1.06	0.48	36

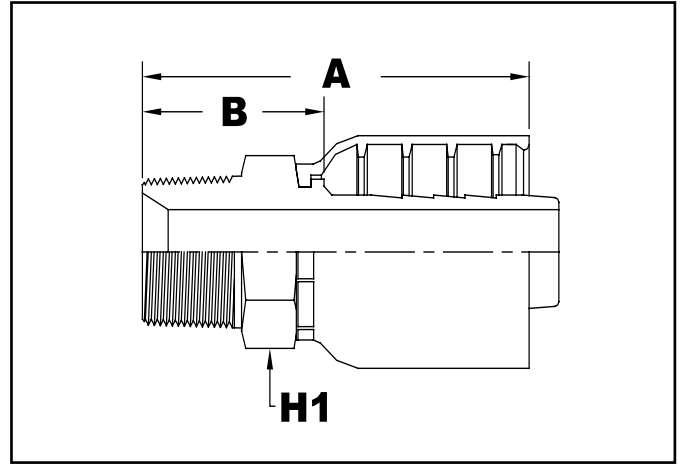
*Standard Pack is 1.

We disclaim any liability for use of our products in applications other than which they are designed.

WARNING: This product can expose you to chemicals including lead, which is known to the State of California to cause cancer, birth defects or other reproductive harm. For more information visit www.P65WARNINGS.ca.gov

1220 SERIES

**JB12MP SERIES
Male Pipe Rigid NPTF**



HYDRAULIC COUPLINGS - 12/JB12

Catalog Part Number	Descriptive Part Number	Thread	Hose Inside Diameter		"A" Dimension Overall Length		"B" Dimension Cut-Off Length		"D" Dimension Drop		Hex Sizes				Weight		Bulk Pack qty
			inch	mm	inch	mm	inch	mm	inch	mm	H1		H2		lbs.	kg	
											inch	mm	inch	mm			
1220-0204	JB12MP-02-04	1/8-27	1/4	6.4	1.81	46.0	1.02	26.0	-	-	0.56	14.2	-	-	0.10	0.04	250
1220-0404	JB12MP-04-04	1/4-18	1/4	6.4	1.81	46.0	1.02	26.0	-	-	0.56	14.2	-	-	0.11	0.05	250
1220-0604	JB12MP-06-04	3/8-18	1/4	6.4	1.93	49.0	1.14	29.0	-	-	0.75	19.0	-	-	0.14	0.06	200
1220-0804	JB12MP-08-04	1/2-14	1/4	6.4	2.05	52.0	1.26	32.0	-	-	0.87	22.2	-	-	0.19	0.08	200
1220-0405	JB12MP-04-05	1/4-18	5/16	7.9	1.93	49.0	1.06	27.0	-	-	0.69	17.4	-	-	0.11	0.05	250
1220-0605	JB12MP-06-05	3/8-18	5/16	7.9	2.01	51.0	1.14	29.0	-	-	0.69	17.4	-	-	0.11	0.05	130
1220-0406	JB12MP-04-06	1/4-18	3/8	9.5	2.13	54.0	1.06	27.0	-	-	0.69	17.4	-	-	0.17	0.08	180
1220-0606	JB12MP-06-06	3/8-18	3/8	9.5	2.20	56.0	1.14	29.0	-	-	0.69	17.4	-	-	0.18	0.08	180
1220-0806	JB12MP-08-06	1/2-14	3/8	9.5	2.32	59.0	1.26	32.0	-	-	0.87	22.2	-	-	0.23	0.11	100
1220-0608	JB12MP-06-08	3/8-18	1/2	12.7	2.13	54.0	1.06	27.0	-	-	0.87	22.2	-	-	0.22	0.10	100
1220-0808	JB12MP-08-08	1/2-14	1/2	12.7	2.48	63.0	1.30	33.0	-	-	0.87	22.2	-	-	0.28	0.13	100
1220-1208	JB12MP-12-08	3/4-14	1/2	12.7	2.48	63.0	1.26	32.0	-	-	1.06	26.9	-	-	0.36	0.17	100
1220-0610	JB12MP-06-10	3/8-18	5/8	15.9	2.64	67.0	1.06	27.0	-	-	0.94	23.8	-	-	0.26	0.12	100
1220-0810	JB12MP-08-10	1/2-14	5/8	15.9	2.76	70.0	1.30	33.0	-	-	0.94	23.8	-	-	0.35	0.16	80
1220-1210	JB12MP-12-10	3/4-14	5/8	15.9	2.76	70.0	1.26	32.0	-	-	1.06	26.9	-	-	0.43	0.19	60
1220-0812	JB12MP-08-12	1/2-14	3/4	19.1	2.80	71.0	1.26	32.0	-	-	1.06	26.9	-	-	0.43	0.20	80
1220-1212	JB12MP-12-12	3/4-14	3/4	19.1	2.91	74.0	1.38	35.0	-	-	1.06	26.9	-	-	0.50	0.23	50
1220-1612	JB12MP-16-12	1-11.5	3/4	19.1	3.11	79.0	1.57	40.0	-	-	1.37	34.9	-	-	0.63	0.28	50
1220-1216	JB12MP-12-16	3/4-14	1	25.4	3.19	81.0	1.42	36.0	-	-	1.37	34.9	-	-	0.81	0.37	50
1220-1616	JB12MP-16-16	1-11.5	1	25.4	3.43	87.0	1.61	41.0	-	-	1.37	34.9	-	-	0.88	0.40	36
1220-2016	JB12MP-20-16	1-1/4-11.5	1-1/4	25.4	3.57	90.6	1.81	46.1	-	-	1.81	46	-	-	1.21	0.55	30
1220-2020	JB12MP-20-20	1-1/4-11.5	1-1/4	31.8	3.78	96.0	1.93	49.0	-	-	1.69	42.8	-	-	1.14	0.52	15
1220-2424	JB12MP-24-24	1-1/2-11.5	1-1/2	38.1	4.29	109.0	1.97	50.0	-	-	2.00	50.8	-	-	2.08	0.95	15
1220-3232	JB12MP-32-32	2-11.5	2	50.8	5.08	129.0	2.20	56.0	-	-	2.50	63.5	-	-	3.48	1.58	8

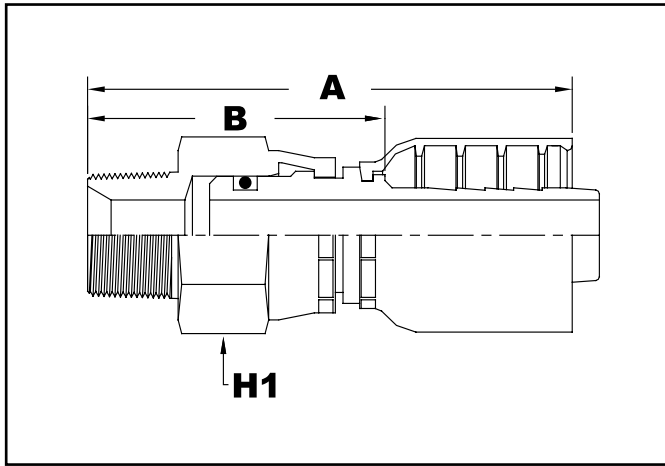
*Standard Pack is 1.

We disclaim any liability for use of our products in applications other than which they are designed.

WARNING: This product can expose you to chemicals including lead, which is known to the State of California to cause cancer, birth defects or other reproductive harm. For more information visit www.P65WARNINGS.ca.gov

JB12MS SERIES Male Pipe Swivel NPTF

1223 SERIES



Catalog Part Number	Descriptive Part Number	Thread	Hose Inside Diameter		"A" Dimension Overall Length		"B" Dimension Cut-Off Length		"D" Dimension Drop		Hex Sizes				Weight		Bulk Pack
			inch	mm	inch	mm	inch	mm	inch	mm	H1		H2		lbs.	kg	
1223-0404	JB12MS-04-04	1/4-18	1/4	6.4	2.28	58.0	1.46	37.0	-	-	0.69	17.4	-	-	0.16	0.074	250
1223-0606	JB12MS-06-06	3/8-18	3/8	9.5	2.80	71.0	1.73	44.0	-	-	0.87	22.2	-	-	0.28	0.127	130
1223-0806	JB12MS-08-06	1/2-14	3/8	9.5	2.99	76.0	1.93	49.0	-	-	1.00	25.4	-	-	0.35	0.157	100
1223-0608	JB12MS-06-08	3/8-18	1/2	12.7	2.99	76.0	1.73	44.0	-	-	0.87	22.2	-	-	0.33	0.149	80
1223-0808	JB12MS-08-08	1/2-14	1/2	12.7	3.15	80.0	1.93	49.0	-	-	1.00	25.4	-	-	0.39	0.175	100
1223-1212	JB12MS-12-12	3/4-14	3/4	19.1	3.94	100.0	2.40	61.0	-	-	1.37	34.9	-	-	0.94	0.426	50
1223-1616	JB12MS-16-16	1-11.5	1	25.4	4.65	118.1	2.87	72.8	-	-	1.50	38.1	-	-	1.21	0.548	36

Note: Not for use as a live swivel. For installation only.

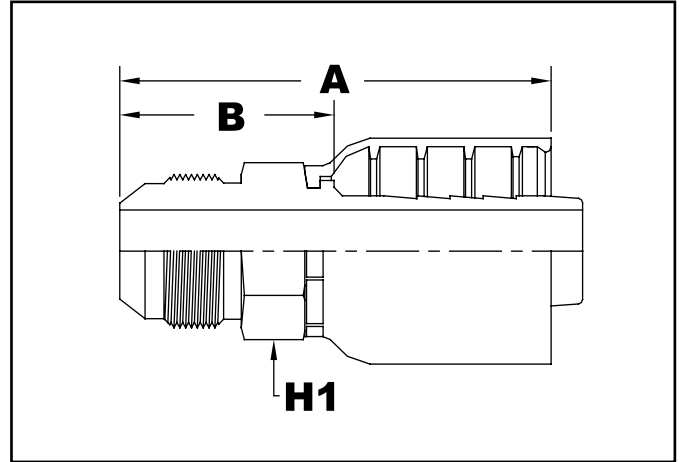
*Standard Pack is 1.

We disclaim any liability for use of our products in applications other than which they are designed.

WARNING: This product can expose you to chemicals including carbon black, which is known to the State of California to cause cancer, birth defects or other reproductive harm. For more information visit www.P65WARNINGS.ca.gov

1225 SERIES

**JB12MJ SERIES
Male JIC - 37°**



HYDRAULIC COUPLINGS - 12/JB12

Catalog Part Number	Descriptive Part Number	Thread	Hose Inside Diameter		"A" Dimension Overall Length		"B" Dimension Cut-Off Length		"D" Dimension Drop		Hex Sizes				Weight		Bulk Pack qty
			in.	mm	in.	mm	in.	mm	in.	mm	H1		H2		lbs.	kg	
											inch	mm	in.	mm			
1225-0404	JB12MJ-04-04	7/16-20	1/4	6.4	1.81	46.0	1.02	26.0	-	-	0.56	14.2	-	-	0.10	0.04	250
1225-0504	JB12MJ-05-04	1/2-20	1/4	6.4	1.81	46.0	1.02	26.0	-	-	0.56	14.2	-	-	0.12	0.05	250
1225-0604	JB12MJ-06-04	9/16-18	1/4	6.4	1.85	47.0	1.06	27.0	-	-	0.69	17.4	-	-	0.12	0.05	250
1225-0506	JB12MJ-05-06	1/2-20	3/8	9.5	2.13	54.0	1.06	27.0	-	-	0.75	19.0	-	-	0.17	0.08	200
1225-0606	JB12MJ-06-06	9/16-18	3/8	9.5	2.13	54.0	1.06	27.0	-	-	0.75	19.0	-	-	0.19	0.09	130
1225-0806	JB12MJ-08-06	3/4-16	3/8	9.5	2.24	57.0	1.18	30.0	-	-	0.87	22.2	-	-	0.21	0.10	130
1225-1006	JB12MJ-10-06	7/8-14	3/8	9.5	2.32	59.0	1.26	32.0	-	-	0.94	23.8	-	-	0.26	0.12	130
1225-0808	JB12MJ-08-08	3/4-16	1/2	12.7	2.40	61.0	1.18	30.0	-	-	0.87	22.2	-	-	0.28	0.13	100
1225-1008	JB12MJ-10-08	7/8-14	1/2	12.7	2.48	63.0	1.26	32.0	-	-	0.94	23.8	-	-	0.28	0.13	80
1225-1208	JB12MJ-12-08	1-1/16-12	1/2	12.7	2.72	69.0	1.50	38.0	-	-	1.12	28.5	-	-	0.38	0.17	80
1225-1010	JB12MJ-10-10	7/8-14	5/8	15.9	2.80	71.0	1.30	33.0	-	-	0.94	23.8	-	-	0.33	0.19	70
1225-1210	JB12MJ-12-10	1-1/16-12	5/8	15.9	2.99	76.0	1.50	38.0	-	-	1.12	28.5	-	-	0.45	0.21	70
1225-1212	JB12MJ-12-12	1-1/16-12	3/4	19.1	3.07	78.0	1.54	39.0	-	-	1.12	28.5	-	-	0.50	0.23	50
1225-1612	JB12MJ-16-12	1-5/16-12	3/4	25.4	3.11	79.0	1.57	40.0	-	-	1.37	34.9	-	-	0.60	0.27	50
1225-1616	JB12MJ-16-16	1-5/16-12	1	25.4	3.35	85.0	1.57	40.0	-	-	1.37	34.9	-	-	0.88	0.40	36
1225-2016	JB12MJ-20-16	1-5/8-12	1	25.4	3.35	85.0	1.57	40.0	-	-	1.37	34.9	-	-	1.14	0.52	15
1225-2020	JB12MJ-20-20	1-5/8-12	1-1/4	31.8	3.58	91.0	1.73	44.0	-	-	1.87	47.6	-	-	1.41	0.64	15
1225-2420	JB12MJ-24-20	1-7/8-12	1-1/4	31.8	4.02	102.0	1.89	48.0	-	-	2.00	50.8	-	-	2.64	1.20	15
1225-2424	JB12MJ-24-24	1-7/8-12	1-1/2	38.1	4.37	111.0	2.03	51.5	-	-	2.00	50.8	-	-	2.07	0.94	12

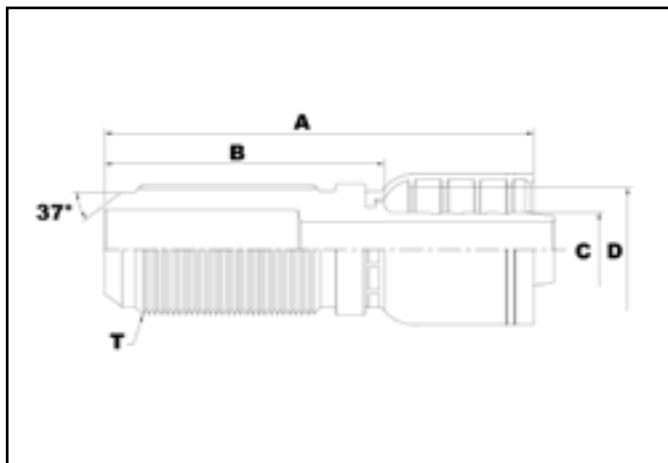
*Standard Pack is 1.

We disclaim any liability for use of our products in applications other than which they are designed.

WARNING: This product can expose you to chemicals including lead, which is known to the State of California to cause cancer, birth defects or other reproductive harm. For more information visit www.P65WARNINGS.ca.gov

JB12MJBH SERIES
Male JIC - 37°
Bulkhead

1226 SERIES



Catalog Part Number	Descriptive Part Number	Thread	Hose Inside Diameter		"A" Dimension Overall Length		"B" Dimension Cut-Off Length		"D" Dimension Drop		Hex Sizes				Weight		Bulk Pack	
			inch	mm	inch	mm	inch	mm	inch	mm	H1		H2		lbs.	kg		qty
1226-1208	JB12MJBH-12-08	1-1/16-12	1/2	12.7	4.82	122.4	3.34	84.9	-	-	-	-	-	-	-	0.64	0.29	45
1226-1612	JB12MJBH-16-12	1-5/16-12	1	25.4	4.45	113.0	2.90	73.7	-	-	-	-	-	-	-	0.88	0.40	40

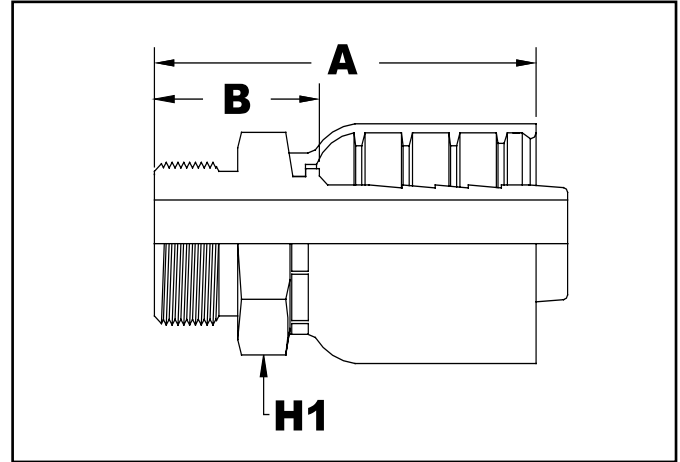
*Standard Pack is 1.

We disclaim any liability for use of our products in applications other than which they are designed.

WARNING: This product can expose you to chemicals including lead, which is known to the State of California to cause cancer, birth defects or other reproductive harm. For more information visit www.P65WARNINGS.ca.gov

1227 SERIES

**JB12OB SERIES
Male O-Ring Boss**



HYDRAULIC COUPLINGS - 12/JB12

Catalog Part Number	Descriptive Part Number	Thread	Hose Inside Diameter		"A" Dimension Overall Length		"B" Dimension Cut-Off Length		"D" Dimension Drop		Hex Sizes				Weight		Bulk Pack
			inch	mm	inch	mm	inch	mm	inch	mm	inch	mm	inch	mm	lbs.	kg	
1227-0404	JB12OB-04-04	7/16-20	1/4	6.4	1.69	43.0	0.87	22.0	-	-	0.56	14.2	-	-	0.10	0.05	250
1227-0504	JB12OB-0504	1/2-20	1/4	6.4	1.67	42.4	0.85	21.6	-	-	0.62	15.8	-	-	0.13	0.06	250
1227-0604	JB12OB-06-04	9/16-18	1/4	6.4	1.81	46.0	0.98	25.0	-	-	0.69	17.4	-	-	0.14	0.06	250
1227-0606	JB12OB-06-06	9/16-18	3/8	9.5	2.05	52.0	0.98	25.0	-	-	0.69	17.4	-	-	0.17	0.08	130
1227-0806	JB12OB-08-06	3/4-16	3/8	9.5	2.05	52.0	0.98	25.0	-	-	1.06	26.9	-	-	0.21	0.10	130
1227-0808	JB12OB-08-08	3/4-16	1/2	12.7	2.24	57.0	0.98	25.0	-	-	0.87	26.9	-	-	0.24	0.11	100
1227-1008	JB12OB-10-08	7/8-14	1/2	12.7	2.28	58.0	1.02	26.0	-	-	1.00	25.4	-	-	0.30	0.14	80
1227-1010	JB12OB-10-10	7/8-14	5/8	15.9	2.56	65.0	1.02	26.0	-	-	1.00	25.4	-	-	0.33	0.15	70
1227-1212	JB12OB-12-12	1-1/16-12	3/4	19.1	2.76	70.0	1.18	30.0	-	-	1.25	31.7	-	-	0.48	0.22	36
1227-1616	JB12OB-16-16	1-5/16-12	1	25.4	3.07	78.0	1.30	33.0	-	-	1.50	38.1	-	-	0.85	0.39	36

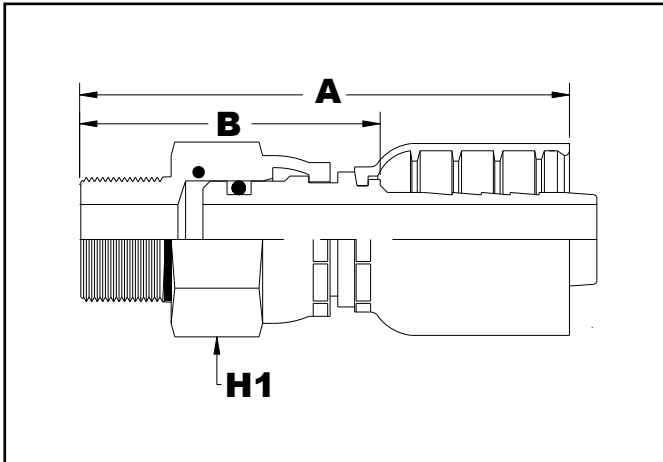
*Standard Pack is 1.

We disclaim any liability for use of our products in applications other than which they are designed.

WARNING: This product can expose you to chemicals including carbon black, which is known to the State of California to cause cancer, birth defects or other reproductive harm. For more information visit www.P65WARNINGS.ca.gov

**JB12OBS SERIES
Male O-Ring Boss Swivel**

1228 SERIES



Catalog Part Number	Descriptive Part Number	Thread	Hose Inside Diameter		"A" Dimension Overall Length		"B" Dimension Cut-Off Length		"D" Dimension Drop		Hex Sizes				Weight		Bulk Pack qty
			in.	mm	in.	mm	in.	mm	in.	mm	H1		H2		lbs.	kg	
											in.	mm	in.	mm			
1228-0404	JB12OBS-04-04	7/16-20	1/4	6.4	2.24	56.8	1.42	36.0	-	-	0.69	17.5	-	-	0.15	0.07	250
1228-0604	JB12OBS-06-04	9/16-18	1/4	6.4	2.38	60.4	1.56	39.6	-	-	0.69	17.5	-	-	0.22	0.10	250
1228-0406	JB12OBS-04-06	7/16-20	3/8	9.5	2.50	63.5	1.44	36.5	-	-	0.69	17.5	-	-	0.20	0.09	200
1228-0606	JB12OBS-06-06	9/16-18	3/8	9.5	2.64	67.1	1.58	40.1	-	-	1.06	26.9	-	-	0.26	0.12	100
1228-0806	JB12OBS-08-06	3/4-16	3/8	9.5	2.74	69.6	1.68	42.6	-	-	1.00	25.4	-	-	0.32	0.15	130
1228-0808	JB12OBS-08-08	3/4-16	1/2	12.7	2.96	75.1	1.70	43.1	-	-	1.00	25.4	-	-	0.36	0.17	100
1228-1212	JB12OBS-12-12	1-1/16-12	3/4	19.1	3.80	96.4	2.25	57.1	-	-	1.38	35.0	-	-	0.77	0.35	36
1228-1616	JB12OBS-16-16	1-5/16-12	1	25.4	4.65	118.0	2.89	73.5	-	-	1.61	41.0	-	-	0.94	0.43	36

Note: Not for use as a live swivel. For installation only.

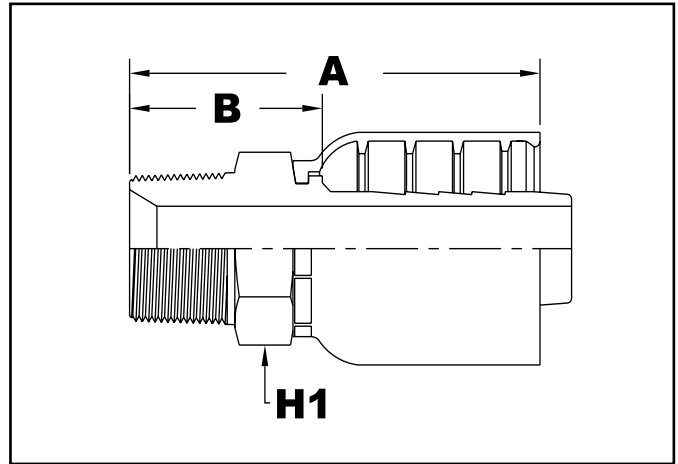
*Standard Pack is 1.

We disclaim any liability for use of our products in applications other than which they are designed.

WARNING: This product can expose you to chemicals including carbon black, which is known to the State of California to cause cancer, birth defects or other reproductive harm. For more information visit www.P65WARNINGS.ca.gov

1230 SERIES

JB12JISMP SERIES
Male BSP/JIS Taper Rigid Pipe - Metric



HYDRAULIC COUPLINGS - 12/JB12

Catalog Part Number	Descriptive Part Number	Thread	Hose Inside Diameter		"A" Dimension Overall Length		"B" Dimension Cut-Off Length		"D" Dimension Drop		Hex Sizes				Weight		Bulk Pack qty
			inch	mm	inch	mm	inch	mm	inch	mm	H1		H2		lbs.	kg	
											inch	mm	inch	mm			
1230-0404	JB12JISMP-04-04	1/4-19	1/4	6.4	1.65	42.0	0.87	22.0	-	-	0.75	19.0	-	-	0.11	0.05	250
1230-0604	JB12JISMP-06-04	3/8-19	1/4	6.4	1.85	47.0	1.06	27.0	-	-	0.87	22.0	-	-	0.16	0.07	250
1230-0605	JB12JISMP-06-05	3/8-19	5/16	7.9	1.85	47.0	1.06	27.0	-	-	0.87	22.0	-	-	0.18	0.08	130
1230-0606	JB12JISMP-06-06	3/8-19	3/8	9.5	2.13	54.0	1.06	27.0	-	-	0.87	22.0	-	-	0.21	0.09	130
1230-0806	JB12JISMP-08-06	1/2-14	3/8	9.5	2.28	58.0	1.22	31.0	-	-	1.06	27.0	-	-	0.26	0.12	100
1230-0808	JB12JISMP-08-08	1/2-14	1/2	12.7	2.44	62.0	1.22	31.0	-	-	1.06	27.0	-	-	0.30	0.14	80
1230-1208	JB12JISMP-12-08	3/4-14	1/2	12.7	2.52	64.0	1.30	33.0	-	-	1.26	32.0	-	-	0.57	0.26	100
1230-0810	JB12JISMP-08-10	1/2-14	5/8	15.9	2.70	68.5	1.17	29.7	-	-	1.06	27	-	-	0.33	0.15	70
1230-1210	JB12JISMP-12-10	3/4-14	5/8	15.9	2.52	64.0	1.30	33.0	-	-	1.26	32.0	-	-	0.60	0.27	60
1230-1212	JB12JISMP-12-12	3/4-14	3/4	19.1	2.95	75.0	1.42	36.0	-	-	1.26	32.0	-	-	0.67	0.31	50
1230-1612	JB12JISMP-16-12	1-11	3/4	19.1	3.07	78.0	1.54	39.0	-	-	1.42	36.0	-	-	0.84	0.38	50
1230-1616	JB12JISMP-16-16	1-11	1	25.4	3.35	85.0	1.57	40.0	-	-	1.42	36.0	-	-	0.88	0.40	36
1230-2020	JB12JISMP-20-20	1-1/4-11	1-1/4	31.8	3.70	94.0	1.85	47.0	-	-	1.81	46.0	-	-	1.58	0.72	15

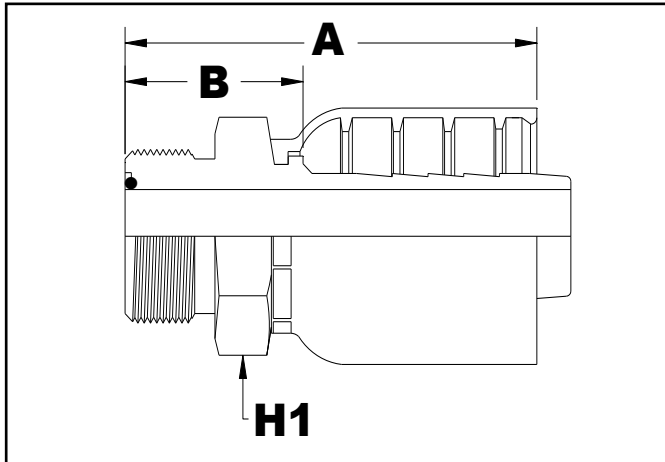
*Standard Pack is 1.

We disclaim any liability for use of our products in applications other than which they are designed.

WARNING: This product can expose you to chemicals including lead, which is known to the State of California to cause cancer, birth defects or other reproductive harm. For more information visit www.P65WARNINGS.ca.gov

**JB12MOFS SERIES
SAE Male O-Ring Face Seal**

1232 SERIES



Catalog Part Number	Descriptive Part Number	Thread	Hose Inside Diameter		"A" Dimension Overall Length		"B" Dimension Cut-Off Length		Hex Size		Weight		Bulk Pack
			inch	mm	inch	mm	inch	mm	inch	mm	lbs	kg	
1232-0404	JB12MOFS-04-04	9/16-18	1/4	6.4	1.70	43.1	0.88	22.3	0.63	15.9	0.11	0.05	250
1232-0604	JB12MOFS-06-04	11/16-16	1/4	6.4	1.75	44.5	0.93	23.7	0.75	19.0	0.15	0.07	250
1232-0606	JB12MOFS-06-06	11/16-16	3/8	9.5	2.02	51.2	0.95	24.2	0.75	19.0	0.20	0.10	130
1232-0806	JB12MOFS-08-06	13/16-16	3/8	9.5	2.08	52.8	0.82	20.8	0.87	22.2	0.20	0.10	130
1232-0808	JB12MOFS-08-08	13/16-16	1/2	12.7	2.30	58.3	1.04	26.3	0.87	22.2	0.23	0.11	80
1232-1008	JB12MOFS-10-08	1-14	1/2	12.7	2.40	61.0	1.14	29.0	1.06	27.0	0.30	0.14	80
1232-1010	JB12MOFS-10-10	1-14	5/8	15.9	2.64	67.0	1.11	28.2	1.06	27.0	0.37	0.18	70
1232-1208	JB12MOFS-12-08	1-1/16-12	1/2	12.7	2.54	64.5	1.28	32.5	1.26	32	0.42	0.19	60
1232-1210	JB12MOFS-12-10	1-3/16-12	5/8	15.9	2.78	70.5	1.25	31.7	1.26	32	0.49	0.22	50
1232-1212	JB12MOFS-12-12	1-3/16-12	3/4	19.1	2.81	71.3	1.26	32.0	1.26	32.0	0.50	0.25	36
1232-1612	JB12MOFS-16-12	1-7/16-12	3/4	19.1	2.91	73.8	1.36	34.5	1.50	38.0	0.63	0.31	36
1232-1616	JB12MOFS-16-16	1-7/16-12	1	25.4	3.21	81.5	1.46	37.0	1.50	38.0	0.89	0.43	36

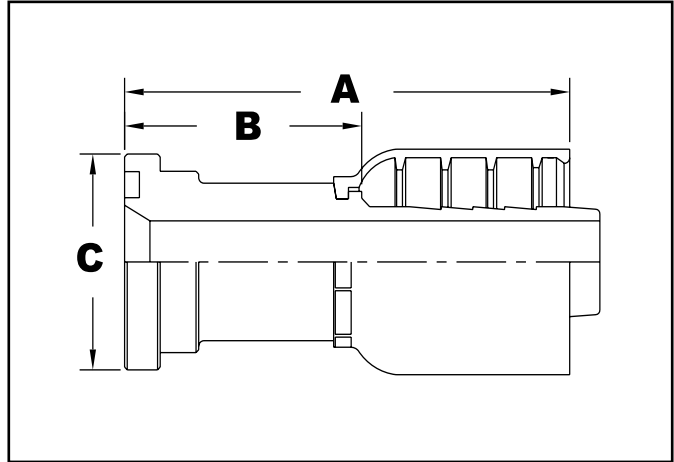
*Standard Pack is 1.

We disclaim any liability for use of our products in applications other than which they are designed.

WARNING: This product can expose you to chemicals including carbon black, which is known to the State of California to cause cancer, birth defects or other reproductive harm. For more information visit www.P65WARNINGS.ca.gov

1234 SERIES

**JB12C61S SERIES
SAE Code 61 Flange - Straight**



HYDRAULIC HOSE - 1&2 WIRE BRAID

Catalog Part Number	Descriptive Part Number	Flange Size		Hose Inside Diameter		"A" Dimension Overall Length		"B" Dimension Cut-Off Length		"D" Dimension Drop		Flange Diameter -C-		Weight		Bulk Pack
		inch	mm	inch	mm	inch	mm	inch	mm	inch	mm	inch	mm	lbs	kg	qty
1234-0808	JB12C61S-08-08	1/2	12.7	1/2	12.7	2.99	76.0	1.77	45.0	-	-	1.19	30.1	0.37	0.17	80
1234-1208	JB12C61S-12-08	3/4	19.1	1/2	12.7	2.99	76.0	1.77	45.0	-	-	1.50	38.1	0.35	0.16	100
1234-1212	JB12C61S-12-12	3/4	19.1	3/4	19.1	3.31	84.0	1.77	45.0	-	-	1.50	38.1	0.63	0.29	50
1234-1612	JB12C61S-16-12	1	25.4	3/4	19.1	3.15	80.0	1.61	41.0	-	-	1.75	44.4	0.85	0.39	50
1234-1616	JB12C61S-16-16	1	25.4	1	25.4	3.98	101.0	2.20	56.0	-	-	1.75	44.4	1.10	0.50	36
1234-2016	JB12C61S-20-16	1-1/4	31.8	1	25.4	3.90	99.0	2.13	54.0	-	-	2.00	50.8	1.63	0.74	36
1234-2020	JB12C61S-20-20	1-1/4	31.8	1-1/4	31.8	4.33	110.0	2.48	63.0	-	-	2.00	50.8	1.72	0.78	15
1234-2420	JB12C61S-24-20	1-1/2	38.1	1-1/4	31.8	4.57	116.0	2.72	69.0	-	-	2.37	60.3	1.91	0.87	15
1234-3220	JB12C61S-32-20	2	50.8	1-1/4	31.8	4.57	116.0	2.72	69.0	-	-	2.81	71.4	3.11	1.41	12
1234-2424	JB12C61S-24-24	1-1/2	38.1	1-1/2	38.1	5.16	131.0	2.83	72.0	-	-	2.37	60.3	2.37	1.08	15
1234-3224	JB12C61S-32-24	2	50.8	1-1/2	38.1	5.43	138.0	3.11	79.0	-	-	2.81	71.4	3.51	1.59	12
1234-2432	JB12C61S-24-32	1-1/2	38.1	2	50.8	5.43	138.0	3.11	79.0	-	-	2.37	60.3	3.55	1.61	15
1234-3232	JB12C61S-32-32	2	50.8	2	50.8	5.91	150.0	3.11	79.0	-	-	2.81	71.4	3.88	1.76	8

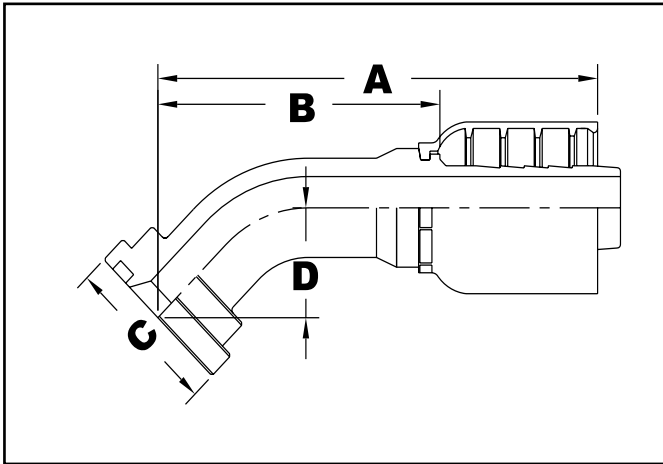
*Standard Pack is 1.

We disclaim any liability for use of our products in applications other than which they are designed.

WARNING: This product can expose you to chemicals including lead, which is known to the State of California to cause cancer, birth defects or other reproductive harm. For more information visit www.P65WARNINGS.ca.gov

JB12C6145 SERIES
SAE Code 61 Flange - 45° Elbow

1236 SERIES



Catalog Part Number	Descriptive Part Number	Flange Size		Hose Inside Diameter		"A" Dimension Overall Length		"B" Dimension Cut-Off Length		"D" Dimension Drop		Flange Diameter -C-		Weight		Bulk Pack
		inch	mm	inch	mm	inch	mm	inch	mm	inch	mm	inch	mm	lbs.	kg	
1236-0808	JB12C6145-08-08	1/2	12.7	1/2	12.7	3.15	80.0	1.89	48.0	0.75	19.0	1.19	30.1	0.32	0.15	80
1236-1208	JB12C6145-12-08	3/4	19.1	1/2	12.7	3.27	83.0	2.01	51.0	0.87	22.0	1.50	38.1	0.48	0.22	80
1236-1212	JB12C6145-12-12	3/4	19.1	3/4	19.1	4.57	116.0	2.99	76.0	1.14	29.0	1.50	38.1	0.74	0.34	32
1236-1612	JB12C6145-16-12	1	25.4	3/4	19.1	4.57	116.0	2.99	76.0	1.14	29.0	1.75	44.4	0.76	0.35	32
1236-1616	JB12C6145-16-16	1	25.4	1	25.4	4.41	112.0	3.03	77.0	1.22	31.0	1.75	44.4	1.08	0.49	18
1236-2016	JB12C6145-20-16	1-1/4	31.8	1	25.4	4.41	112.0	3.03	77.0	1.22	31.0	2.00	50.8	1.24	0.56	18
1236-2020	JB12C6145-20-20	1-1/4	31.8	1-1/4	31.8	5.83	148.0	3.98	101.0	1.50	38.0	2.00	50.8	1.80	0.82	12
1236-2420	JB12C6145-24-20	1-1/2	38.1	1-1/4	31.8	5.91	150.0	4.06	103.0	1.57	40.0	2.37	60.3	1.95	0.88	12
1236-2424	JB12C6145-24-24	1-1/2	38.1	1-1/2	38.1	6.81	173.0	4.45	113.0	1.73	44.0	2.37	60.3	2.37	1.08	12
1236-3224	JB12C6145-32-24	2	50.8	1-1/2	38.1	6.81	173.0	4.45	113.0	1.73	44.0	2.81	71.4	2.41	1.10	10
1236-3232	JB12C6145-32-32	2	50.8	2	50.8	8.23	209.0	5.43	138.0	2.36	60.0	2.81	71.4	5.12	2.32	6

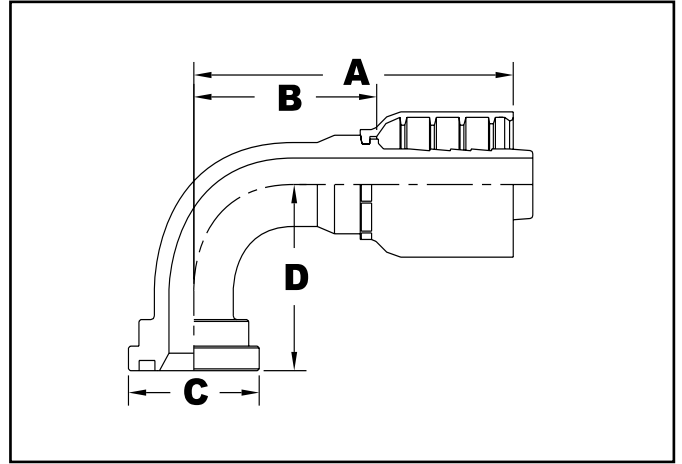
*Standard Pack is 1.

We disclaim any liability for use of our products in applications other than which they are designed.

WARNING: This product can expose you to chemicals including lead, which is known to the State of California to cause cancer, birth defects or other reproductive harm. For more information visit www.P65WARNINGS.ca.gov

1239 SERIES

**JB12C6190 SERIES
SAE Code 61 Flange - 90° Elbow**



HYDRAULIC COUPLINGS - 12/JB12

Catalog Part Number	Descriptive Part Number	Flange Size		Hose Inside Diameter		"A" Dimension Overall Length		"B" Dimension Cut-Off Length		"D" Dimension Drop		Flange Diameter -C-		Weight		Bulk Pack
		inch	mm	inch	mm	inch	mm	inch	mm	inch	mm	inch	mm	lbs.	kg	qty
1239-0808	JB12C6190-08-08	1/2	12.7	1/2	12.7	2.76	70.0	1.50	38.0	1.34	34.0	0.81	20.6	0.33	0.15	50
1239-1208	JB12C6190-12-08	3/4	19.1	1/2	12.7	2.76	70.0	1.50	38.0	1.38	35.0	1.50	38.1	0.78	0.35	50
1239-1212	JB12C6190-12-12	3/4	19.1	3/4	19.1	3.98	101.0	2.40	61.0	2.13	54.0	1.50	38.1	0.87	0.40	50
1239-1612	JB12C6190-16-12	1	25.4	3/4	19.1	3.98	101.0	2.40	61.0	2.13	54.0	1.75	44.4	0.85	0.39	50
1239-1616	JB12C6190-16-16	1	25.4	1	25.4	4.96	126.0	3.19	81.0	2.44	62.0	1.75	44.4	1.36	0.62	50
1239-2016	JB12C6190-20-16	1-1/4	31.8	1	25.4	4.96	126.0	3.19	81.0	2.44	62.0	2.00	50.8	1.31	0.59	50
1239-2416	JB12C6190-24-16	1-1/2	38.1	1	25.4	4.96	126.0	3.19	81.0	2.44	62.0	2.37	60.3	1.67	0.76	24
1239-2020	JB12C6190-20-20	1-1/4	31.8	1-1/4	31.8	5.51	140.0	3.66	93.0	3.11	79.0	2.00	50.8	2.02	0.92	24
1239-2420	JB12C6190-24-20	1-1/2	38.1	1-1/4	31.8	5.51	140.0	3.66	93.0	3.19	81.0	2.37	60.3	2.33	1.06	24
1239-2424	JB12C6190-24-24	1-1/2	38.1	1-1/2	38.1	5.94	151.0	3.58	91.0	3.27	83.0	2.37	60.3	2.55	1.16	24
1239-3224	JB12C6190-32-24	2	50.8	1-1/2	38.1	5.94	151.0	3.58	91.0	3.27	83.0	2.81	71.4	3.08	1.40	24
1239-3232	JB12C6190-32-32	2	50.8	2	50.8	8.11	206.0	5.31	135.0	5.16	131.0	2.81	71.4	6.02	2.73	24

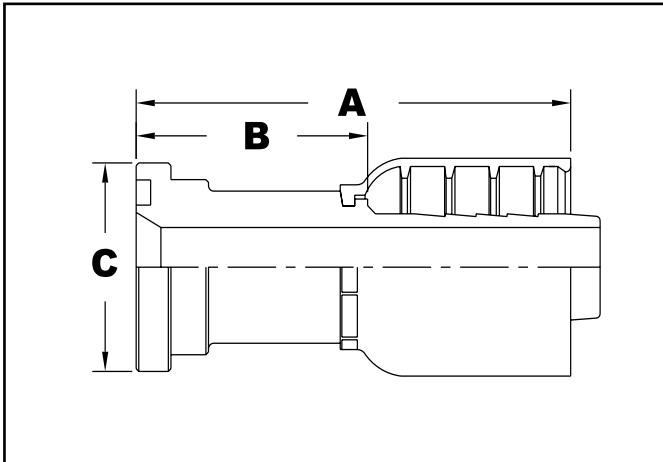
*Standard Pack is 1.

We disclaim any liability for use of our products in applications other than which they are designed.

⚠ WARNING: This product can expose you to chemicals including lead, which is known to the State of California to cause cancer, birth defects or other reproductive harm. For more information visit www.P65WARNINGS.ca.gov

JB12C62S SERIES
SAE Code 62 Flange - Straight

1241 SERIES



Catalog Part Number	Descriptive Part Number	Flange Size		Hose Inside Diameter		"A" Dimension Overall Length		"B" Dimension Cut-Off Length		"D" Dimension Drop		Flange Diameter -C-		Weight		Bulk Pack
		inch	mm	inch	mm	inch	mm	inch	mm	inch	mm	inch	mm	lbs.	kg	qty
1241-1212	JB12C62S-12-12	3/4	19.1	3/4	19.1	3.46	88.0	1.93	49.0	-	-	1.62	41.2	0.63	0.29	50
1241-1612	JB12C62S-16-12	1	25.4	3/4	19.1	3.90	99.0	2.36	60.0	-	-	1.87	47.6	0.99	0.45	50
1241-1616	JB12C62S-16-16	1	25.4	1	25.4	4.21	107.0	2.44	62.0	-	-	1.87	47.6	1.32	0.60	36
1241-2016	JB12C62S-20-16	1-1/4	31.8	1	25.4	4.37	111.0	2.91	74.0	-	-	2.12	53.9	1.65	0.75	36
1241-2020	JB12C62S-20-20	1-1/4	31.8	1-1/4	31.8	4.41	112.0	2.95	75.0	-	-	2.12	53.9	1.96	0.89	15
1241-2420	JB12C62S-24-20	1-1/2	38.1	1-1/4	31.8	4.41	112.0	2.95	75.0	-	-	2.50	63.5	2.43	1.10	15
1241-2424	JB12C62S-24-24	1-1/2	38.1	1-1/2	38.1	5.51	140.0	3.19	81.0	-	-	2.50	63.5	2.79	1.27	15
1241-3224	JB12C62S-32-24	2	50.8	1-1/2	38.1	6.30	160.0	3.98	101.0	-	-	3.12	79.3	4.45	2.02	12
1241-3232	JB12C62S-32-32	2	50.8	2	50.8	6.77	172.0	3.98	101.0	-	-	3.12	79.3	5.01	2.27	8

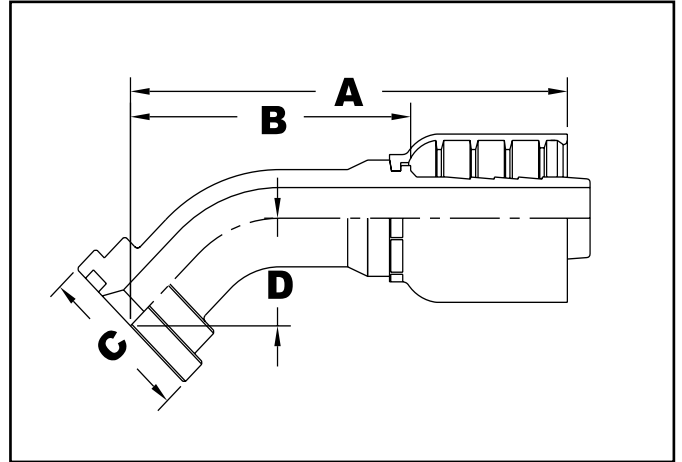
*Standard Pack is 1.

We disclaim any liability for use of our products in applications other than which they are designed.

WARNING: This product can expose you to chemicals including lead, which is known to the State of California to cause cancer, birth defects or other reproductive harm. For more information visit www.P65WARNINGS.ca.gov

1243 SERIES

**JB12C6245 SERIES
SAE Code 62 Flange - 45° Elbow**



HYDRAULIC COUPLINGS - 12/JB12

Catalog Part Number	Descriptive Part Number	Flange Size		Hose Inside Diameter		"A" Dimension Overall Length		"B" Dimension Cut-Off Length		"D" Dimension Drop		Flange Diameter -C-		Weight		Bulk Pack
		inch	mm	inch	mm	inch	mm	inch	mm	inch	mm	inch	mm	lbs.	kg	qty
1243-1212	JB12C6245-12-12	3/4	19.1	3/4	19.1	4.69	119.0	3.11	79.0	1.26	32.0	1.62	41.2	0.83	0.38	32
1243-1616	JB12C6245-16-16	1	25.4	1	25.4	4.61	117.0	3.23	82.0	1.42	36.0	1.87	47.6	1.34	0.61	18
1243-2020	JB12C6245-20-20	1-1/4	31.8	1-1/4	31.8	6.14	156.0	4.29	109.0	1.81	46.0	2.12	53.9	2.09	0.95	12
1243-2424	JB12C6245-24-24	1-1/2	38.1	1-1/2	38.1	7.05	179.0	4.69	119.0	1.97	50.0	2.50	63.5	2.89	1.31	12
1243-3232	JB12C6245-32-32	2	50.8	2	50.8	8.82	224.0	6.02	153.0	2.95	75.0	3.12	79.3	5.18	2.35	6

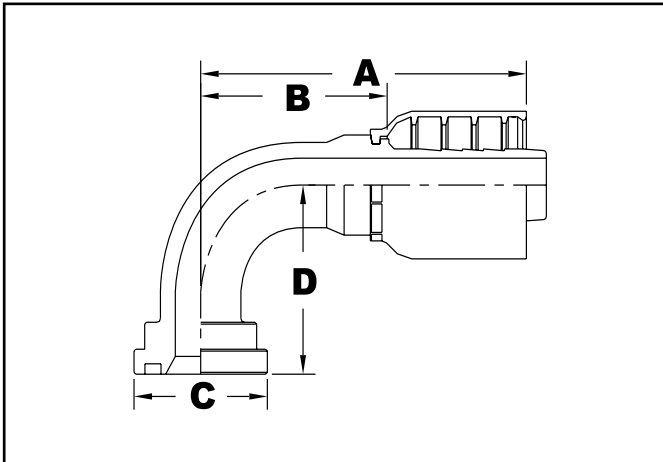
*Standard Pack is 1.

We disclaim any liability for use of our products in applications other than which they are designed.

WARNING: This product can expose you to chemicals including lead, which is known to the State of California to cause cancer, birth defects or other reproductive harm. For more information visit www.P65WARNINGS.ca.gov

JB12C6290 SERIES
SAE Code 62 Flange - 90° Elbow

1245 SERIES



Catalog Part Number	Descriptive Part Number	Flange Size		Hose Inside Diameter		"A" Dimension Overall Length		"B" Dimension Cut-Off Length		"D" Dimension Drop		Flange Diameter -C-		Weight		Bulk Pack
		inch	mm	inch	mm	inch	mm	inch	mm	inch	mm	inch	mm	lbs.	kg	qty
1245-1212	JB12C6290-12-12	3/4	19.1	3/4	19.1	3.98	101.0	3.11	79.0	2.28	58.0	1.62	41.2	0.85	0.39	32
1245-1616	JB12C6290-16-16	1	25.4	1	25.4	4.96	126.0	3.23	82.0	2.72	69.0	1.87	47.6	1.36	0.62	15
1245-2020	JB12C6290-20-20	1-1/4	31.8	1-1/4	31.8	5.51	140.0	4.29	109.0	3.54	90.0	2.12	53.9	2.29	1.04	15
1245-2424	JB12C6290-24-24	1-1/2	38.1	1-1/2	38.1	5.94	151.0	4.69	119.0	3.62	92.0	2.50	63.5	3.18	1.44	10
1245-3232	JB12C6290-32-32	2	50.8	2	50.8	8.11	206.0	6.02	153.0	6.02	153.0	3.12	79.3	7.08	3.21	7

*Standard Pack is 1.

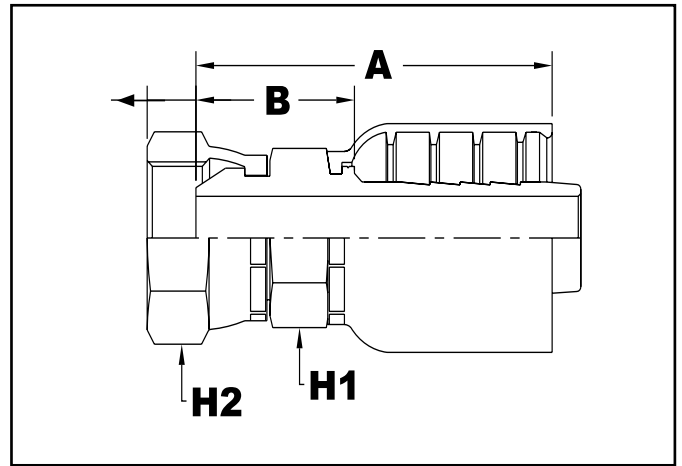
We disclaim any liability for use of our products in applications other than which they are designed.

WARNING: This product can expose you to chemicals including lead, which is known to the State of California to cause cancer, birth defects or other reproductive harm. For more information visit www.P65WARNINGS.ca.gov

1248 SERIES

1248 Series will replace 1252 Series

**JB12FSPPBSP SERIES
Female Swivel - BSP Parallel Pipe
30° Cone - Metric**



HYDRAULIC COUPLINGS - 12/JB12

Catalog Part Number	Descriptive Part Number	Thread	Hose Inside Diameter		"A" Dimension Overall Length		"B" Dimension Cut-Off Length		Hex Sizes				Weight		Bulk Pack Qty
			inch	mm	inch	mm	inch	mm	H1		H2		lbs.	kg	
									inch	mm	inch	mm			
1248-0404	JB12FSPPBSP-04-04	1/4-19	1/4	6.4	1.77	45.0	0.98	25.0	0.67	17.0	0.75	19.0	0.17	0.08	250
1248-0606	JB12FSPPBSP-06-06	3/8-19	3/8	9.5	2.17	55.0	1.10	28.0	0.75	19.0	0.87	22.0	0.25	0.11	130
1248-0808	JB12FSPPBSP-08-08	1/2-14	1/2	12.7	2.36	60.0	1.14	29.0	0.87	22.0	1.06	27.0	0.36	0.16	80
1248-1010	JB12FSPPBSP-10-10	5/8-14	5/8	15.9	2.64	67.0	1.14	29.0	1.06	27.0	1.06	27.0	0.25	0.20	70
1248-1210	JB12FSPPBSP-12-10	3/4-14	5/8	15.9	2.76	70.1	1.23	31.3	1.26	32.0	1.26	32.0	0.36	0.24	60
1248-1212	JB12FSPPBSP-12-12	3/4-14	3/4	19.1	2.80	71.0	1.26	32.0	1.06	27.0	1.26	32.0	0.44	0.27	50
1248-1616	JB12FSPPBSP-16-16	1-11	1	25.4	3.19	81.0	1.42	36.0	1.42	36.0	1.61	41.0	1.05	0.48	36
1248-2020	JB12FSPPBSP-20-20	1-1/4-11	1-1/4	31.8	3.66	93.0	1.81	46.0	1.81	46.0	1.97	50.0	1.48	0.67	15
1248-2424	JB12FSPPBSP-24-24	1-1/2-11	1-1/2	38.1	4.12	104.7	1.78	45.2	2.17	55.0	2.17	55.0	2.38	1.08	15
1248-3232	JB12FSPPBSP-32-32	2-11	2	50.8	5.13	130.3	2.35	59.8	2.36	60.0	2.76	70.0	4.50	2.04	8

Please note that 1248 Series will replace the 1252 Series

*Standard Pack is 1.

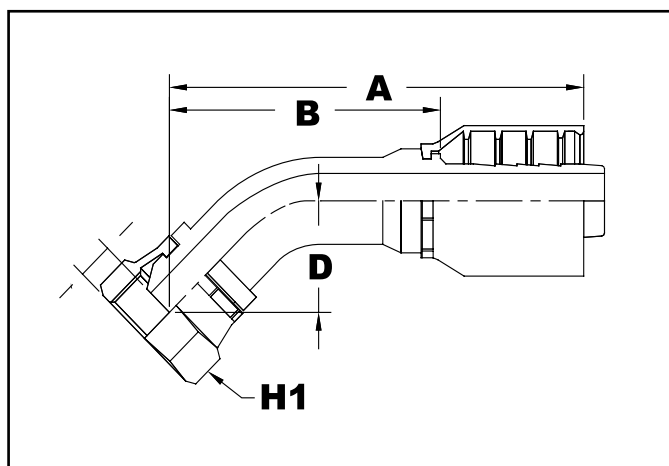
We disclaim any liability for use of our products in applications other than which they are designed.

WARNING: This product can expose you to chemicals including lead, which is known to the State of California to cause cancer, birth defects or other reproductive harm. For more information visit www.P65WARNINGS.ca.gov

1249 Series will replace 1254 Series

JB12FSPPBSP45 SERIES
Female Swivel - BSP Parallel Pipe
30° Cone - 45° Elbow - Metric

1249 SERIES



Catalog Part Number	Descriptive Part Number	Thread	Hose Inside Diameter		"A" Dimension Overall Length		"B" Dimension Cut-Off Length		"D" Dimension Drop		Hex Size H1		Weight		Bulk Pack
			inch	mm	inch	mm	inch	mm	inch	mm	inch	mm	lbs.	kg	qty
1249-0404	JB12FSPPBSP45-04-04	1/4-19	1/4	6.4	2.28	58.0	1.50	38.0	0.67	17.0	0.75	19.0	0.15	0.07	250
1249-0606	JB12FSPPBSP45-06-06	3/8-19	3/8	9.5	2.80	71.0	1.73	44.0	0.75	19.0	0.87	22.0	0.24	0.11	130
1249-0808	JB12FSPPBSP45-08-08	1/2-14	1/2	12.7	3.31	84.0	2.05	52.0	0.91	23.0	1.06	27.0	0.34	0.15	80
1249-1010	JB12FSPPBSP45-10-10	5/8-14	5/8	15.9	3.62	92.0	2.09	53.0	0.83	21.0	1.06	27.0	0.49	0.22	70
1249-1212	JB12FSPPBSP45-12-12	3/4-14	3/4	19.1	4.61	117.0	3.03	77.0	1.18	30.0	1.26	32.0	0.82	0.37	32
1249-1616	JB12FSPPBSP45-16-16	1-11	1	25.4	4.92	125.0	3.15	80.0	1.73	44.0	1.61	41.0	1.34	0.61	18
1249-2020	JB12FSPPBSP45-20-20	1-1/4-11	1-1/4	31.8	6.02	153.0	4.17	106.0	1.65	42.0	1.97	50.0	1.72	0.78	12
1249-2424	JB12FSPPBSP45-24-24	1-1/2-11	1-1/2	38.1	6.93	176.0	4.57	116.0	1.89	48.0	2.17	55.0	3.40	1.54	12
1249-3232	JB12FSPPBSP45-32-32	2-11	2	50.8	8.46	215.0	5.67	144.0	2.60	66.0	2.76	70.0	6.37	2.89	6

Please note that 1249 Series will replace 1254 Series

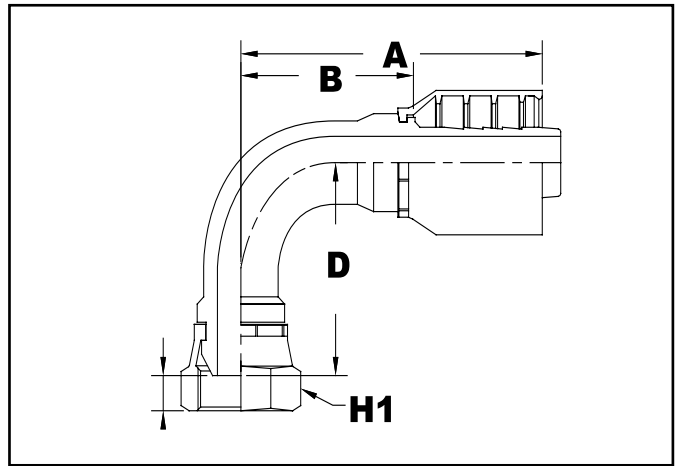
*Standard Pack is 1.

We disclaim any liability for use of our products in applications other than which they are designed.

WARNING: This product can expose you to chemicals including lead, which is known to the State of California to cause cancer, birth defects or other reproductive harm. For more information visit www.P65WARNINGS.ca.gov

1250 SERIES

1250 Series will replace 1256 Series
JB12FSPPBSP90 SERIES
Female Swivel - BSP Parallel Pipe
30° Cone - 90° Elbow - Metric



HYDRAULIC COUPLINGS - 12/JB12

Catalog Part Number	Descriptive Part Number	Thread	Hose Inside Diameter		"A" Dimension Overall Length		"B" Dimension Cut-Off Length		"D" Dimension Drop		Hex Sizes		Weight		Bulk Pack
			inch	mm	inch	mm	inch	mm	inch	mm	inch	mm	lbs.	kg	qty
1250-0404	JB12FSPPBSP90-04-04	1/4-19	1/4	6.4	2.01	51.0	1.18	30.0	1.10	28.0	0.75	19.0	0.15	0.07	250
1250-0606	JB12FSPPBSP90-06-06	3/8-19	3/8	9.5	2.72	69.0	1.65	42.0	1.26	32.0	0.87	22.0	0.25	0.11	100
1250-0808	JB12FSPPBSP90-08-08	1/2-14	1/2	12.7	2.76	70.0	1.50	38.0	1.38	35.0	1.06	27.0	0.38	0.17	70
1250-1212	JB12FSPPBSP90-12-12	3/4-14	3/4	19.1	3.98	101.0	2.40	61.0	2.13	54.0	1.26	32.0	0.81	0.37	32
1250-1616	JB12FSPPBSP90-16-16	1-11	1	25.4	4.96	126.0	3.19	81.0	2.56	65.0	1.61	41.0	0.88	0.40	15
1250-2020	JB12FSPPBSP90-20-20	1-1/4-11	1-1/4	31.8	5.51	140.0	3.66	93.0	3.39	86.0	1.97	50.0	1.54	0.70	15
1250-2424	JB12FSPPBSP90-24-24	1-1/2-11	1-1/2	38.1	5.94	151.0	3.58	91.0	3.46	88.0	2.17	55.0	2.09	0.95	10
1250-3232	JB12FSPPBSP90-32-32	2-11	2	50.8	8.11	206.0	5.31	135.0	5.51	140.0	2.76	70.0	7.30	3.31	6

Please note that 1250 Series will replace 1256 Series

*Standard Pack is 1.

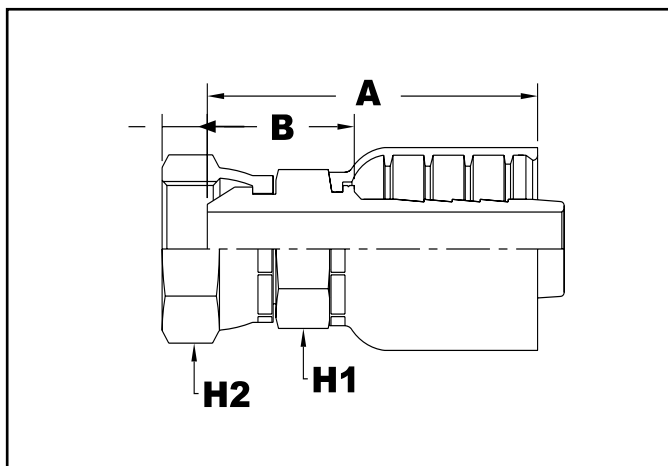
We disclaim any liability for use of our products in applications other than which they are designed.

WARNING: This product can expose you to chemicals including lead, which is known to the State of California to cause cancer, birth defects or other reproductive harm. For more information visit www.P65WARNINGS.ca.gov

1252 Series will be replaced by 1248 Series

JB12FSPPJIS SERIES
Female Swivel - JIS Parallel Pipe
30° Flare - Straight Metric

1252 SERIES



Catalog Part Number	Descriptive Part Number	Thread	Hose Inside Diameter		"A" Dimension Overall Length		"B" Dimension Cut-Off Length		Hex Sizes				Weight		Bulk Pack
			inch	mm	inch	mm	inch	mm	H1		H2		lbs.	kg	
									inch	mm	inch	mm			
1252-0404	JB12FSPPJIS-04-04	1/4-19	1/4	6.4	1.73	44.0	0.94	24.0	0.75	19.0	0.75	19.0	0.17	0.08	250
1252-0604	JB12FSPPJIS-06-04	3/8-19	1/4	6.4	1.73	44.0	0.94	24.0	0.87	22.0	0.87	22.0	0.19	0.09	200
1252-0606	JB12FSPPJIS-06-06	3/8-19	3/8	9.5	2.05	52.0	0.98	25.0	0.87	22.0	0.87	22.0	0.25	0.11	130
1252-0806	JB12FSPPJIS-08-06	1/2-14	3/8	9.5	2.05	52.0	0.98	25.0	1.06	27.0	1.06	27.0	0.29	0.13	100
1252-0808	JB12FSPPJIS-08-08	1/2-14	1/2	12.7	2.24	57.0	1.02	26.0	1.06	27.0	1.06	27.0	0.36	0.16	80
1252-1210	JB12FSPPJIS-12-10	3/4-14	5/8	15.9	2.72	69.0	1.22	31.0	1.06	27.0	1.42	36.0	0.54	0.25	60
1252-1212	JB12FSPPJIS-12-12	3/4-14	3/4	19.1	2.76	70.0	1.22	31.0	1.26	32.0	1.42	36.0	0.68	0.31	50
1252-1616	JB12FSPPJIS-16-16	1-11	1	25.4	3.15	80.0	1.38	35.0	1.42	36.0	1.61	41.0	1.05	0.48	36
1252-2020	JB12FSPPJIS-20-20	1-1/4-11	1-1/4	31.8	3.50	89.0	1.65	42.0	1.81	46.0	1.97	50.0	1.48	0.67	15
1252-2424	JB12FSPPJIS-24-24	1-1/2-11	1-1/2	38.1	4.09	104.0	1.77	45.0	2.17	55.0	2.17	55.0	2.39	1.08	15
1252-3232	JB12FSPPJIS-32-32	2-11	2	50.8	5.12	130.0	2.32	59.0	2.36	60.0	2.87	73.0	4.50	2.04	8

Please note that 1252 Series will be replaced by 1248 Series.

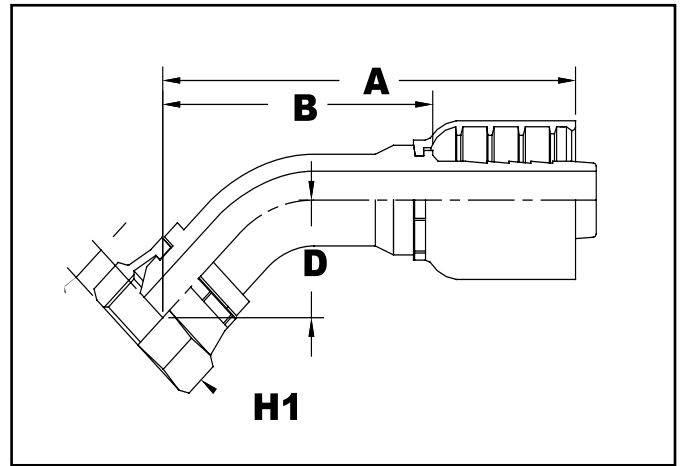
*Standard Pack is 1.

We disclaim any liability for use of our products in applications other than which they are designed.

WARNING: This product can expose you to chemicals including lead, which is known to the State of California to cause cancer, birth defects or other reproductive harm. For more information visit www.P65WARNINGS.ca.gov

1254 SERIES

JB12FSPPJIS45 SERIES
Female Swivel - JIS Parallel Pipe
30° Flare - 45° Elbow - Metric



HYDRAULIC COUPLINGS - 12/JB12

Catalog Part Number	Descriptive Part Number	Thread	Hose Inside Diameter		"A" Dimension Overall Length		"B" Dimension Cut-Off Length		"D" Dimension Drop		Hex Sizes		Weight		Bulk Pack
			inch	mm	inch	mm	inch	mm	inch	mm	inch	mm	lbs.	kg	qty
1254-0404	JB12FSPPJIS45-04-04	1/4-19	1/4	6.4	2.24	57.0	1.5	37.0	0.6	16.0	0.7	19.0	0.15	0.07	250
1254-0606	JB12FSPPJIS45-06-06	3/8-19	3/8	9.5	2.80	71.0	1.7	44.0	0.7	18.0	0.9	22.0	0.24	0.11	130
1254-0808	JB12FSPPJIS45-08-08	1/2-14	1/2	12.7	3.27	83.0	2.0	51.0	0.8	20.0	1.1	27.0	0.36	0.16	80
1254-1212	JB12FSPPJIS45-12-12	3/4-14	3/4	19.1	4.69	119.0	3.1	79.0	1.2	30.0	1.4	36.0	0.88	0.40	32
1254-1616	JB12FSPPJIS45-16-16	1-11	1	25.4	4.88	124.0	3.1	79.0	1.3	33.0	1.6	41.0	1.20	0.54	18
1254-2020	JB12FSPPJIS45-20-20	1-1/4-11	1-1/4	31.8	6.02	153.0	4.2	106.0	1.7	42.0	2.0	50.0	1.34	0.61	12
1254-2424	JB12FSPPJIS45-24-24	1-1/2-11	1-1/2	38.1	6.93	176.0	4.6	116.0	1.9	48.0	2.2	55.0	1.72	0.78	12
1254-3232	JB12FSPPJIS45-32-32	2-11	2	50.8	8.46	215.0	5.7	144.0	2.6	66.0	2.9	73.0	6.37	2.89	6

Please note that 1249 Series will be replaced by 1254 Series

*Standard Pack is 1.

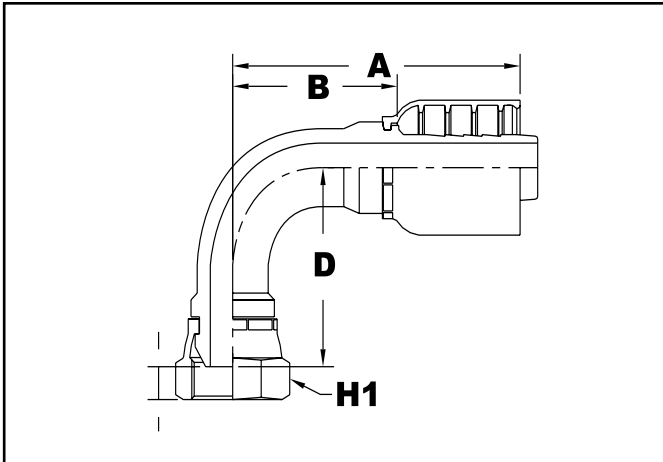
We disclaim any liability for use of our products in applications other than which they are designed.

WARNING: This product can expose you to chemicals including lead, which is known to the State of California to cause cancer, birth defects or other reproductive harm. For more information visit www.P65WARNINGS.ca.gov

1256 Series will be replaced by 1250 Series

JB12FSPPJIS90 SERIES
Female Swivel - JIS Parallel Pipe
30° Flare - 90° Elbow - Metric

1256 SERIES



Catalog Part Number	Descriptive Part Number	Thread	Hose Inside Diameter		"A" Dimension Overall Length		"B" Dimension Cut-Off Length		"D" Dimension Drop		Hex Sizes		Weight		Bulk Pack
			inch	mm	inch	mm	inch	mm	inch	mm	inch	mm	lbs	kg	
1256-0404	JB12FSPPJIS90-04-04	1/4-19	1/4	6.4	2.01	51.0	1.18	30.0	1.06	27.0	0.75	19.0	0.15	0.07	200
1256-0606	JB12FSPPJIS90-06-06	3/8-19	3/8	9.5	2.72	69.0	1.65	42.0	1.22	31.0	0.87	22.0	0.25	0.11	100
1256-0808	JB12FSPPJIS90-08-08	1/2-14	1/2	12.7	2.76	70.0	1.50	38.0	1.30	33.0	1.06	27.0	0.36	0.16	70
1256-1212	JB12FSPPJIS90-12-12	3/4-14	3/4	19.1	3.98	101.0	2.40	61.0	2.09	53.0	1.42	36.0	0.95	0.43	32
1256-1616	JB12FSPPJIS90-16-16	1-11	1	25.4	4.96	126.0	3.19	81.0	2.48	63.0	1.61	41.0	1.54	0.70	15
1256-2020	JB12FSPPJIS90-20-20	1-1/4-11	1-1/4	31.8	5.51	140.0	3.66	93.0	3.35	85.0	1.97	50.0	2.56	1.16	15
1256-2424	JB12FSPPJIS90-24-24	1-1/2-11	1-1/2	38.1	5.94	151.0	3.58	91.0	3.46	88.0	2.17	55.0	2.91	1.32	10
1256-3232	JB12FSPPJIS90-32-32	2-11	2	50.8	8.11	206.0	5.31	135.0	5.51	140.0	2.87	73.0	3.29	1.49	6

Please note that 1256 Series will be replaced by 1250 Series

*Standard Pack is 1.

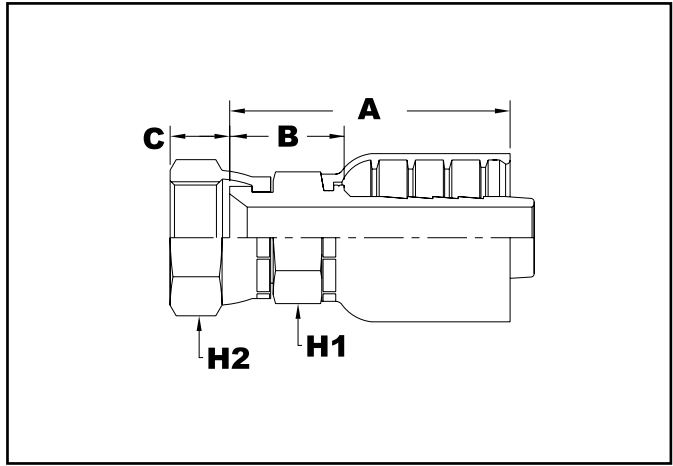
We disclaim any liability for use of our products in applications other than which they are designed.

WARNING: This product can expose you to chemicals including lead, which is known to the State of California to cause cancer, birth defects or other reproductive harm. For more information visit www.P65WARNINGS.ca.gov

1258 SERIES



JB12FSJISF SERIES
Female Swivel - JIS, 30° Flare



HYDRAULIC COUPLINGS - 12/JB12

Catalog Part Number	Descriptive Part Number	Thread	Hose Inside Diameter		"A" Dimension Overall Length		"B" Dimension Cut-Off Length		Hex Sizes				Weight		Bulk Pack
			inch	mm	inch	mm	inch	mm	H1		H2		lbs	kg	
									inch	mm	inch	mm			
1258-0404	JB12FSJISF-04-04	1/4-19	1/4	6.4	1.61	41.0	0.82	21.0	0.68	17.2	0.75	19.0	0.15	0.07	250
1258-0606	JB12FSJISF-06-06	3/8-19	3/8	9.5	1.93	49.0	0.87	22.0	0.87	22.0	0.87	22.0	0.24	0.11	130
1258-0808	JB12FSJISF-08-08	1/2-14	1/2	12.7	2.17	55.0	0.94	24.0	1.06	27.0	1.06	27.0	0.35	0.16	80
1258-1212	JB12FSJISF-12-12	3/4-14	3/4	19.1	2.60	66.0	1.06	27.0	1.26	32.0	1.42	36.0	0.64	0.29	50
1258-1616	JB12FSJISF-16-16	1-11.5	1	25.4	3.03	77.0	1.26	32.0	1.42	36.0	1.61	41.0	1.08	0.49	36

*Standard Pack is 1.

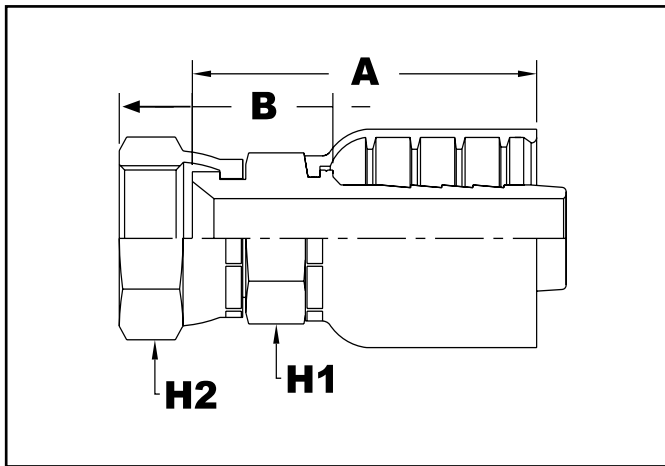
We disclaim any liability for use of our products in applications other than which they are designed.

WARNING: This product can expose you to chemicals including lead, which is known to the State of California to cause cancer, birth defects or other reproductive harm. For more information visit www.P65WARNINGS.ca.gov

JB12KFSM SERIES

1270 SERIES

Female Swivel - Komatsu 30° Flare - Metric



Catalog Part Number	Descriptive Part Number	Thread	Hose Inside Diameter		"A" Dimension Overall Length		"B" Dimension Cut-Off Length		Hex Sizes				Weight		Bulk Pack qty
			inch	mm	inch	mm	inch	mm	H1		H2		lbs.	kg	
1270-1404	JB12KFSM-14-04	M14-1.5	1/4	6.4	1.61	41.0	0.83	21.0	0.67	17.0	0.75	19.1	0.15	0.07	250
1270-1806	JB12KFSM-18-06	M18-1.5	3/8	9.5	1.97	50.0	0.91	23.0	0.87	22.0	0.94	24.0	0.26	0.12	100
1270-2208	JB12KFSM-22-08	M22-1.5	1/2	12.7	2.17	55.0	0.94	24.0	1.06	27.0	1.06	27.0	0.35	0.16	70
1270-2410	JB12KFSM-24-10	M24-1.5	5/8	15.9	2.72	69.0	1.22	31.0	1.06	27.0	1.26	32.0	0.51	0.23	32
1270-3012	JB12KFSM-30-12	M30-1.5	3/4	19.1	2.99	76.0	1.46	37.0	1.26	32.0	1.42	36.0	0.66	0.30	15
1270-3316	JB12KFSM-33-16	M33-1.5	1	25.4	3.11	79.0	1.34	34.0	1.42	36.0	1.61	41.0	1.16	0.53	15

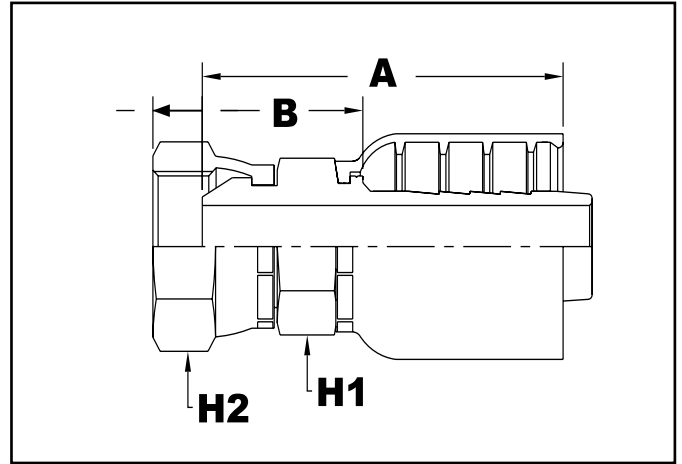
*Standard Pack is 1.

We disclaim any liability for use of our products in applications other than which they are designed.

WARNING: This product can expose you to chemicals including lead, which is known to the State of California to cause cancer, birth defects or other reproductive harm. For more information visit www.P65WARNINGS.ca.gov

1271 SERIES

**JB12FSM SERIES
Female Swivel - 60° Cone DIN - Metric**



HYDRAULIC COUPLINGS - 12/JB12

Catalog Part Number	Descriptive Part Number	Thread	Hose Inside Diameter		"A" Dimension Overall Length		"B" Dimension Cut-Off Length		Hex Sizes				Weight		Bulk Pack
			inch	mm	inch	mm	inch	mm	H1		H2		lbs.	kg	qty
									inch	mm	inch	mm			
1271-1604	JB12FSM-16-04	M16-1.5	1/4	6.4	1.77	45.0	0.98	25.0	0.75	19.0	0.75	19.0	0.20	0.09	200
1271-1804	JB12FSM-18-04	M18-1.5	1/4	6.4	1.77	45.0	0.98	25.0	0.87	22.0	0.87	22.0	0.22	0.10	150
1271-2005	JB12FSM-20-05	M20-1.5	5/16	7.9	1.89	48.0	1.02	26.0	0.94	24.0	0.94	24.0	0.26	0.12	100
1271-2006	JB12FSM-20-06	M20-1.5	3/8	9.5	2.17	55.0	1.10	28.0	0.94	24.0	0.94	24.0	0.26	0.12	130
1271-2206	JB12FSM-22-06	M22-1.5	3/8	9.5	2.17	55.0	1.10	28.0	1.02	26.0	1.02	26.0	0.31	0.14	100
1271-2408	JB12FSM-24-08	M24-1.5	1/2	12.7	2.36	60.0	1.14	29.0	1.18	30.0	1.18	30.0	0.44	0.20	80
1271-3012	JB12FSM-30-12	M30-1.5	3/4	19.1	2.80	71.0	1.26	32.0	1.42	36.0	1.42	36.0	0.70	0.32	50
1271-4216	JB12FSM-42-16	M42-1.5	1	19.1	3.19	81.0	1.42	36.0	1.97	50.0	1.97	50.0	1.21	0.55	8

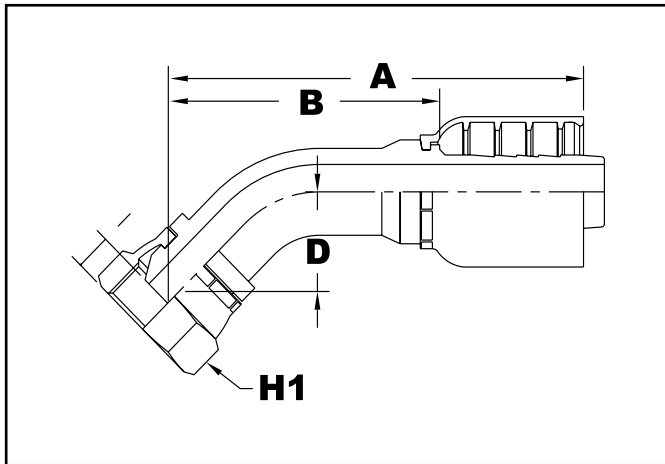
*Standard Pack is 1.

We disclaim any liability for use of our products in applications other than which they are designed.

WARNING: This product can expose you to chemicals including lead, which is known to the State of California to cause cancer, birth defects or other reproductive harm. For more information visit www.P65WARNINGS.ca.gov

JB12FSM45 SERIES
Female Swivel - 60° Cone
45° Elbow - Metric

1272 SERIES



Catalog Part Number	Descriptive Part Number	Thread	Hose Inside Diameter		"A" Dimension Overall Length		"B" Dimension Cut-Off Length		"D" Dimension Drop		Hex Size H1		Tube Outside Diameter		Weight		Bulk Pack
			inch	mm	inch	mm	inch	mm	inch	mm	inch	mm	inch	mm	lbs.	kg	qty
1272-1604	JB12FSM45-16-04	M16-1.5	1/4	6.4	2.24	57.0	1.46	37.0	0.63	16.0	1.42	36.0	0.39	10.0	0.11	0.05	100
1272-1804	JB12FSM45-18-04	M18-1.5	1/4	6.4	2.32	59.0	1.54	39.0	0.71	18.0	1.42	36.0	0.47	12.0	0.22	0.10	100
1272-2006	JB12FSM45-20-06	M20-1.5	3/8	9.5	2.80	71.0	1.73	44.0	0.71	18.0	1.42	36.0	0.47	12.0	0.33	0.15	100
1272-2206	JB12FSM45-22-06	M22-1.5	3/8	9.5	2.87	73.0	1.81	46.0	0.79	20.0	1.42	36.0	0.59	15.0	0.35	0.16	100
1272-2408	JB12FSM45-24-08	M24-1.5	1/2	12.7	3.27	83.0	2.01	51.0	0.79	20.0	1.42	36.0	0.63	16.0	0.35	0.16	50
1272-3012	JB12FSM45-30-12	M30-1.5	3/4	19.1	4.69	119.0	3.11	79.0	1.18	30.0	1.42	36.0	0.87	22.0	0.86	0.39	32
1272-3816	JB12FSM45-38-16	M38-1.5	1	25.4	4.88	124.0	3.11	79.0	1.30	33.0	1.61	41.0	1.10	28.0	1.46	0.66	6
1272-4520	JB12FSM45-45-20	M45-1.5	1-1/4	31.8	6.02	153.0	4.17	106.0	1.65	42.0	1.97	41.0	1.38	35.0	2.65	1.20	6

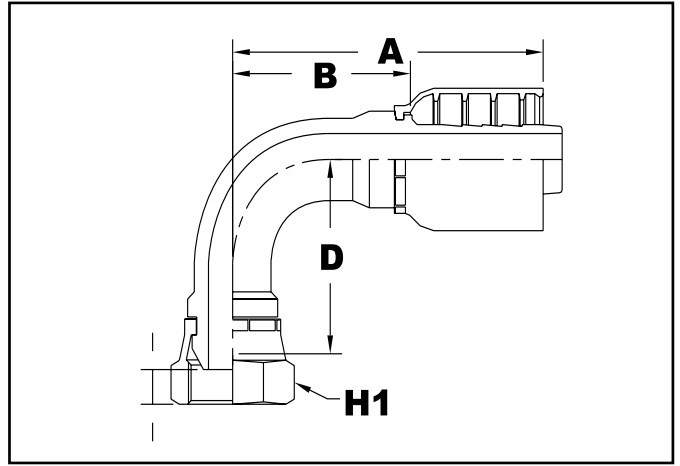
*Standard Pack is 1.

We disclaim any liability for use of our products in applications other than which they are designed.

WARNING: This product can expose you to chemicals including lead, which is known to the State of California to cause cancer, birth defects or other reproductive harm. For more information visit www.P65WARNINGS.ca.gov

1273 SERIES

JB12FS90M SERIES
Female Swivel - 60° Cone - DIN
90° Elbow - Metric



HYDRAULIC COUPLINGS - 12/JB12

Catalog Part Number	Descriptive Part Number	Thread	Hose Inside Diameter		"A" Dimension Overall Length		"B" Dimension Cut-Off Length		"D" Dimension Drop		Hex Size		Tube Outside Diameter		Weight		Bulk Pack
			inch	mm	inch	mm	inch	mm	inch	mm	inch	mm	inch	mm	lbs	kg	qty
1273-1604	JB12FS90M-16-04	M16-1.5	1/4	6.4	2.01	51.0	1.18	30.0	1.06	27.0	1.42	36.0	0.39	10	0.15	0.07	70
1273-1804	JB12FS90M-18-04	M18-1.5	1/4	6.4	2.01	51.0	1.18	30.0	1.14	29.0	1.42	36.0	0.47	12	0.22	0.10	70
1273-2006	JB12FS90M-20-06	M20-1.5	3/8	9.5	2.72	69.0	1.65	42.0	1.22	31.0	1.42	36.0	0.47	12	0.26	0.12	100
1273-2206	JB12FS90M-22-06	M22-1.5	3/8	9.5	2.72	69.0	1.65	42.0	1.30	33.0	1.42	36.0	0.59	15	0.29	0.13	50
1273-2408	JB12FS90M-24-08	M24-1.5	1/2	12.7	2.76	70.0	1.50	38.0	1.30	33.0	1.42	36.0	0.63	16	0.31	0.14	50
1273-3012	JB12FS90M-30-12	M30-1.5	3/4	19.1	3.98	101.0	2.40	61.0	2.09	53.0	1.42	36.0	0.87	22	0.86	0.39	32
1273-3816	JB12FS90M-38-16	M38-1.5	1	25.4	4.96	126.0	3.19	81.0	2.48	63.0	1.61	41.0	1.10	28	1.65	0.75	3
1273-4520	JB12FS90M-45-20	M45-1.5	1	25.4	5.51	140.0	3.66	93.0	3.35	85.0	1.97	50.0	1.38	35	2.21	1.00	3

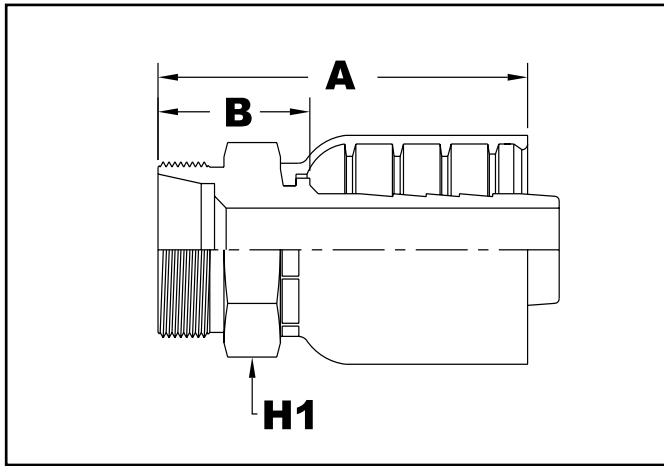
*Standard Pack is 1.

We disclaim any liability for use of our products in applications other than which they are designed.

WARNING: This product can expose you to chemicals including lead, which is known to the State of California to cause cancer, birth defects or other reproductive harm. For more information visit www.P65WARNINGS.ca.gov

JB12MM SERIES
Male 24° DIN - Metric
L Series (Light)

1275 SERIES



Catalog Part Number	Descriptive Part Number	Thread	Hose Inside Diameter		"A" Dimension Overall Length		"B" Dimension Cut-Off Length		Hex Size		Tube Outside Diameter		Weight		Bulk Pack
			inch	mm	inch	mm	inch	mm	inch	mm	inch	mm	lbs.	kg	qty
1275-1404	JB12MM-14-04	M14-1.5	1/4	6.4	1.65	42.0	0.87	22.0	0.67	17.0	0.31	8	0.10	0.05	250
1275-1606	JB12MM-16-06	M16-1.5	3/8	9.5	1.97	50.0	0.91	23.0	0.67	17.0	0.39	10	0.19	0.09	130
1275-1806	JB12MM-18-06	M18-1.5	3/8	9.5	2.01	51.0	0.94	24.0	0.75	19.0	0.47	12	0.19	0.09	130
1275-2208	JB12MM-22-08	M22-1.5	1/2	12.7	2.20	56.0	0.98	25.0	0.87	22.0	0.59	15	0.26	0.12	80
1275-2610	JB12MM-26-10	M26-1.5	5/8	15.9	2.52	64.0	1.02	26.0	1.06	27.0	0.71	18	0.34	0.16	60
1275-3012	JB12MM-30-12	M30-2.0	3/4	19.1	2.68	68.0	1.14	29.0	1.18	30.0	0.87	22	0.51	0.23	50
1275-3616	JB12MM-36-16	M36-2.0	1	25.4	2.99	76.0	1.22	31.0	1.42	36.0	1.10	28	0.87	0.39	8
1275-4520	JB12MM-45-20	M45-2.0	1-1/4	31.8	3.46	88.0	1.61	41.0	1.81	46.0	1.38	35	1.32	0.60	8

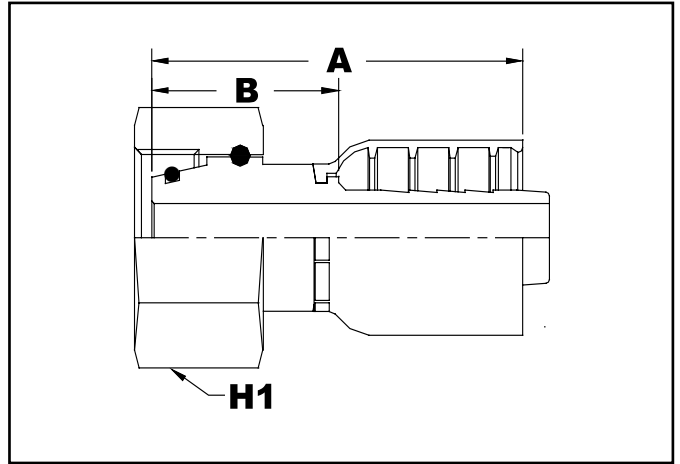
*Standard Pack is 1.

We disclaim any liability for use of our products in applications other than which they are designed.

WARNING: This product can expose you to chemicals including lead, which is known to the State of California to cause cancer, birth defects or other reproductive harm. For more information visit www.P65WARNINGS.ca.gov

1277 SERIES

JB12LFSORM SERIES
Female Swivel O-Ring - 24° Cone
L Series (Light) DIN 3865 - Metric



HYDRAULIC COUPLINGS - 12/JB12

Catalog Part Number	Descriptive Part Number	Thread	Hose Inside Diameter		"A" Dimension Overall Length		"B" Dimension Cut-Off Length		Hex Size		Tube Outside Diameter		Weight		Bulk Pack
			inch	mm	inch	mm	inch	mm	inch	mm	inch	mm	lbs.	kg	
1277-1204	JB12LFSORM-12-04	M12-1.5	1/4	6.4	1.68	42.7	0.86	21.9	0.55	14.0	0.24	6.0	0.13	0.06	80
1277-1404	JB12LFSORM-14-04	M14-1.5	1/4	6.4	1.89	48.0	1.10	28.0	0.67	17.0	0.31	8.0	0.14	0.06	150
1277-1605	JB12LFSORM-16-05	M16-1.5	5/16	7.9	1.81	45.9	0.94	23.9	0.75	19.0	0.39	10.0	0.19	0.09	150
1277-1606	JB12LFSORM-16-06	M16-1.5	3/8	9.5	2.32	59.0	1.26	32.0	0.75	19.0	0.39	10.0	0.22	0.10	130
1277-1806	JB12LFSORM-18-06	M18-1.5	3/8	9.5	2.28	58.0	1.22	31.0	0.87	22.0	0.47	12.0	0.25	0.11	130
1277-2208	JB12LFSORM-22-08	M22-1.5	1/2	12.7	2.60	66.0	1.38	35.0	1.06	27.0	0.59	15.0	0.35	0.16	80
1277-2610	JB12LFSORM-26-10	M26-1.5	5/8	15.9	3.03	77.0	1.54	39.0	1.26	32.0	0.71	18.0	0.58	0.26	60
1277-3012	JB12LFSORM-30-12	M30-2.0	3/4	19.1	3.15	80.0	1.61	41.0	1.42	36.0	0.87	22.0	0.68	0.31	50
1277-3616	JB12LFSORM-36-16	M36-2.0	1	25.4	3.58	91.0	1.81	46.0	1.61	40.8	1.10	28.0	1.17	0.53	8
1277-4520	JB12LFSORM-45-20	M45-2.0	1-1/4	31.8	4.02	102.0	2.17	55.0	1.97	50.0	1.38	35.0	1.76	0.80	8
1277-5224	JB12LFSORM-52-24	M52-2.0	1-1/2	38.1	4.17	105.9	1.82	46.2	2.36	59.9	1.65	42.0	3.02	1.37	8

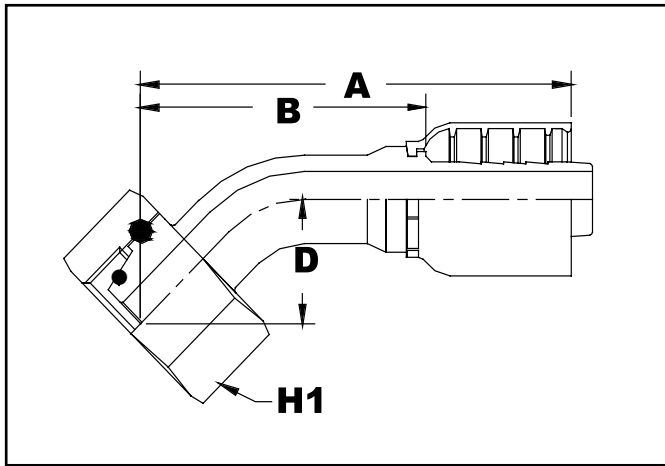
*Standard Pack is 1.

We disclaim any liability for use of our products in applications other than which they are designed.

WARNING: This product can expose you to chemicals including lead, which is known to the State of California to cause cancer, birth defects or other reproductive harm. For more information visit www.P65WARNINGS.ca.gov

JB12LFSORM45 SERIES
Female Swivel O-Ring - 24° Cone
Series (Light) DIN 3865 - 45° Elbow - Metric

1278 SERIES



Catalog Part Number	Descriptive Part Number	Thread	Hose Inside Diameter		"A" Dimension Overall Length		"B" Dimension Cut-Off Length		"D" Dimension Drop		Hex Size		Tube Outside Diameter		Weight		Bulk Pack
			inch	mm	inch	mm	inch	mm	inch	mm	inch	mm	inch	mm	lbs.	kg	
1278-1204	JB12LFSORM45-12-04	M12-1.5	1/4	6.4	2.24	57.0	1.42	36.0	0.59	15.0	0.55	14.0	0.24	6.0	0.14	0.06	130
1278-1404	JB12LFSORM45-14-04	M14-1.5	1/4	6.4	2.36	60.0	1.54	39.0	0.71	18.0	0.67	17.0	0.31	8.0	0.14	0.06	250
1278-1604	JB12LFSORM45-16-04	M16-1.5	1/4	6.4	2.44	62.0	1.61	41.0	0.75	19.0	0.75	19.0	0.39	10.0	0.17	0.08	100
1278-1605	JB12LFSORM45-16-05	M16-1.5	5/16	7.9	1.72	43.8	0.86	21.8	0.82	20.8	0.55	14.0	0.39	10.0	0.21	0.10	100
1278-1805	JB12LFSORM45-18-05	M18-1.5	5/16	7.9	2.01	51.0	1.14	29.0	1.48	37.6	0.87	22.0	0.47	12.0	0.22	0.10	100
1278-1606	JB12LFSORM45-16-06	M16-1.5	3/8	9.5	2.87	73.0	1.81	46.0	0.83	21.0	0.75	19.0	0.39	10.0	0.25	0.11	100
1278-1806	JB12LFSORM45-18-06	M18-1.5	3/8	9.5	2.87	73.0	1.81	46.0	0.83	21.0	0.87	22.0	0.47	12.0	0.24	0.11	100
1278-2208	JB12LFSORM45-22-08	M22-1.5	1/2	12.7	3.43	87.0	2.17	55.0	1.10	28.0	1.06	27.0	0.59	15.0	0.35	0.16	50
1278-2610	JB12LFSORM45-26-10	M26-1.5	5/8	15.9	4.02	102.0	2.48	63.0	1.18	30.0	1.26	32.0	0.71	18.0	0.54	0.24	50
1278-3010	JB12LFSORM45-30-10	M30-2.0	5/8	15.9	4.29	108.9	2.77	70.4	1.42	36.0	1.42	36.0	0.87	22.0	0.68	0.31	50
1278-2612	JB12LFSORM45-26-12	M26-1.5	3/4	19.1	4.92	125.0	3.35	85.0	1.50	38.0	1.26	32.0	0.71	18.0	0.75	0.34	32
1278-3012	JB12LFSORM45-30-12	M30-2.0	3/4	19.1	4.84	123.0	3.27	83.0	1.42	36.0	1.42	36.0	0.87	22.0	0.86	0.39	32
1278-3612	JB12LFSORM45-36-12	M36-2.0	3/4	19.1	4.84	123.0	3.27	83.0	1.42	36.0	1.61	41.0	1.10	28.0	0.90	0.41	36
1278-3616	JB12LFSORM45-36-16	M36-2.0	1	25.4	5.08	129.0	3.31	84.0	1.46	37.0	1.61	41.0	1.10	28.0	1.52	0.69	6
1278-4520	JB12LFSORM45-45-20	M45-2.0	1-1/4	31.8	6.18	157.0	4.33	110.0	1.85	47.0	1.97	50.0	1.38	35.0	3.33	1.51	6
1278-5224	JB12LFSORM45-5224	M52-2.0	1-1/2	38.1	7.09	180.0	4.72	120.0	2.48	63.0	2.36	60.0	1.77	45.0	8.16	3.70	6

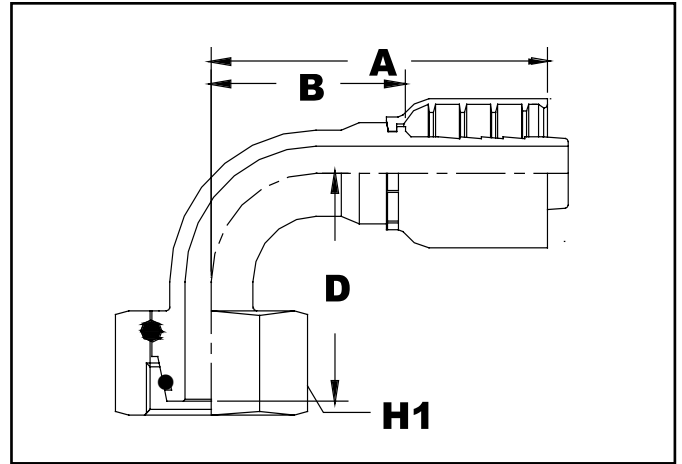
*Standard Pack is 1.

We disclaim any liability for use of our products in applications other than which they are designed.

WARNING: This product can expose you to chemicals including carbon black, which is known to the State of California to cause cancer, birth defects or other reproductive harm. For more information visit www.P65WARNINGS.ca.gov

1279 SERIES

JB12LFSORM90 SERIES
Female Swivel O-Ring - 24° Cone
L Series (Light) DIN 3865 - 90° Elbow - Metric



HYDRAULIC COUPLINGS - 12/JB12

Catalog Part Number	Descriptive Part Number	Thread	Hose Inside Diameter		"A" Dimension Overall Length		"B" Dimension Cut-Off Length		"D" Dimension Drop		Hex Size H1		Tube Outside Diameter		Weight		Bulk Pack qty
			inch	mm	inch	mm	inch	mm	inch	mm	inch	mm	inch	mm	lbs.	kg	
1279-1204	JB12LFSORM90-12-04	M12-1.5	1/4	6.4	2.01	51.0	1.18	30.0	1.02	26.0	0.55	14.0	0.24	6.0	0.14	0.06	110
1279-1404	JB12LFSORM90-14-04	M14-1.5	1/4	6.4	2.01	51.0	1.18	30.0	1.18	30.0	0.67	17.0	0.31	8.0	0.16	0.07	70
1279-1604	JB12LFSORM90-16-04	M16-1.5	1/4	6.4	2.01	51.0	1.18	30.0	1.22	31.0	0.75	19.0	0.39	10.0	0.18	0.08	70
1279-1605	JB12LFSORM90-16-05	M16-1.5	5/16	7.9	2.01	51.0	1.14	29.0	1.48	37.6	0.75	19.0	0.39	10.0	0.21	0.10	70
1279-1805	JB12LFSORM90-18-05	M18-1.5	5/16	7.9	2.01	51.0	1.14	29.0	1.30	33.0	0.87	22.0	0.47	12.0	0.24	0.11	70
1279-1606	JB12LFSORM90-16-06	M16-1.5	3/8	9.5	2.72	69.0	1.65	42.0	1.26	32.0	0.87	22.0	0.39	10.0	0.24	0.11	100
1279-1806	JB12LFSORM90-18-06	M18-1.5	3/8	9.5	2.72	69.0	1.65	42.0	1.30	33.0	0.87	22.0	0.47	12.0	0.26	0.12	100
1279-2208	JB12LFSORM90-22-08	M22-1.5	1/2	12.7	2.76	70.0	1.50	38.0	1.46	37.0	1.06	27.0	0.59	15.0	0.39	0.18	50
1279-2610	JB12LFSORM90-26-10	M26-1.5	5/8	15.9	2.80	71.0	1.65	42.0	2.01	51.0	1.26	32.0	0.71	18.0	0.82	0.37	50
1279-3010	JB12LFSORM90-30-10	M30-2.0	5/8	15.9	3.64	92.5	2.11	53.7	2.32	59.0	1.42	36.0	0.87	22.0	0.82	0.37	50
1279-2612	JB12LFSORM90-26-12	M26-1.5	3/4	19.1	3.98	101.0	2.40	61.0	2.48	63.0	1.26	32.0	0.71	18.0	0.68	0.31	32
1279-3012	JB12LFSORM90-30-12	M30-2.0	3/4	19.1	3.98	101.0	2.40	61.0	2.40	61.0	1.42	36.0	0.87	22.0	0.97	0.44	32
1279-3612	JB12LFSORM90-36-12	M36-2.0	3/4	19.1	3.98	101.0	2.40	61.0	2.40	61.0	1.61	41.0	1.10	28.0	0.86	0.39	36
1279-3616	JB12LFSORM90-36-16	M36-2.0	1	25.4	4.96	126.0	3.19	81.0	2.68	68.0	1.61	41.0	1.10	28.0	1.66	0.75	3
1279-4520	JB12LFSORM90-45-20	M45-2.0	1-1/4	31.8	5.51	140.0	3.66	93.0	3.43	87.0	1.97	50.0	1.38	35.0	2.21	1.00	3
1279-5224	JB12LFSORM90-5224	M52-2.0	1-1/2	38.1	5.94	151.0	3.58	91.0	3.58	91.0	2.36	60.0	1.77	45.0	2.47	1.12	3

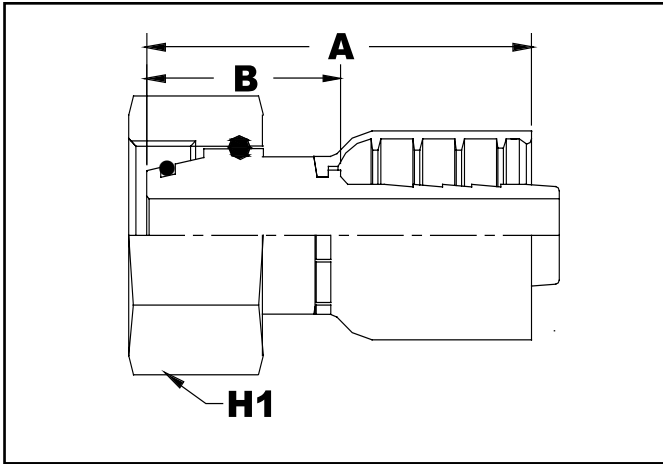
*Standard Pack is 1.

We disclaim any liability for use of our products in applications other than which they are designed.

WARNING: This product can expose you to chemicals including carbon black, which is known to the State of California to cause cancer, birth defects or other reproductive harm. For more information visit www.P65WARNINGS.ca.gov

JB12SFSORM SERIES
Female Swivel O-Ring - 24° Cone
Series (Standard) DIN 3865 - Metric

1280 SERIES



Catalog Part Number	Descriptive Part Number	Thread	Hose Inside Diameter		"A" Dimension Overall Length		"B" Dimension Cut-Off Length		Hex Size		Tube Outside Diameter		Weight		Bulk Pack
			inch	mm	inch	mm	inch	mm	inch	mm	inch	mm	lbs.	kg	
1280-1604	JB12SFSORM-16-04	M16-1.5	1/4	6.4	1.62	41.1	0.80	20.3	0.55	14.0	0.31	8.0	0.18	0.08	200
1280-1804	JB12SFSORM-18-04	M18-1.5	1/4	6.4	1.89	48.0	1.10	28.0	0.87	22.0	0.39	10.0	0.18	0.08	150
1280-2005	JB12SFSORM-20-05	M20-1.5	5/16	7.9	1.81	45.9	0.44	23.9	0.94	24.0	0.47	12.0	0.24	0.11	100
1280-1806	JB12SFSORM-18-06	M18-1.5	3/8	9.5	2.32	59.0	1.26	32.0	0.87	22.0	0.39	10.0	0.22	0.10	130
1280-2006	JB12SFSORM-20-06	M20-1.5	3/8	9.5	2.32	59.0	1.26	32.0	0.94	24.0	0.47	12.0	0.26	0.12	130
1280-2206	JB12SFSORM-22-06	M22-1.5	3/8	9.5	2.32	59.0	1.26	32.0	1.06	27.0	0.55	14.0	0.41	0.19	100
1280-2408	JB12SFSORM-24-08	M24-1.5	1/2	12.7	2.60	66.0	1.38	35.0	1.18	30.0	0.63	16.0	0.42	0.19	80
1280-3010	JB12SFSORM-30-10	M30-2.0	5/8	15.9	3.03	77.0	1.54	39.0	1.42	36.0	0.79	20.0	0.95	0.43	60
1280-3012	JB12SFSORM-30-12	M30-2.0	3/4	19.1	2.63	66.7	1.08	27.4	1.42	36.0	0.79	20.0	0.97	0.44	50
1280-3612	JB12SFSORM-36-12	M36-2.0	3/4	19.1	3.15	80.0	1.61	41.0	1.61	41.0	0.98	25.0	0.97	0.44	36
1280-3616	JB12SFSORM-36-16	M36-2.0	1	25.4	3.58	91.0	1.81	46.0	1.61	41.0	0.98	25.0	1.15	0.52	8
1280-4216	JB12SFSORM-42-16	M42-2.0	1	25.4	3.58	91.0	1.81	46.0	1.97	50.0	1.18	30.0	1.45	0.66	8
1280-5220	JB12SFSORM-52-20	M52-2.0	1-1/4	31.8	4.02	102.0	2.17	55.0	2.36	60.0	1.50	38.0	1.93	0.88	8
1280-5224	JB12SFSORM-52-24	M52-2.0	1-1/2	38.1	4.76	121.0	2.44	62.0	2.36	60.0	1.50	38.0	2.38	1.08	8

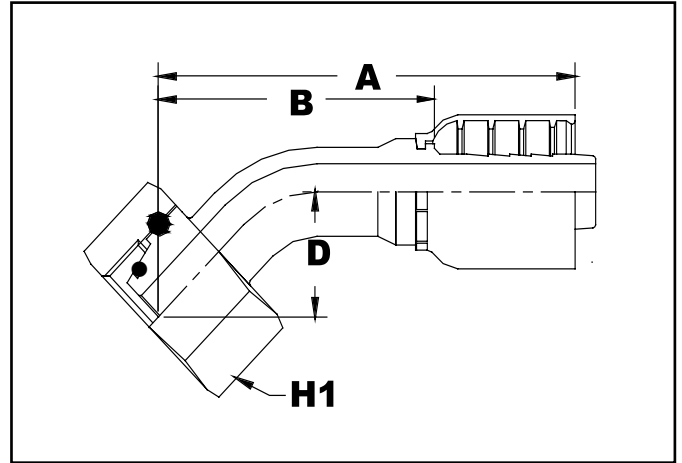
*Standard Pack is 1.

We disclaim any liability for use of our products in applications other than which they are designed.

WARNING: This product can expose you to chemicals including carbon black, which is known to the State of California to cause cancer, birth defects or other reproductive harm. For more information visit www.P65WARNINGS.ca.gov

1281 SERIES

JB12SFSORM45 SERIES
Female Swivel O-Ring - 24° Cone
S (Standard) DIN 3865 - 45° Elbow - Metric



HYDRAULIC COUPLINGS - 12/JB12

Catalog Part Number	Descriptive Part Number	Thread	Hose Inside Diameter		"A" Dimension Overall Length		"B" Dimension Cut-Off Length		"D" Dimension Drop		Hex Sizes		Tube Outside Diameter		Weight		Bulk Pack
			inch	mm	inch	mm	inch	mm	inch	mm	inch	mm	inch	mm	lbs.	kg	
1281-1604	JB12SFSORM45-16-04	M16-1.5	1/4	6.4	2.31	58.8	1.50	38.0	0.79	20.0	0.75	19.0	0.31	8.0	0.17	0.08	100
1281-1804	JB12SFSORM45-18-04	M18-1.5	1/4	6.4	2.52	64.0	1.69	43.0	0.83	21.0	0.87	22.0	0.39	10.0	0.10	0.05	100
1281-2005	JB12SFSORM45-20-05	M20-1.5	5/16	7.9	2.83	72.0	1.97	50.0	0.94	24.0	0.94	24.0	0.47	12.0	0.26	0.12	80
1281-1806	JB12SFSORM45-18-06	M18-1.5	3/8	9.5	2.95	75.0	1.89	48.0	0.91	23.0	0.87	22.0	0.39	10.0	0.20	0.09	100
1281-2006	JB12SFSORM45-20-06	M20-1.5	3/8	9.5	2.95	75.0	1.89	48.0	0.91	23.0	0.94	24.0	0.47	12.0	0.28	0.13	100
1281-2206	JB12SFSORM45-22-06	M22-1.5	3/8	9.5	2.95	75.0	1.89	48.0	0.91	23.0	1.06	27.0	0.55	14.0	0.17	0.08	100
1281-2408	JB12SFSORM45-24-08	M24-1.5	1/2	12.7	3.50	89.0	2.24	57.0	1.18	30.0	1.26	32.0	0.63	16.0	0.46	0.21	50
1281-3010	JB12SFSORM45-30-10	M30-2.0	5/8	15.9	3.94	100.0	2.40	61.0	1.10	28.0	1.42	36.0	0.79	20.0	0.29	0.13	50
1281-3012	JB12SFSORM45-30-12	M30-2.0	3/4	19.1	4.84	123.0	3.27	83.0	1.42	36.0	1.42	36.0	0.79	20.0	0.84	0.38	32
1281-3612	JB12SFSORM45-36-12	M36-2.0	3/4	19.1	4.88	124.0	3.31	84.0	1.46	37.0	1.81	46.0	0.98	25.0	1.13	0.51	36
1281-3616	JB12SFSORM45-36-16	M36-1.5	1	25.4	5.12	130.0	3.35	85.0	1.50	38.0	1.81	46.0	0.98	25.0	1.52	0.69	6
1281-4216	JB12SFSORM45-42-16	M42-2.0	1	25.4	5.12	130.0	3.35	85.0	1.50	38.0	1.97	50.0	1.18	30.0	1.41	0.64	6
1281-5220	JB12SFSORM45-52-20	M52-2.0	1-1/4	31.8	6.22	158.0	4.37	111.0	1.89	48.0	2.36	60.0	1.50	38.0	2.23	1.01	6
1281-5224	JB12SFSORM45-52-24	M52-2.0	1-1/2	38.1	7.05	179.0	4.69	119.0	2.44	62.0	2.36	60.0	1.50	38.0	3.33	1.51	6

*Standard Pack is 1.

We disclaim any liability for use of our products in applications other than which they are designed.

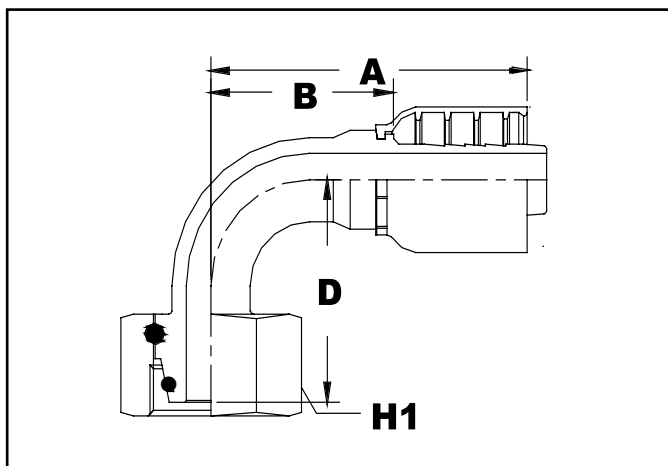
WARNING: This product can expose you to chemicals including carbon black, which is known to the State of California to cause cancer, birth defects or other reproductive harm. For more information visit www.P65WARNINGS.ca.gov

JB12SFSORM90 SERIES

Female Swivel O-Ring - 24° Cone

S (Standard) DIN 3865 - 90° Elbow - Metric

1282 SERIES



Catalog Part Number	Descriptive Part Number	Thread	Hose Inside Diameter		"A" Dimension Overall Length		"B" Dimension Cut-Off Length		"D" Dimension Drop		Hex Size		Tube Outside Diameter		Weight		Bulk Pack
			inch	mm	inch	mm	inch	mm	inch	mm	inch	mm	inch	mm	lbs.	kg	qty
1282-1804	JB12SFSORM90-18-04	M18-1.5	1/4	6.4	2.01	51.0	1.18	30.0	1.34	34.0	0.87	22.0	0.39	10.0	0.19	0.09	70
1282-2005	JB12SFSORM90-20-05	M20-1.5	5/16	7.9	2.01	51.0	1.14	29.0	1.46	37.0	0.94	24.0	0.47	12.0	0.29	0.13	70
1282-1806	JB12SFSORM90-18-06	M18-1.5	3/8	9.5	2.72	69.0	1.65	42.0	1.38	35.0	0.87	22.0	0.39	10.0	0.25	0.12	100
1282-2006	JB12SFSORM90-20-06	M20-1.5	3/8	9.5	2.72	69.0	1.65	42.0	1.38	35.0	0.94	24.0	0.47	12.0	0.32	0.15	100
1282-2206	JB12SFSORM90-22-06	M22-1.5	3/8	9.5	2.72	69.0	1.65	42.0	1.42	36.0	1.06	27.0	0.55	14.0	0.17	0.08	50
1282-2408	JB12SFSORM90-24-08	M24-1.5	1/2	12.7	2.76	70.0	1.50	38.0	1.57	40.0	1.18	30.0	0.63	16.0	0.48	0.22	50
1282-3010	JB12SFSORM90-30-10	M30-2.0	5/8	15.9	2.80	71.0	1.65	42.0	1.93	49.0	1.42	36.0	0.79	20.0	1.15	0.52	50
1282-3012	JB12SFSORM90-30-12	M30-2.0	3/4	19.1	3.98	101.0	2.40	61.0	2.40	61.0	1.42	36.0	0.79	20.0	0.97	0.44	32
1282-3612	JB12SFSORM90-36-12	M36-2.0	3/4	19.1	3.98	101.0	2.40	61.0	2.44	62.0	1.61	41.0	0.98	25.0	1.25	0.57	36
1282-3616	JB12SFSORM90-36-16	M36-2.0	1	25.4	4.96	126.0	3.19	81.0	2.72	69.0	1.61	41.0	0.98	25.0	1.57	0.71	3
1282-4216	JB12SFSORM90-42-16	M42-2.0	1	25.4	4.96	126.0	3.19	81.0	2.76	70.0	1.97	50.0	1.18	30.0	1.77	0.80	3
1282-5220	JB12SFSORM90-52-20	M52-2.0	1-1/4	31.8	5.51	140.0	3.66	93.0	3.39	86.0	2.36	60.0	1.50	38.0	2.47	1.22	3
1282-5224	JB12SFSORM90-52-24	M52-2.0	1-1/2	38.1	5.94	151.0	3.58	91.0	3.54	90.0	2.36	60.0	1.50	38.0	2.47	1.22	3

*Standard Pack is 1.

We disclaim any liability for use of our products in applications other than which they are designed.

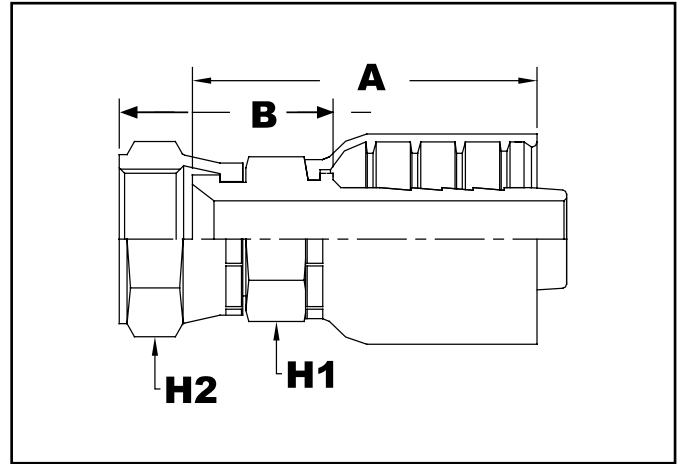
WARNING: This product can expose you to chemicals including carbon black, which is known to the State of California to cause cancer, birth defects or other reproductive harm. For more information visit www.P65WARNINGS.ca.gov

40/JB40 SERIES COUPLINGS - FOR 4-WIRE BRAID HOSES

<u>SERIES</u>	<u>DESCRIPTIVE</u>	<u>DESCRIPTION</u> <u>SERIES</u>	<u>PAGE</u>
4000	JB40FS	Female Swivel 37° Flare	105
4002	JB40FS45	Female Swivel 37° Flare, 45° Elbow	106
4004	JB40FS90	Female Swivel 37° Flare, 90° Elbow	107
4004L	NEW! JB40FS90L	Female Swivel 37° Flare, 90° Elbow - Long Drop	108
4005	JB40OFS	Female O-Ring Face Seal - Straight	109
4007	JB40FOFS45	Female O-Ring Face Seal - 45° Elbow	110
4009	JB40OFS90	Female O-Ring Face Seal - 90° Elbow	111
4010	JB40FA	Female Swivel SAE 45° Flare	112
4020	JB40MP	Male Pipe Rigid NPTF	113
4023	JB40MS	Male Pipe Swivel NPTF	114
4025	JB40MJ	Male JIC 37°	115
4027	JB40OB	Male O-Ring Boss	116
4030	JB40JISMP	Male JIS/BSP Taper Pipe - Metric	117
4032	NEW! JB40MOFS	SAE Male O-Ring Face Seal	118
4034	JB40C61S	SAE Code 61 Flange Straight	119
4036	JB40C6145	SAE Code 61 Flange 45° Elbow	120
4039	JB40C6290	SAE Code 62 Flange 90° Elbow	121
4039L	JB40C6190L	SAE Code 61 Flange 90° Elbow - Long Drop	122
4041	JB40C62S	SAE Code 62 Flange Straight	123
4043	JB40C6245	SAE Code 62 Flange 45° Elbow	124
4045	JB40C6290	SAE Code 62 Flange 90° Elbow	125
4048	JB40FSPPBSP	Female Swivel Parallel Pipe - BSP 30° Cone Metric	126
4049	JB40FSPPBSP45	Female Swivel Parallel Pipe - BSP 30° Cone 45° Elbow - Metric	127
4050	JB40FSPPBSP90	Female Swivel Parallel Pipe - BSP 30° Cone 90° Elbow - Metric	128
4052	JB40FSPPJIS	Female Swivel Parallel Pipe - JIS 30° Cone - Metric	129
4054	JB40FSPPJIS45	Female Swivel Parallel Pipe - JIS 30° Cone 45° Elbow - Metric	130
4056	JB40FSPPJIS90	Female Swivel Parallel Pipe - JIS 30° Cone 90° Elbow - Metric	131
4070	JB40KFSM	Female Swivel Komatsu 30° Flare Metric	132
4071	JB40FSM	Female Swivel 60° Cone - Metric	133
4072	JB40FS45M	Female Swivel 60° Cone - 45° Elbow - Metric	134
4073	JB40FS90M	Female Swivel 60° Cone - 90° Elbow - Metric	135
4075	JB40MM	Male DIN 24° Metric	136
4077	JB40LFSORM	Female Swivel O-Ring 24° Cone DIN 3865 L-Series Metric	137
4078	JB40LFSORM45	Female Swivel O-Ring 24° Cone DIN 3865 L-Series - 45° Elbow Metric	138
4079	JB40LFSORM90	Female Swivel O-Ring 24° Cone DIN 3865 L-Series - 90° Elbow Metric	139
4080	JB40FSORM	Female Swivel O-Ring 24° Cone DIN 3865 S-Series - Metric	140
4081	JB40FSORM45	Female Swivel O-Ring 24° Cone DIN 3865 S-Series - 45° Elbow Metric	141
4082	JB40FSORM90	Female Swivel O-Ring 24° Cone DIN 3865 S-Series - 90° Elbow Metric	142

JB40FS SERIES
Female Swivel JIC 37° Flare

4000 SERIES



Catalog Part Number	Descriptive Part Number	Thread	Hose Inside Diameter		"A" Dimension Overall Length		"B" Dimension Cut-Off Length		Hex Sizes				Weight		Bulk Pack
			inch	mm	inch	mm	inch	mm	H1		H2		lbs.	kg	qty
4000-0606	JB40FS-06-06	9/16-18	3/8	9.5	2.01	51.0	0.91	23.0	0.69	17.4	0.69	17.4	0.24	0.11	130
4000-0806	JB40FS-08-06	3/4-16	3/8	9.5	2.01	51.0	0.91	23.0	0.69	17.4	0.87	22.2	0.29	0.13	130
4000-1006	JB40FS-10-06	7/8-14	3/8	9.5	2.01	51.0	0.91	23.0	0.87	22.2	1.00	25.4	0.29	0.13	100
4000-0808	JB40FS-08-08	3/4-16	1/2	12.7	2.13	54.0	0.91	23.0	0.87	22.2	0.87	22.2	0.34	0.15	100
4000-1008	JB40FS-10-08	7/8-14	1/2	12.7	2.20	56.0	0.94	24.0	0.87	22.2	1.00	25.4	0.35	0.16	80
4000-1208	JB40FS-12-08	1-1/16-12	1/2	12.7	2.41	61.2	1.11	28.2	0.87	22.2	1.00	25.4	0.46	0.21	50
4000-1212	JB40FS-12-12	1-1/16-12	3/4	19.1	2.64	67.0	1.06	27.0	1.06	26.9	1.25	31.7	0.58	0.27	50
4000-1412	JB40FS-14-12	1-3/16-12	3/4	19.1	2.70	68.6	1.13	28.8	1.26	32.0	1.38	35.0	0.68	0.31	50
4000-1612	JB40FS-16-12	1-5/16-12	3/4	19.1	2.81	71.3	1.24	31.5	1.26	32.0	1.25	31.8	0.85	0.39	50
4000-1216	JB40FS-12-16	1-1/16-12	1	25.4	3.01	76.5	1.18	30.0	1.81	46.0	1.97	50.0	0.95	0.43	36
4000-1616	JB40FS-16-16	1-5/16-12	1	25.4	3.11	79.0	1.30	33.0	1.50	38.1	1.37	34.9	1.15	0.52	36
4000-2016	JB40FS-20-16	1-5/8-12	1	25.4	3.23	82.0	1.34	34.0	1.62	41.2	2.00	50.8	1.43	0.65	15
4000-2020	JB40FS-20-20	1-5/8-12	1-1/4	31.8	3.23	82.0	1.38	35.0	1.87	47.6	2.00	50.8	1.94	0.88	15
4000-2424	JB40FS-24-24	1-7/8-12	1-1/2	38.1	4.02	102.0	1.69	43.0	2.12	53.9	2.12	53.9	2.49	1.13	12
4000-3232	JB40FS-32-32	2-1/2-12	2	50.8	4.96	126.0	2.17	55.0	2.50	73.0	2.87	73.0	4.55	2.07	8

*Standard Pack is 1.

We disclaim any liability for use of our products in applications other than which they are designed.

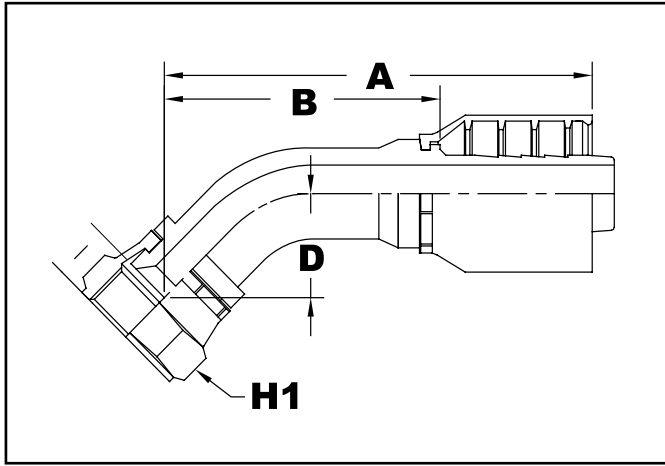
WARNING: This product can expose you to chemicals including lead, which is known to the State of California to cause cancer, birth defects or other reproductive harm. For more information visit www.P65WARNINGS.ca.gov

HYDRAULIC COUPLINGS - 40/JB40

4002 SERIES

JB40FS45 SERIES

Female Swivel - JIC 37° Flare - 45° Elbow



HYDRAULIC COUPLINGS - 40/JB40

Catalog Part Number	Descriptive Part Number	Thread	Hose Inside Diameter		"A" Dimension Overall Length		"B" Dimension Cut-Off Length		"D" Dimension Drop		Hex Size		Weight		Bulk Pack
			inch	mm	inch	mm	inch	mm	inch	mm	inch	mm	lbs.	kg	qty
4002-0606	JB40FS45-06-06	9/16-18	3/8	9.5	2.72	69.0	1.65	42.0	0.63	16.0	0.69	17.4	0.24	0.11	130
4002-0806	JB40FS45-08-06	3/4-16	3/8	9.5	2.72	69.0	1.65	42.0	0.63	16.0	0.87	22.2	0.26	0.12	130
4002-1006	JB40FS45-10-06	7/8-14	3/8	9.5	2.93	74.5	1.87	47.5	0.75	19.0	1.06	27.0	0.29	0.13	80
4002-0808	JB40FS45-08-08	3/4-16	1/2	12.7	3.19	81.0	1.93	49.0	0.75	19.0	0.87	22.2	0.35	0.16	80
4002-1008	JB40FS45-10-08	7/8-14	1/2	12.7	3.19	81.0	1.93	49.0	0.75	19.0	1.00	25.4	0.42	0.19	80
4002-1212	JB40FS45-12-12	1-1/16-12	3/4	19.1	4.53	115.0	2.95	75.0	1.02	26.0	1.25	31.7	0.82	0.37	32
4002-1616	JB40FS45-16-16	1-5/16-12	1	25.4	4.80	122.0	3.03	77.0	1.22	31.0	1.50	38.1	1.39	0.63	18
4002-2020	JB40FS45-20-20	1-5/8-12	1-1/4	31.8	5.91	150.0	4.06	103.0	1.57	40.0	2.00	50.8	2.40	1.09	12
4002-2424	JB40FS45-24-24	1-7/8-12	1-1/2	38.1	6.89	175.0	4.53	115.0	1.81	46.0	2.12	53.9	2.49	1.13	10
4002-3232	JB40FS45-32-32	2-1/2-12	2	50.8	8.31	211.0	5.51	140.0	2.44	62.0	2.87	73.0	6.65	3.02	6

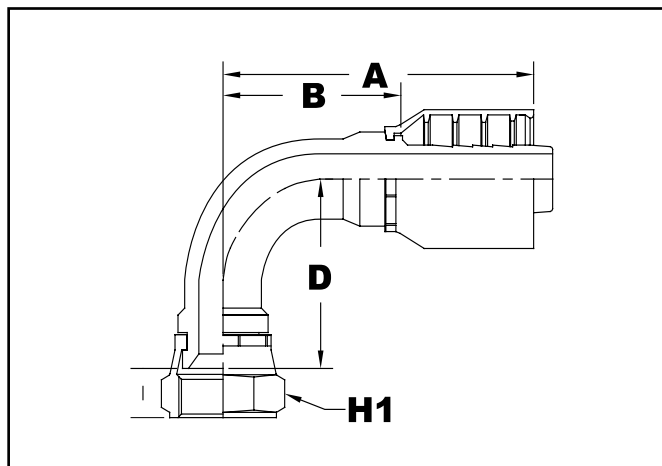
*Standard Pack is 1.

We disclaim any liability for use of our products in applications other than which they are designed.

WARNING: This product can expose you to chemicals including lead, which is known to the State of California to cause cancer, birth defects or other reproductive harm. For more information visit www.P65WARNINGS.ca.gov

JB40FS90 SERIES
Female Swivel
JIC 37° Flare - 90° Elbow

4004 SERIES



Catalog Part Number	Descriptive Part Number	Thread	Hose Inside Diameter		"A" Dimension Overall Length		"B" Dimension Cut-Off Length		"D" Dimension Drop		Hex Size		Weight		Bulk Pack
			inch	mm	inch	mm	inch	mm	inch	mm	inch	mm	lbs.	kg	qty
4004-0606	JB40FS90-06-06	9/16-18	3/8	9.5	2.76	70.0	1.65	42.0	1.14	29.0	0.69	17.4	0.24	0.11	110
4004-0806	JB40FS90-08-06	3/4-16	3/8	9.5	2.76	70.0	1.65	42.0	1.14	29.0	0.87	22.2	0.29	0.13	110
4004-0808	JB40FS90-08-08	3/4-16	1/2	12.7	2.80	71.0	1.50	38.0	1.22	31.0	0.87	22.2	0.37	0.17	70
4004-1008	JB40FS90-10-08	7/8-14	1/2	12.7	2.80	71.0	1.50	38.0	1.22	31.0	1.00	25.4	0.38	0.17	70
4004-1208	JB40FS90-12-08	1-1/16-12	1/2	12.7	2.80	71.0	1.50	38.0	1.22	31.0	1.25	31.7	0.44	0.20	50
4004-1212	JB40FS90-12-12	1-1/16-12	3/4	19.1	4.02	102.0	2.40	61.0	1.97	50.0	1.25	31.7	0.88	0.40	32
4004-1616	JB40FS90-16-16	1-5/16-12	1	25.4	5.04	128.0	3.19	81.0	2.44	62.0	1.50	38.1	1.57	0.71	15
4004-2020	JB40FS90-20-20	1-5/8-12	1-1/4	31.8	5.51	140.0	3.66	93.0	3.23	82.0	1.98	50.4	2.67	1.21	10
4004-2424	JB40FS90-24-24	1-7/8-12	1-1/2	38.1	5.94	151.0	3.58	91.0	3.39	86.0	2.12	53.9	3.30	1.50	7
4004-3232	JB40FS90-32-32	2-1/2-12	2	50.8	8.11	206.0	5.31	135.0	5.35	136.0	2.87	73.0	7.30	3.31	3

*Standard Pack is 1.

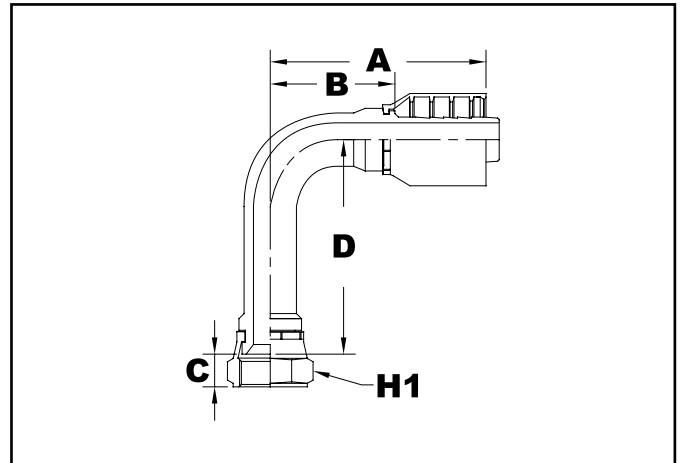
We disclaim any liability for use of our products in applications other than which they are designed.

WARNING: This product can expose you to chemicals including lead, which is known to the State of California to cause cancer, birth defects or other reproductive harm. For more information visit www.P65WARNINGS.ca.gov

4004L SERIES



JB40FS90L SERIES
Female Swivel JIC 37° Flare
90° Elbow - Long Drop



HYDRAULIC COUPLINGS - 40/JB40

Catalog Part Number	Descriptive Part Number	Thread	Hose Inside Diameter		"A" Dimension Overall Length		"B" Dimension Cut-Off Length		"D" Dimension Drop		Hex Size		Weight		Bulk Pack
			inch	mm	inch	mm	inch	mm	inch	mm	inch	mm	lbs.	kg	
4004L-0606	JB40FS90L-06-06	9/16-18	3/8	9.5	2.76	70.0	1.65	42.0	2.17	55.0	0.69	17.4	0.22	0.1	130
4004L-0806	JB40FS90L-08-06	3/4-16	3/8	9.5	2.76	70.0	1.65	42.0	2.44	62.0	0.87	22.2	0.26	0.12	130
4004L-0808	JB40FS90L-08-08	3/4-16	1/2	12.7	2.80	71.0	1.50	38.0	2.44	62.0	0.87	22.2	0.33	0.15	80
4004L-1008	JB40FS90L-10-08	7/8-14	1/2	12.7	2.80	71.0	1.50	38.0	2.56	65.0	1.00	25.4	0.35	0.16	80
4004L-1212	JB40FS90L-12-12	1-1/16-12	3/4	19.1	4.02	102.0	2.40	61.0	3.74	95.0	1.25	31.8	0.62	0.28	50
4004L-1616	JB40FS90L-16-16	1-5/16-12	1	25.4	5.04	128.0	2.40	61.0	4.33	110.0	1.50	38.1	1.06	0.48	36
4004L-2020	JB40FS90L-20-20	1-5/8-12	1-1/4	31.8	3.65	92.6	1.58	40.1	3.23	82	1.81	46	1.94	0.88	15
4004L-2424	JB40FS90L-24-24	1-7/8-12	1-1/2	38.1	4.43	112.4	1.69	42.9	3.39	86	2.17	55	2.47	1.12	12

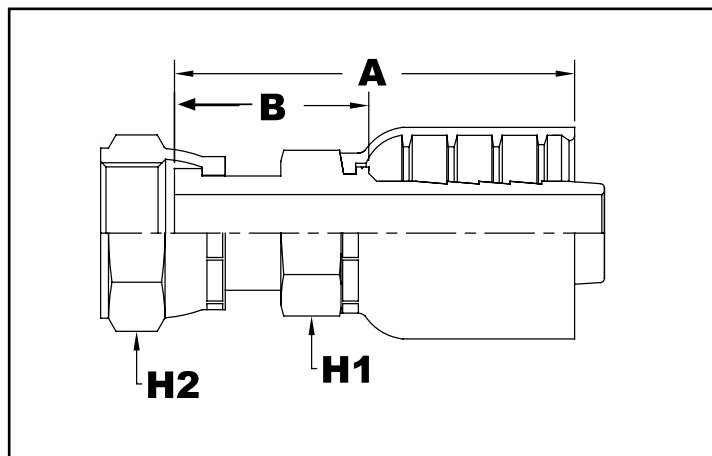
*Standard Pack is 1.

We disclaim any liability for use of our products in applications other than which they are designed.

WARNING: This product can expose you to chemicals including lead, which is known to the State of California to cause cancer, birth defects or other reproductive harm. For more information visit www.P65WARNINGS.ca.gov

JB40OFS SERIES Female O-Ring Face Seal - Straight

4005 SERIES



Catalog Part Number	Descriptive Part Number	Thread	Hose Inside Diameter		"A" Dimension Overall Length		"B" Dimension Cut-Off Length		Hex Sizes				Weight		Bulk Pack
			inch	mm	inch	mm	inch	mm	H1		H2		lbs.	kg	qty
4005-0606	JB40OFS-06-06	11/16-16	3/8	9.5	1.90	48.2	0.80	20.2	0.69	17.4	0.81	20.6	0.25	0.11	130
4005-0806	JB40OFS-08-06	13/16-16	3/8	9.5	2.24	57.0	1.14	29.0	0.69	17.4	0.94	23.8	0.31	0.14	130
4005-0608	JB40OFS-06-08	11/16-16	1/2	12.7	2.40	61.0	1.14	29.0	0.81	20.6	0.81	20.6	0.31	0.14	80
4005-0808	JB40OFS-08-08	13/16-16	1/2	12.7	2.52	64.0	1.26	32.0	0.81	20.6	0.94	23.8	0.35	0.16	80
4005-1012	JB40OFS-10-12	1-14	3/4	19.1	3.11	79.0	1.54	39.0	1.06	26.9	1.12	28.5	0.62	0.28	50
4005-1212	JB40OFS-12-12	1-3/16-12	3/4	19.1	3.19	81.0	1.61	41.0	1.12	28.5	1.37	34.9	0.76	0.35	50
4005-1612	JB40OFS-16-12	1-7/16-12	3/4	19.1	3.27	83.0	1.69	43.0	1.25	31.7	1.62	41.2	0.90	0.41	50
4005-1616	JB40OFS-16-16	1-7/16-12	1	25.4	3.62	92.0	1.77	45.0	1.37	34.9	1.62	41.2	1.17	0.53	36
4005-2016	JB40OFS-20-16	1-11/16-12	1	25.4	3.15	80.0	1.30	33.0	1.37	34.9	1.87	47.6	1.65	0.75	15
4005-1620	JB40OFS-16-20	1-7/16-12	1-1/4	31.8	3.58	91.0	1.73	44.0	1.75	44.4	1.62	41.2	1.92	0.87	15
4005-2020	JB40OFS-20-20	1-11/16-12	1-1/4	31.8	3.39	86.0	1.54	39.0	1.75	44.4	1.87	47.6	2.05	0.93	15
4005-2420	JB40OFS-24-20	2-12	1-1/4	31.8	3.46	88.0	1.61	41.0	1.75	44.4	2.25	57.1	2.40	1.09	12
4005-2424	JB40OFS-24-24	2-12	1-1/2	38.1	3.94	100.0	1.61	41.0	1.87	47.6	2.25	57.1	2.61	1.18	12

*Standard Pack is 1.

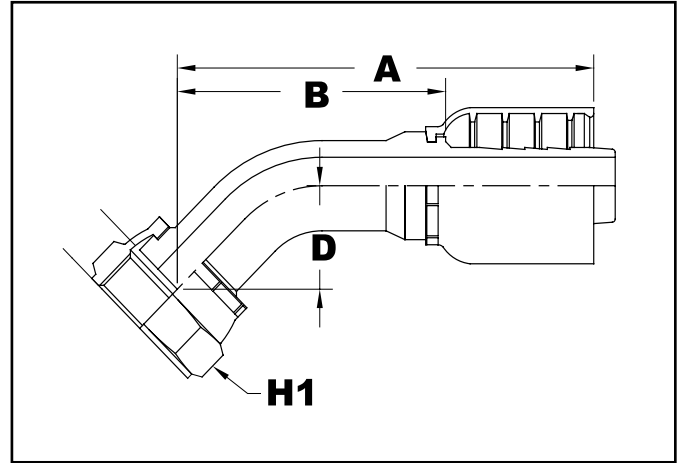
We disclaim any liability for use of our products in applications other than which they are designed.

⚠ WARNING: This product can expose you to chemicals including lead, which is known to the State of California to cause cancer, birth defects or other reproductive harm. For more information visit www.P65WARNINGS.ca.gov

HYDRAULIC COUPLINGS - 40/JB40

4007 SERIES

**JB40OFS45 SERIES
Female O-Ring Face Seal
45° Elbow**



HYDRAULIC COUPLINGS - 40/JB40

Catalog Part Number	Descriptive Part Number	Thread	Hose Inside Diameter		"A" Dimension Overall Length		"B" Dimension Cut-Off Length		"D" Dimension Drop		Hex Size		Weight		Bulk Pack
			inch	mm	inch	mm	inch	mm	inch	mm	inch	mm	lbs.	kg	
4007-0606	JB40OFS45-06-06	11/16-16	3/8	9.5	2.72	69.0	1.61	41.0	0.63	16.0	0.81	20.6	0.24	0.11	110
4007-0806	JB40OFS45-08-06	13/16-16	3/8	9.5	2.76	70.0	1.69	43.0	0.71	18.0	0.94	23.8	0.29	0.13	100
4007-0608	JB40OFS45-06-08	11/16-16	1/2	12.7	3.15	80.0	1.89	48.0	0.71	18.0	0.81	20.6	0.31	0.14	110
4007-0808	JB40OFS45-08-08	13/16-16	1/2	12.7	3.66	93.0	1.97	50.0	0.79	20.0	0.94	23.8	0.39	0.18	70
4007-1012	JB40OFS45-10-12	1-14	3/4	19.1	4.61	117.0	2.99	76.0	1.14	29.0	1.12	28.5	0.68	0.31	32
4007-1212	JB40OFS45-12-12	1-3/16-12	3/4	19.1	4.57	116.0	2.95	75.0	1.10	28.0	1.37	34.9	0.96	0.44	32
4007-1612	JB40OFS45-16-12	1-7/16-12	3/4	19.1	4.57	116.0	2.95	75.0	1.10	28.0	1.62	41.2	1.06	0.48	32
4007-1616	JB40OFS45-16-16	1-7/16-12	1	25.4	4.84	123.0	2.99	76.0	1.18	30.0	1.62	41.2	1.37	0.62	10
4007-2016	JB40OFS45-20-16	1-11/16-12	1	25.4	4.96	126.0	3.11	79.0	1.30	33.0	1.87	47.6	2.09	0.95	10
4007-1620	JB40OFS45-16-20	1-7/16-12	1-1/4	31.8	5.79	147.0	3.94	100.0	1.46	37.0	1.87	47.6	2.23	1.01	10
4007-2020	JB40OFS45-20-20	1-11/16-12	1-1/4	31.8	5.91	150.0	4.06	103.0	1.57	40.0	1.87	47.6	2.44	1.11	10
4007-2420	JB40OFS45-24-20	2-12	1-1/4	31.8	5.94	151.0	4.09	104.0	1.61	41.0	2.25	57.1	2.32	1.05	7
4007-2424	JB40OFS45-24-24	2-12	1-1/2	38.1	6.85	174.0	4.49	114.0	1.77	45.0	2.25	57.1	2.58	1.17	7

*Standard Pack is 1.

We disclaim any liability for use of our products in applications other than which they are designed.

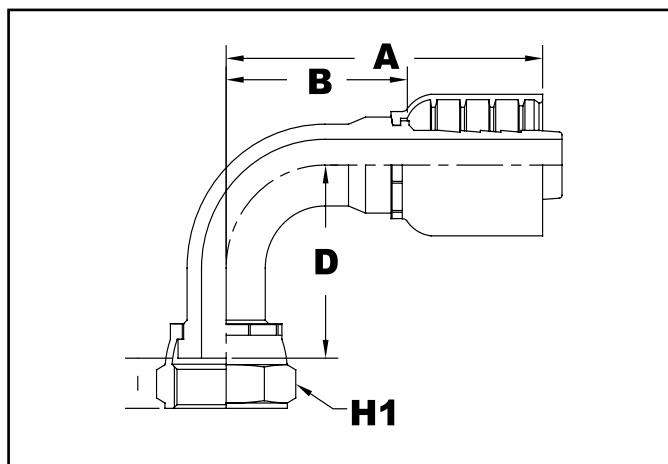
⚠ WARNING: This product can expose you to chemicals including lead, which is known to the State of California to cause cancer, birth defects or other reproductive harm. For more information visit www.P65WARNINGS.ca.gov

JB40OFS90 SERIES

Female O-Ring Face Seal

90° Elbow

4009 SERIES



Catalog Part Number	Descriptive Part Number	Thread	Hose Inside Diameter		"A" Dimension Overall Length		"B" Dimension Cut-Off Length		"D" Dimension Drop		Hex Size		Weight		Bulk Pack
			inch	mm	inch	mm	inch	mm	inch	mm	inch	mm	lbs.	kg	qty
4009-0606	JB40OFS90-06-06	11/16-18	3/8	9.5	2.76	70.0	1.65	42.0	1.02	26.0	0.81	20.6	0.24	0.11	110
4009-0806	JB40OFS90-08-06	13/16-16	3/8	9.5	2.76	70.0	1.65	42.0	1.10	28.0	0.94	23.8	0.31	0.14	100
4009-0608	JB40OFS90-06-08	11/16-16	1/2	12.7	2.80	71.0	1.50	38.0	1.10	28.0	0.81	20.6	0.29	0.13	110
4009-0808	JB40OFS90-08-08	13/16-16	1/2	12.7	2.80	71.0	1.50	38.0	1.18	30.0	0.94	23.8	0.39	0.18	70
4009-1012	JB40OFS90-10-12	1-14	3/4	19.1	4.02	102.0	2.40	61.0	1.97	50.0	1.12	28.5	0.46	0.21	32
4009-1212	JB40OFS90-12-12	1-3/16-12	3/4	19.1	4.02	102.0	2.40	61.0	1.93	49.0	1.37	34.9	1.05	0.48	32
4009-1616	JB40OFS90-16-16	1-7/16-12	1	25.4	5.04	128.0	3.19	81.0	2.24	57.0	1.62	41.2	1.59	0.72	10
4009-2016	JB40OFS90-20-16	1-11/16-12	1	25.4	5.04	128.0	3.19	81.0	2.36	60.0	1.87	47.6	2.58	1.17	10
4009-1620	JB40OFS90-16-20	1-7/16-12	1-1/4	31.8	5.51	140.0	3.66	93.0	2.91	74.0	1.62	41.2	2.54	1.15	10
4009-2020	JB40OFS90-20-20	1-11/16-12	1-1/4	31.8	5.51	140.0	3.66	93.0	3.03	77.0	1.87	47.6	2.69	1.22	10
4009-2420	JB40OFS90-24-20	2-12	1-1/4	31.8	5.51	140.0	3.66	93.0	3.03	77.0	2.25	57.1	3.20	1.45	7
4009-2424	JB40OFS90-24-24	2-12	1-1/2	38.1	5.94	151.0	3.58	91.0	3.15	80.0	2.25	57.1	3.48	1.58	7

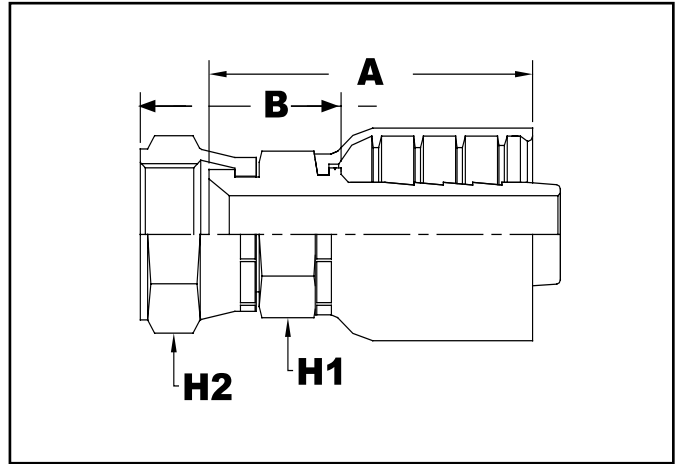
*Standard Pack is 1.

We disclaim any liability for use of our products in applications other than which they are designed.

WARNING: This product can expose you to chemicals including lead, which is known to the State of California to cause cancer, birth defects or other reproductive harm. For more information visit www.P65WARNINGS.ca.gov

4010 SERIES

**JB40FA SERIES
Female Swivel SAE 45° Flare**



HYDRAULIC COUPLINGS - 40/JB40

Catalog Part Number	Descriptive Part Number	Thread	Hose Inside Diameter		"A" Dimension Overall Length		"B" Dimension Cut-Off Length		Hex Sizes				Weight		Bulk Pack
									H1		H2				
			inch	mm	inch	mm	inch	mm	inch	mm	inch	mm	lbs.	kg	
4010-0606	JB40FA-06-06	5/8-18	3/8	9.5	2.01	51.0	0.91	23.0	0.69	17.4	0.69	17.4	0.24	0.11	130
4010-0808	JB40FA-08-08	3/4-16	1/2	12.7	2.17	55.0	0.91	23.0	0.87	22.2	0.87	22.2	0.33	0.15	100
4010-1010	JB40FA-10-10	7/8-16	5/8	15.9	2.52	64.0	0.98	25.0	0.87	22.2	1.00	25.4	0.44	0.20	70
4010-1212	JB40FA-12-12	1-1/16-14	3/4	19.1	2.64	67.0	1.06	27.0	1.06	26.9	1.25	31.7	0.60	0.27	50
4010-1616	JB40FA-16-16	1-5/16-12	1	25.4	3.15	80.0	1.30	33.0	1.50	38.1	1.37	34.9	1.06	0.48	36

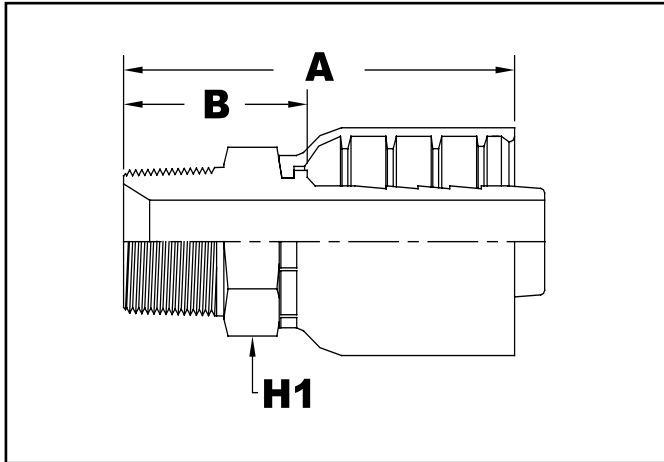
*Standard Pack is 1.

We disclaim any liability for use of our products in applications other than which they are designed.

WARNING: This product can expose you to chemicals including lead, which is known to the State of California to cause cancer, birth defects or other reproductive harm. For more information visit www.P65WARNINGS.ca.gov

JB40MP SERIES
Male Pipe Rigid NPTF

4020 SERIES



Catalog Part Number	Descriptive Part Number	Thread	Hose Inside Diameter		"A" Dimension Overall Length		"B" Dimension Cut-Off Length		Hex Size		Weight		Bulk Pack
			inch	mm	inch	mm	inch	mm	inch	mm	lbs.	kg	
4020-0606	JB40MP-06-06	3/8-18	3/8	9.5	2.20	56.0	1.14	29.0	0.69	17.4	0.21	0.10	130
4020-0806	JB40MP-08-06	1/2-14	3/8	9.5	2.38	60.5	1.28	32.5	0.87	22.2	0.27	0.12	100
4020-0608	JB40MP-06-08	3/8-18	1/2	12.7	2.35	59.8	1.06	26.8	0.87	22.2	0.24	0.11	100
4020-0808	JB40MP-08-08	1/2-14	1/2	12.7	2.52	64.0	1.30	33.0	0.87	22.2	0.32	0.15	100
4020-1208	JB40MP-12-08	3/4-14	1/2	12.7	2.48	63.0	1.26	32.0	1.06	26.9	0.40	0.18	100
4020-1212	JB40MP-12-12	3/4-14	3/4	19.1	2.91	74.0	1.26	35.0	1.06	26.9	0.55	0.25	50
4020-1612	JB40MP-16-12	1-11.5	3/4	19.1	3.11	79.0	1.38	40.0	1.37	34.9	0.68	0.31	50
4020-1616	JB40MP-16-16	1-11.5	1	25.4	3.43	87.0	1.57	41.0	1.37	34.9	0.96	0.44	36
4020-2016	JB40MP-20-16	1-1/4-11.5	1	25.4	3.78	96.0	1.61	49.0	1.69	42.8	1.21	0.55	36
4020-2020	JB40MP-20-20	1-1/4-11.5	1-1/4	31.8	3.78	96.0	1.93	49.0	1.69	42.8	1.35	0.61	15
4020-2424	JB40MP-24-24	1-1/2-11.5	1-1/2	38.1	4.29	109.0	1.93	50.0	2.00	50.8	2.16	0.98	15
4020-3232	JB40MP-32-32	2-11.5	2	50.8	5.08	129.0	2.28	58.0	2.50	63.5	3.79	1.72	8

*Standard Pack is 1.

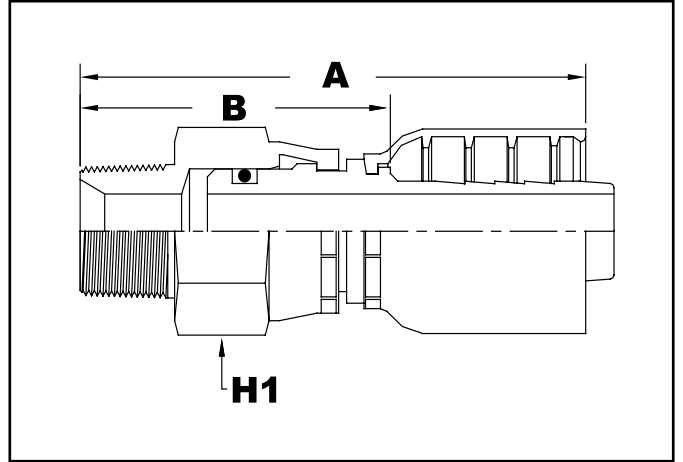
We disclaim any liability for use of our products in applications other than which they are designed.

WARNING: This product can expose you to chemicals including lead, which is known to the State of California to cause cancer, birth defects or other reproductive harm. For more information visit www.P65WARNINGS.ca.gov

HYDRAULIC COUPLINGS - 40/JB40

4023 SERIES

**JB40MS SERIES
Male Pipe Swivel NPTF**



Catalog Part Number	Descriptive Part Number	Thread	Hose Inside Diameter		"A" Dimension Overall Length		"B" Dimension Cut-Off Length		Hex Size		Weight		Bulk Pack
			inch	mm	inch	mm	inch	mm	inch	mm	H1	lbs.	
4023-0606	JB40MS-06-06	3/8-18	3/8	9.5	2.64	67.0	1.73	44.0	0.87	22.2	0.31	0.14	130
4023-0808	JB40MS-08-08	1/2-14	1/2	12.7	3.15	80.0	1.93	49.0	1.00	25.4	0.42	0.19	100
4023-1208	JB40MS-12-08	3/4-14	1/2	12.7	3.62	92.0	2.40	61.0	1.37	34.9	0.86	0.39	100
4023-1212	JB40MS-12-12	3/4-14	3/4	19.1	3.94	100.0	2.40	61.0	1.37	34.9	0.99	0.45	50
4023-1612	JB40MS-16-12	1-11.5	3/4	19.1	4.41	112.0	2.40	73.0	1.50	38.1	1.21	0.55	50
4023-1616	JB40MS-16-16	1-11.5	1	25.4	4.65	118.0	2.87	73.0	1.50	38.1	1.28	0.58	36

Note: Not for use as a live swivel. For installation only.

*Standard Pack is 1.

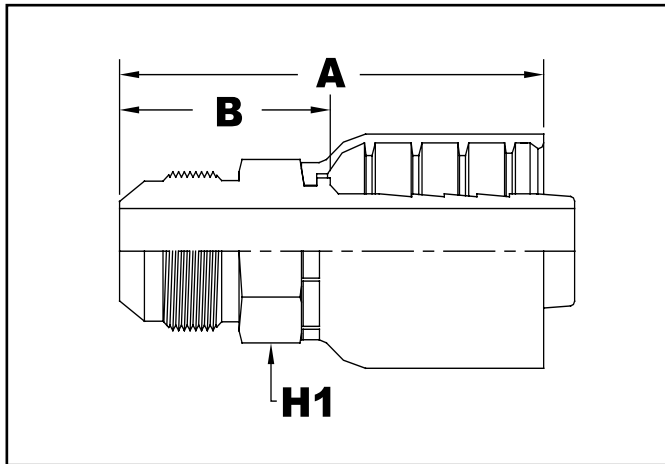
We disclaim any liability for use of our products in applications other than which they are designed.

WARNING: This product can expose you to chemicals including lead, which is known to the State of California to cause cancer, birth defects or other reproductive harm. For more information visit www.P65WARNINGS.ca.gov

HYDRAULIC COUPLINGS - 40/JB40

JB40MJ SERIES
Male JIC 37°

4025 SERIES



Catalog Part Number	Descriptive Part Number	Thread	Hose Inside Diameter		"A" Dimension Overall Length		"B" Dimension Cut-Off Length		Hex Size		Weight		Bulk Pack
			inch	mm	inch	mm	inch	mm	inch	mm	H1	lbs.	kg
4025-0606	JB40MJ-06-06	9/16-18	3/8	9.5	2.13	54.0	1.06	27.0	0.75	19.0	0.23	0.10	130
4025-0806	JB40MJ-08-06	3/4-16	3/8	9.5	2.28	58.0	1.18	30.0	0.87	22.2	0.24	0.11	130
4025-0808	JB40MJ-08-08	3/4-16	1/2	12.7	2.40	61.0	1.18	30.0	0.87	22.2	0.32	0.15	100
4025-1008	JB40MJ-10-08	7/8-14	1/2	12.7	2.48	63.0	1.26	32.0	1.00	25.4	0.32	0.15	80
4025-1208	JB40MJ-12-08	1-1/16-12	1/2	12.7	2.72	69.0	1.50	38.0	1.12	28.5	0.42	0.19	50
4025-1212	JB40MJ-12-12	1-1/16-12	3/4	19.1	3.11	79.0	1.54	39.0	1.12	28.5	0.55	0.25	50
4025-1412	JB40MJ-14-12	1-3/16-12	3/4	19.1	3.11	79.0	1.57	40.0	1.25	31.7	0.60	0.27	50
4025-1616	JB40MJ-16-16	1-5/16-12	1	25.4	3.43	87.0	1.57	40.0	1.37	34.9	0.96	0.44	36
4025-2016	JB40MJ-20-16	1-5/8-12	1	25.4	3.37	85.6	1.73	44.0	1.87	47.6	1.21	0.55	15
4025-2020	JB40MJ-20-20	1-5/8-12	1-1/4	31.8	3.86	98.0	1.89	48.0	2.00	50.8	1.61	0.73	15

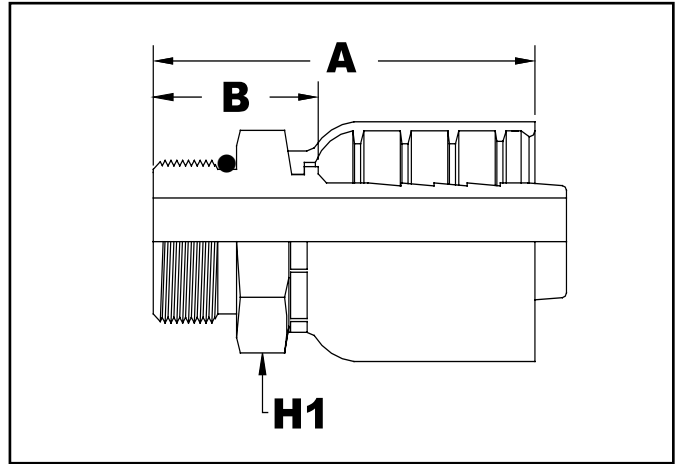
*Standard Pack is 1.

We disclaim any liability for use of our products in applications other than which they are designed.

WARNING: This product can expose you to chemicals including lead, which is known to the State of California to cause cancer, birth defects or other reproductive harm. For more information visit www.P65WARNINGS.ca.gov

4027 SERIES

**JB400B SERIES
Male O-Ring Boss**



HYDRAULIC COUPLINGS - 40/JB40

Catalog Part Number	Descriptive Part Number	Thread	Hose Inside Diameter		"A" Dimension Overall Length		"B" Dimension Cut-Off Length		Hex Size		Weight		Bulk Pack
			inch	mm	inch	mm	inch	mm	inch	mm	lbs.	kg	
4027-0606	JB400B-06-06	9/16-18	3/8	9.5	2.09	53.0	0.91	23.0	0.87	22.2	0.20	0.09	130
4027-0806	JB400B-08-06	3/4-16	3/8	9.5	2.09	53.0	0.98	25.0	0.87	22.2	0.24	0.11	130
4027-0808	JB400B-08-08	3/4-16	1/2	12.7	2.28	58.0	1.06	27.0	1.06	26.9	0.28	0.13	100
4027-1008	JB400B-10-08	7/8-14	1/2	12.7	2.32	59.0	0.91	23.0	1.50	38.1	0.35	0.16	80
4027-1010	JB400B-10-10	7/8-14	5/8	15.9	2.60	66.0	0.91	23.0	0.87	22.2	0.39	0.18	70
4027-1210	JB400B-12-10	1-1/16-12	5/8	15.9	2.76	70.0	0.98	25.0	0.87	22.2	0.51	0.23	36
4027-1212	JB400B-12-12	1-1/16-12	3/4	19.1	2.80	71.0	1.06	27.0	1.06	26.9	0.53	0.24	36
4027-1412	JB400B-14-12	1-3/16-12	3/4	19.1	2.91	74.0	1.30	33.0	1.50	38.1	0.55	0.25	36
4027-1616	JB400B-16-16	1-5/16-12	1	25.4	3.15	80.0	1.30	33.0	1.50	38.1	0.93	0.42	36

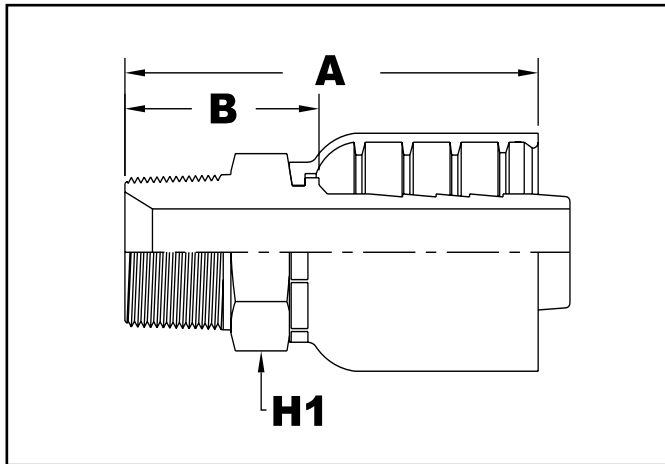
*Standard Pack is 1.

We disclaim any liability for use of our products in applications other than which they are designed.

WARNING: This product can expose you to chemicals including carbon black, which is known to the State of California to cause cancer, birth defects or other reproductive harm. For more information visit www.P65WARNINGS.ca.gov

JB40JISMP SERIES
Male JIS/BSP Taper Rigid Pipe

4030 SERIES



Catalog Part Number	Descriptive Part Number	Thread	Hose Inside Diameter		"A" Dimension Overall Length		"B" Dimension Cut-Off Length		Hex Size		Weight		Bulk Pack
			inch	mm	inch	mm	inch	mm	inch	mm	lbs.	kg	
4030-0606	JB40JISMP-06-06	3/8-19	3/8	9.5	2.17	55.0	1.06	27.0	0.87	22.0	0.24	0.11	130
4030-0806	JB40JISMP-08-06	1/2-14	3/8	9.5	2.32	59.0	1.22	31.0	1.06	27.0	0.29	0.13	100
4030-0608	JB40JISMP-06-08	3/8-19	1/2	12.7	2.36	60.0	1.10	28.0	1.06	27.0	0.31	0.14	100
4030-0808	JB40JISMP-08-08	1/2-14	1/2	12.7	2.48	63.0	1.22	31.0	1.06	27.0	0.33	0.15	80
4030-1208	JB40JISMP-12-08	3/4-14	1/2	12.7	2.56	65.0	1.30	33.0	1.26	32.0	0.60	0.27	100
4030-0812	JB40JISMP-08-12	1/2-14	3/4	19.1	2.76	70.0	1.22	31.0	1.26	32.0	0.55	0.25	80
4030-1212	JB40JISMP-12-12	3/4-14	3/4	19.1	2.99	76.0	1.42	36.0	1.26	32.0	0.73	0.33	50
4030-1612	JB40JISMP-16-12	1-11	3/4	19.1	3.07	78.0	1.54	39.0	1.42	36.0	0.90	0.41	50
4030-1216	JB40JISMP-12-16	3/4-14	1	25.4	3.74	95.0	1.50	38.0	1.42	36.0	0.88	0.40	50
4030-1616	JB40JISMP-16-16	1-11	1	25.4	3.35	85.0	1.57	40.0	1.42	36.0	0.95	0.43	36
4030-1620	JB40JISMP-16-20	1-11	1-1/4	31.8	3.46	88.0	1.61	41.0	1.81	46.0	1.63	0.74	36
4030-2020	JB40JISMP-20-20	1-1/4-11	1-1/4	31.8	3.70	94.0	1.85	47.0	1.81	46.0	1.79	0.81	15
4030-2424	JB40JISMP-24-24	1-1/2-11	1-1/2	38.1	3.98	101.0	2.09	53.0	2.36	60.0	2.23	1.01	15

*Standard Pack is 1.

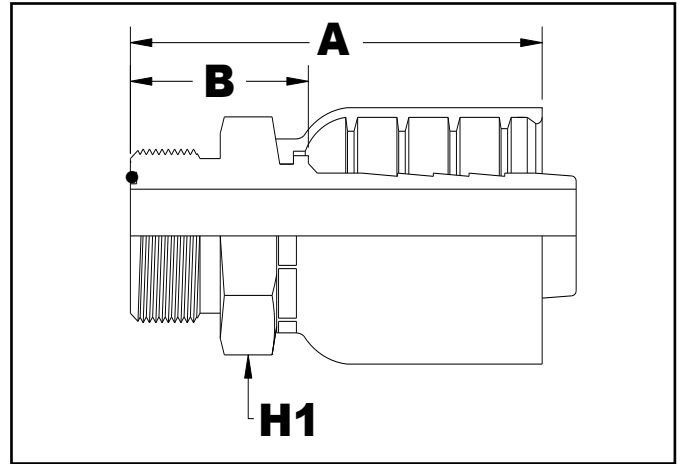
We disclaim any liability for use of our products in applications other than which they are designed.

WARNING: This product can expose you to chemicals including lead, which is known to the State of California to cause cancer, birth defects or other reproductive harm. For more information visit www.P65WARNINGS.ca.gov

4032 SERIES



**JB40MOFS SERIES
SAE MALE O-RING FACE SEAL**



Catalog Part Number	Descriptive Part Number	Thread	Flange Size		Hose Inside Diameter		"A" Dimension Overall Length		"B" Dimension Cut-Off Length		Hex Size		Weight		Bulk Pack
			inch	mm	inch	mm	inch	mm	inch	mm	inch	mm	lbs.	kg	
4032-1212	JB40MOFS-12-12	1-3/16-12	3/4	19.1	3/4	19.1	2.83	71.8	1.26	32.0	1.26	32	0.62	0.28	50
4032-1612	JB40MOFS-16-12	1-7/16-12	3/4	19.1	3/4	19.1	2.93	74.3	1.36	34.5	1.50	38	0.75	0.34	42
4032-1616	JB40MOFS-16-16	1-7/16-12	1	25.4	1	25.4	3.29	83.5	1.46	37.0	1.50	38	1.08	0.49	36

*Standard Pack is 1.

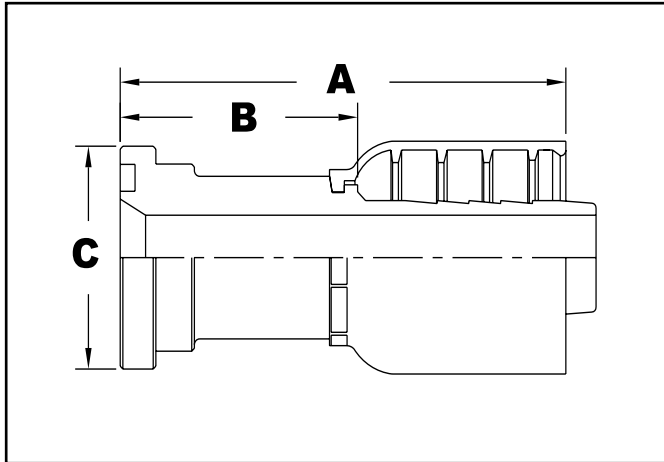
We disclaim any liability for use of our products in applications other than which they are designed.

WARNING: This product can expose you to chemicals including lead, which is known to the State of California to cause cancer, birth defects or other reproductive harm. For more information visit www.P65WARNINGS.ca.gov

HYDRAULIC COUPLINGS - 40/JB40

JB40C61S SERIES
SAE Code 61 Flange - Straight

4034 SERIES



Catalog Part Number	Descriptive Part Number	Flange Size		Hose Inside Diameter		"A" Dimension Overall Length		"B" Dimension Cut-Off Length		Flange Diameter -C-		Weight		Bulk Pack
		inch	mm	inch	mm	inch	mm	inch	mm	inch	mm	lbs.	kg	qty
4034-1212	JB40C61S-12-12	3/4	19.1	3/4	19.1	3.35	85.0	1.77	45.0	1.50	38.1	0.68	0.31	50
4034-1612	JB40C61S-16-12	1	25.4	3/4	19.1	3.19	81.0	1.61	41.0	1.75	44.4	0.90	0.41	50
4034-1616	JB40C61S-16-16	1	25.4	1	25.4	4.06	103.0	2.20	56.0	1.75	44.4	1.18	0.54	36
4034-2016	JB40C61S-20-16	1-1/4	31.8	1	25.4	3.98	101.0	2.13	54.0	2.00	50.8	1.71	0.76	36
4034-2020	JB40C61S-20-20	1-1/4	31.8	1-1/4	31.8	4.33	110.0	2.48	63.0	2.00	50.8	1.92	0.87	15
4034-2420	JB40C61S-24-20	1-1/2	38.1	1-1/4	31.8	4.57	116.0	2.72	69.0	2.37	60.3	2.11	0.96	15
4034-2424	JB40C61S-24-24	1-1/2	38.1	1-1/2	38.1	5.16	131.0	2.83	72.0	2.37	60.3	2.45	1.11	15
4034-3224	JB40C61S-32-24	2	50.8	1-1/2	38.1	5.43	138.0	3.11	79.0	2.81	71.4	3.59	1.63	12
4034-3232	JB40C61S-32-32	2	50.8	2	50.8	5.91	150.0	3.11	79.0	2.81	71.4	4.19	1.90	8

*Standard Pack is 1.

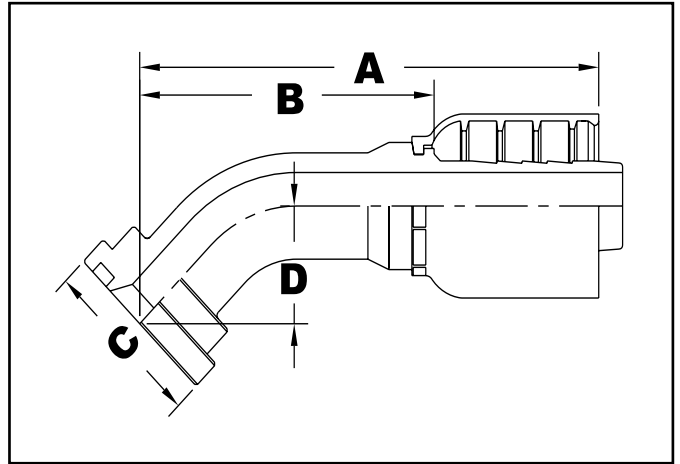
We disclaim any liability for use of our products in applications other than which they are designed.

WARNING: This product can expose you to chemicals including lead, which is known to the State of California to cause cancer, birth defects or other reproductive harm. For more information visit www.P65WARNINGS.ca.gov

HYDRAULIC COUPLINGS - 40/JB40

4036 SERIES

JB40C6145 SERIES
SAE Code 61 Flange - 45° Elbow



HYDRAULIC COUPLINGS - 40/JB40

Catalog Part Number	Descriptive Part Number	Flange Size		Hose Inside Diameter		"A" Dimension Overall Length		"B" Dimension Cut-Off Length		"D" Dimension Drop		Flange Diameter -C-		Weight		Bulk Pack
		inch	mm	inch	mm	inch	mm	inch	mm	inch	mm	inch	mm	lbs.	kg	qty
4036-0808	JB40C6145-08-08	1/2	12.7	1/2	12.7	3.19	81.0	1.89	48.0	0.75	19.0	1.19	30.1	0.36	0.16	80
4036-1208	JB40C6145-12-08	3/4	19.1	1/2	12.7	3.31	84.0	2.01	51.0	0.87	22.0	1.50	38.1	0.52	0.24	80
4036-1212	JB40C6145-12-12	3/4	19.1	3/4	19.1	4.61	117.0	2.99	76.0	1.14	29.0	1.50	38.1	0.79	0.36	32
4036-1612	JB40C6145-16-12	1	25.4	3/4	19.1	4.61	117.0	2.99	76.0	1.14	29.0	1.75	44.4	0.82	0.37	32
4036-1616	JB40C6145-16-16	1	25.4	1	25.4	4.49	114.0	3.03	77.0	1.22	31.0	1.75	44.4	1.16	0.53	18
4036-2016	JB40C6145-20-16	1-1/4	31.8	1	25.4	4.49	114.0	3.03	77.0	1.22	31.0	2.00	50.8	1.33	0.60	18
4036-2020	JB40C6145-20-20	1-1/4	31.8	1-1/4	31.8	5.83	148.0	3.98	101.0	1.50	38.0	2.00	50.8	2.01	0.91	12
4036-2420	JB40C6145-24-20	1-1/2	38.1	1-1/4	31.8	5.91	150.0	4.06	103.0	1.57	40.0	2.37	60.3	2.15	0.98	12
4036-2424	JB40C6145-24-24	1-1/2	38.1	1-1/2	38.1	6.81	173.0	4.45	113.0	1.73	44.0	2.37	60.3	2.45	1.11	12
4036-3224	JB40C6145-32-24	2	50.8	1-1/2	38.1	6.81	173.0	4.45	113.0	1.73	44.0	2.81	71.4	2.49	1.13	10
4036-3232	JB40C6145-32-32	2	50.8	2	50.8	8.23	209.0	5.43	138.0	2.36	60.0	2.81	71.4	5.43	2.46	6

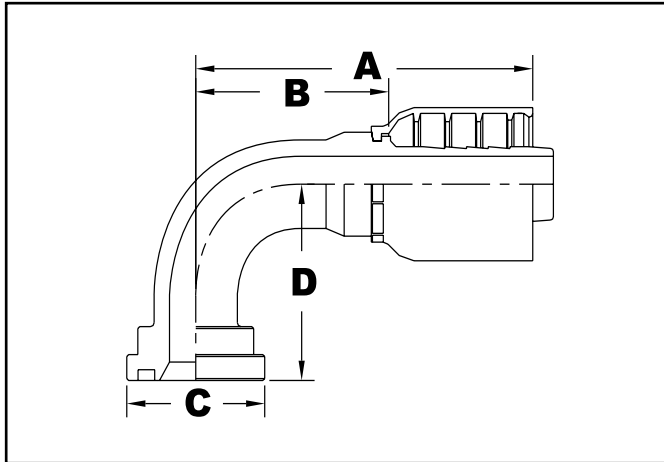
*Standard Pack is 1.

We disclaim any liability for use of our products in applications other than which they are designed.

⚠ WARNING: This product can expose you to chemicals including lead, which is known to the State of California to cause cancer, birth defects or other reproductive harm. For more information visit www.P65WARNINGS.ca.gov

JB40C6190 SERIES
SAE Code 61 Flange - 90° Elbow

4039 SERIES



Catalog Part Number	Descriptive Part Number	Flange Size		Hose Inside Diameter		"A" Dimension Overall Length		"B" Dimension Cut-Off Length		"D" Dimension Drop		Flange Diameter -C-		Weight		Bulk Pack
		inch	mm	inch	mm	inch	mm	inch	mm	inch	mm	inch	mm	lbs.	kg	qty
4039-0808	JB40C6190-08-08	1/2	12.7	1/2	12.7	2.80	71.0	1.50	38.0	1.34	34.0	0.81	20.6	0.36	0.17	70
4039-1208	JB40C6190-12-08	3/4	19.1	1/2	12.7	2.80	71.0	1.50	38.0	1.38	35.0	1.50	38.1	0.81	0.37	70
4039-1608	JB40C6190-16-08	1	25.4	1/2	12.7	2.80	71.0	1.50	38.0	1.38	35.0	1.75	44.4	0.82	0.37	70
4039-1210	JB40C6190-12-10	3/4	19.1	5/8	15.9	2.83	72.0	1.65	42.0	1.65	42.0	1.50	38.1	0.85	0.39	32
4039-1212	JB40C6190-12-12	3/4	19.1	3/4	19.1	4.02	102.0	2.40	61.0	2.13	54.0	1.50	38.1	0.93	0.42	32
4039-1612	JB40C6190-16-12	1	25.4	3/4	19.1	4.02	102.0	2.40	61.0	2.13	54.0	1.75	44.4	0.90	0.41	32
4039-1616	JB40C6190-16-16	1	25.4	1	25.4	5.04	128.0	3.19	81.0	2.44	62.0	1.75	44.4	1.44	0.66	15
4039-2016	JB40C6190-20-16	1-1/4	31.8	1	25.4	5.04	128.0	3.19	81.0	2.44	62.0	2.00	50.8	1.48	0.67	15
4039-2020	JB40C6190-20-20	1-1/4	31.8	1-1/4	31.8	5.51	140.0	3.66	93.0	3.11	79.0	2.00	50.8	2.23	1.01	15
4039-2424	JB40C6190-24-24	1-1/2	38.1	1-1/2	38.1	5.94	151.0	3.58	91.0	3.27	83.0	2.37	60.3	2.62	1.19	10
4039-3224	JB40C6190-32-24	2	50.8	1-1/2	38.1	5.94	151.0	3.58	91.0	3.27	83.0	2.81	71.4	3.16	1.43	7
4039-3232	JB40C6190-32-32	2	50.8	2	50.8	8.11	206.0	5.31	135.0	5.16	131.0	2.81	71.4	6.33	2.87	6

*Standard Pack is 1.

We disclaim any liability for use of our products in applications other than which they are designed.

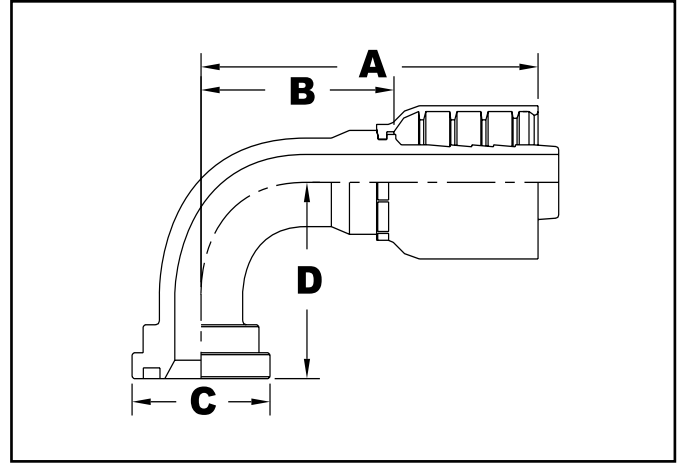
⚠ WARNING: This product can expose you to chemicals including lead, which is known to the State of California to cause cancer, birth defects or other reproductive harm. For more information visit www.P65WARNINGS.ca.gov

HYDRAULIC COUPLINGS - 40/JB40

4039L SERIES



**JB40C6190L SERIES
SAE Code 61 Flange
90° Elbow - Long Drop**



HYDRAULIC COUPLINGS - 40/JB40

Catalog Part Number	Descriptive Part Number	Flange Size		Hose Inside Diameter		"A" Dimension Overall Length		"B" Dimension Cut-Off Length			"D" Dimension Drop		Flange Diameter -C-		Weight		Bulk Pack
		inch	mm	inch	mm	inch	mm	inch	mm	inch	mm	inch	mm	lbs.	kg	qty	
4039L-1212	JB40C6190L-12-12	3/4	19.1	3/4	19.1	4.02	102.0	2.40	61.0	61.0	5.1	130.0	1.50	38.1	1.13	0.51	20
4039L-1612	JB40C6190L-16-12	1	25.4	3/4	19.1	4.02	102.0	2.40	61.0	61.0	6.1	155.0	1.75	44.4	1.28	0.58	10
4039L-1616	JB40C6190L-16-16	1	25.4	1	25.4	5.04	128.0	3.19	81.0	81.0	6.1	155.0	1.75	44.4	1.61	0.73	10
4039L-2016	JB40C6190L-20-16	1-1/4	31.8	1	25.4	4.82	122.5	3.19	81.0	81.0	4.7	120.0	2.00	50.8	1.70	0.77	10
4039L-2020	JB40C6190L-20-20	1-1/4	31.8	1-1/4	31.8	5.51	140.0	3.66	93.0	93.0	6.6	168.0	2.00	50.8	2.54	1.15	7

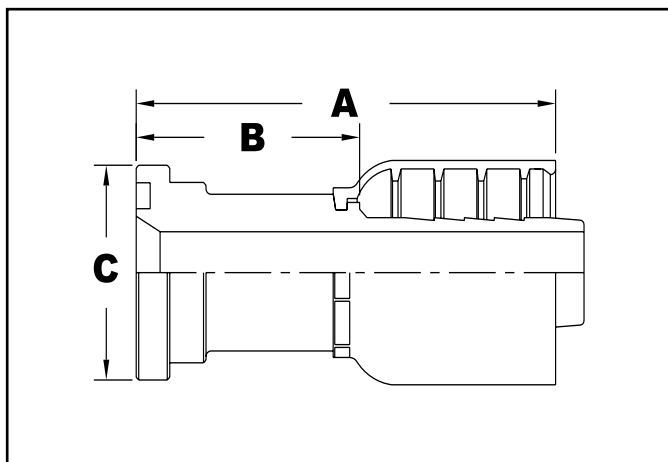
*Standard Pack is 1.

We disclaim any liability for use of our products in applications other than which they are designed.

WARNING: This product can expose you to chemicals including lead, which is known to the State of California to cause cancer, birth defects or other reproductive harm. For more information visit www.P65WARNINGS.ca.gov

JB40C62S SERIES
SAE Code 62 Flange - Straight

4041 SERIES



Catalog Part Number	Descriptive Part Number	Flange Size		Hose Inside Diameter		"A" Dimension Overall Length		"B" Dimension Cut-Off Length		Flange Diameter -C-		Weight		Bulk Pack
		inch	mm	inch	mm	inch	mm	inch	mm	inch	mm	lbs.	kg	qty
4041-1212	JB40C62S-12-12	3/4	19.1	3/4	19.1	3.50	89.0	1.93	49.0	1.62	41.2	0.68	0.31	32
4041-1612	JB40C62S-16-12	1	25.4	3/4	19.1	3.94	100.0	2.36	60.0	1.87	47.6	1.05	0.47	32
4041-1616	JB40C62S-16-16	1	25.4	1	25.4	4.29	109.0	2.44	62.0	1.87	47.6	1.40	0.64	15
4041-2016	JB40C62S-20-16	1-1/4	31.8	1	25.4	4.37	111.0	2.91	74.0	2.12	53.9	1.73	0.79	10
4041-2020	JB40C62S-20-20	1-1/4	31.8	1-1/4	31.8	4.41	112.0	2.95	75.0	2.12	53.9	2.16	0.98	15
4041-2420	JB40C62S-24-20	1-1/2	38.1	1-1/4	31.8	4.41	112.0	2.95	75.0	2.50	63.5	2.62	1.19	15
4041-2424	JB40C62S-24-24	1-1/2	38.1	1-1/2	38.1	5.51	140.0	3.19	81.0	2.50	63.5	2.87	1.30	10
4041-3224	JB40C62S-32-24	2	50.8	1-1/2	38.1	6.30	160.0	3.98	101.0	3.12	79.3	5.84	2.65	7
4041-3232	JB40C62S-32-32	2	50.8	2	50.8	6.77	172.0	3.98	101.0	3.12	79.3	5.32	2.41	6

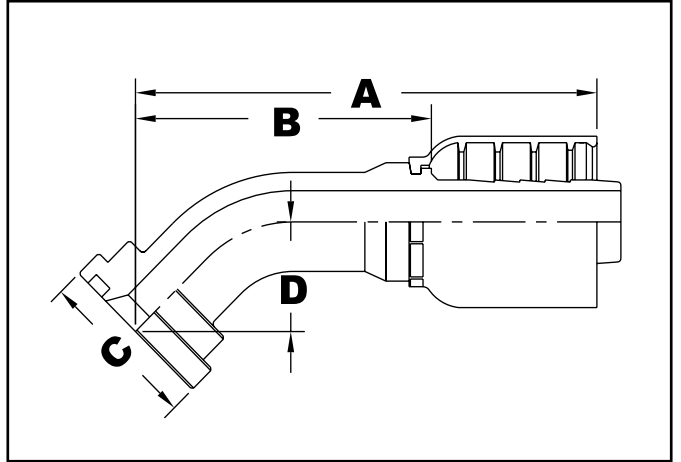
*Standard Pack is 1.

We disclaim any liability for use of our products in applications other than which they are designed.

WARNING: This product can expose you to chemicals including lead, which is known to the State of California to cause cancer, birth defects or other reproductive harm. For more information visit www.P65WARNINGS.ca.gov

4043 SERIES

**JB40C6245 SERIES
SAE Code 62 Flange - 45° Elbow**



Catalog Part Number	Descriptive Part Number	Flange Size		Hose Inside Diameter		"A" Dimension Overall Length		"B" Dimension Cut-Off Length		"D" Dimension Drop		Flange Diameter -C-		Weight		Bulk Pack
		inch	mm	inch	mm	inch	mm	inch	mm	inch	mm	inch	mm	lbs.	kg	qty
4043-1212	JB40C6245-12-12	3/4	19.1	3/4	19.1	4.72	120.0	3.11	79.0	1.26	32.0	1.62	41.2	0.88	0.40	32
4043-1616	JB40C6245-16-16	1	25.4	1	25.4	4.69	119.0	3.23	82.0	1.42	36.0	1.87	47.6	1.42	0.65	18
4043-2020	JB40C6245-20-20	1-1/4	31.8	1-1/4	31.8	6.14	156.0	4.29	109.0	1.81	46.0	2.12	53.9	2.29	1.04	12
4043-2424	JB40C6245-24-24	1-1/2	38.1	1-1/2	38.1	7.05	179.0	4.69	119.0	1.97	50.0	2.50	63.5	2.95	1.34	12
4043-3232	JB40C6245-32-32	2	50.8	2	50.8	8.82	224.0	6.02	153.0	2.95	75.0	3.12	79.3	6.54	2.97	6

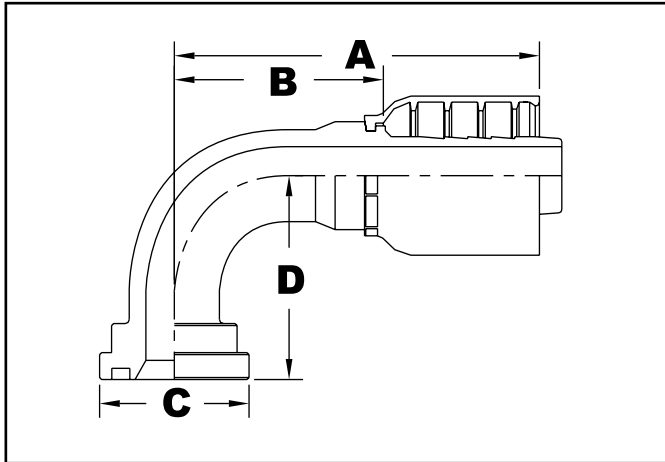
*Standard Pack is 1.

We disclaim any liability for use of our products in applications other than which they are designed.

WARNING: This product can expose you to chemicals including lead, which is known to the State of California to cause cancer, birth defects or other reproductive harm. For more information visit www.P65WARNINGS.ca.gov

JB40C6290 SERIES
SAE Code 62 Flange - 90° Elbow

4045 SERIES



Catalog Part Number	Descriptive Part Number	Flange Size		Hose Inside Diameter		"A" Dimension Overall Length		"B" Dimension Cut-Off Length		"D" Dimension Drop		Flange Diameter -C-		Weight		Bulk Pack
		inch	mm	inch	mm	inch	mm	inch	mm	inch	mm	inch	mm	lbs.	kg	qty
4045-1212	JB40C6290-12-12	3/4	19.1	3/4	19.1	3.98	101.0	3.11	79.0	2.28	58.0	1.62	41.2	0.90	0.41	32
4045-1616	JB40C6290-16-16	1	25.4	1	25.4	4.96	126.0	3.23	82.0	2.72	69.0	1.87	47.6	1.44	0.66	15
4045-2020	JB40C6290-20-20	1-1/4	31.8	1-1/4	31.8	5.51	140.0	4.29	109.0	3.54	90.0	2.12	53.9	2.49	1.13	15
4045-2424	JB40C6290-24-24	1-1/2	38.1	1-1/2	38.1	5.94	151.0	4.69	119.0	3.62	92.0	2.50	63.5	3.25	1.48	10
4045-3232	JB40C6290-32-32	2	50.8	2	50.8	8.11	206.0	6.02	153.0	6.02	153.0	3.12	79.3	7.52	3.41	6

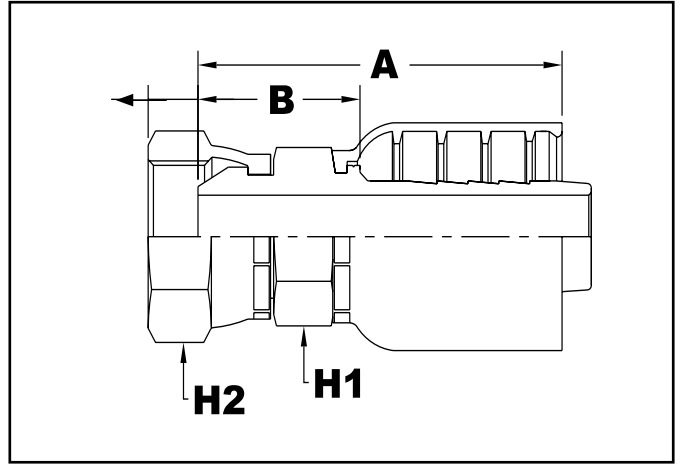
*Standard Pack is 1.

We disclaim any liability for use of our products in applications other than which they are designed.

⚠ WARNING: This product can expose you to chemicals including lead, which is known to the State of California to cause cancer, birth defects or other reproductive harm. For more information visit www.P65WARNINGS.ca.gov

4048 SERIES

**JB40FSPPBSP SERIES
Female Swivel BSP
Parallel Pipe - 30° Cone**



HYDRAULIC COUPLINGS - 40/JB40

Catalog Part Number	Descriptive Part Number	Thread	Hose Inside Diameter		"A" Dimension Overall Length		"B" Dimension Cut-Off Length		Hex Sizes				Weight		Bulk Pack
			inch	mm	inch	mm	inch	mm	H1		H2		lbs.	kg	qty
									inch	mm	inch	mm			
4048-0606	JB40FSPPBSP-06-06	3/8-19	3/8	9.5	2.20	56.0	1.10	28.0	0.75	19.0	0.87	22.0	0.28	0.13	130
4048-0808	JB40FSPPBSP-08-06	1/2-14	1/2	12.7	2.40	61.0	1.14	29.0	0.87	22.0	1.06	27.0	0.39	0.18	80
4048-1010	JB40FSPPBSP-10-10	5/8-14	5/8	15.9	2.68	68.0	1.14	29.0	1.06	27.0	1.06	27.0	0.50	0.23	70
4048-1212	JB40FSPPBSP-12-12	3/4-14	3/4	19.1	2.83	72.0	1.26	32.0	1.06	27.0	1.26	32.0	0.65	0.30	50
4048-1616	JB40FSPPBSP-16-16	1-11	1	25.4	3.27	83.0	1.42	36.0	1.42	36.0	1.61	41.0	1.13	0.51	36
4048-2020	JB40FSPPBSP-20-20	1-1/4-11	1-1/4	31.8	3.66	93.0	1.81	46.0	1.81	46.0	1.97	50.0	1.68	0.76	15
4048-2424	JB40FSPPBSP-24-24	1-1/2-11	1-1/2	38.1	4.09	104.0	1.77	45.0	2.17	55.0	2.17	55.0	2.47	1.12	15
4048-3232	JB40FSPPBSP-32-32	2-11	2	50.8	5.12	130.0	2.32	59.0	2.50	63.5	2.76	70.0	4.70	2.13	8

Please note that 4048 Series will replace 4052 Series

*Standard Pack is 1.

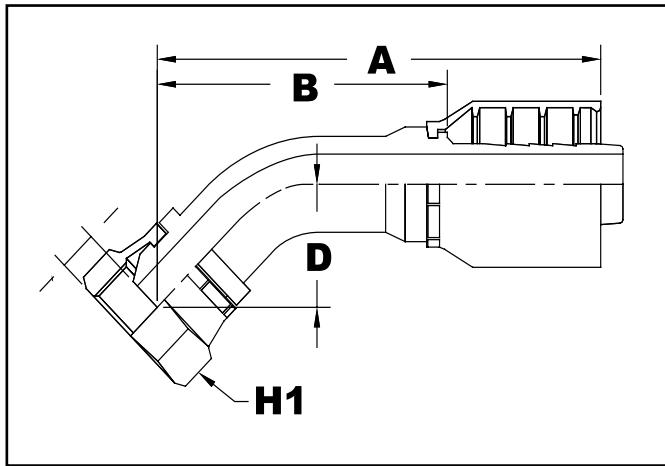
We disclaim any liability for use of our products in applications other than which they are designed.

WARNING: This product can expose you to chemicals including lead, which is known to the State of California to cause cancer, birth defects or other reproductive harm. For more information visit www.P65WARNINGS.ca.gov

4049 Series will replace 4054 Series

JB40FSPPBSP45 SERIES
Female Swivel BSP
Parallel Pipe - 45° Elbow - Metric

4049 SERIES



Catalog Part Number	Descriptive Part Number	Thread	Hose Inside Diameter		"A" Dimension Overall Length		"B" Dimension Cut-Off Length		"D" Dimension Drop		Hex Size		Weight		Bulk Pack
			inch	mm	inch	mm	inch	mm	inch	mm	inch	mm	lbs.	kg	
4049-0606	JB40FSPPBSP45-06-06	3/8-19	3/8	9.5	2.83	72.0	1.73	44.0	0.75	19.0	0.87	22.0	0.26	0.12	130
4049-0808	JB40FSPPBSP45-08-08	1/2-14	1/2	12.7	3.35	85.0	2.05	52.0	0.91	23.0	1.06	27.0	0.37	0.17	80
4049-1010	JB40FSPPBSP45-10-10	5/8-14	5/8	15.9	3.66	93.0	2.09	53.0	0.83	21.0	1.06	27.0	0.55	0.25	70
4049-1212	JB40FSPPBSP45-12-12	3/4-14	3/4	19.1	4.65	118.0	3.03	77.0	1.18	30.0	1.26	32.0	0.93	0.42	32
4049-1616	JB40FSPPBSP45-16-16	1-11	1	25.4	5.00	127.0	3.15	80.0	1.73	44.0	1.61	41.0	1.51	0.68	18
4049-2020	JB40FSPPBSP45-20-20	1-1/4-11	1-1/4	31.8	6.02	153.0	4.17	106.0	1.65	42.0	1.97	50.0	1.92	0.87	12
4049-2424	JB40FSPPBSP45-24-24	1-1/2-11	1-1/2	38.1	6.93	176.0	4.57	116.0	1.89	48.0	2.17	55.0	3.48	1.58	12
4049-3232	JB40FSPPBSP45-32-32	2-11	2	50.8	8.46	215.0	5.67	144.0	2.60	66.0	2.76	70.0	6.68	3.03	6

Please note that 4049 Series will replace 4054 Series

*Standard Pack is 1.

We disclaim any liability for use of our products in applications other than which they are designed.

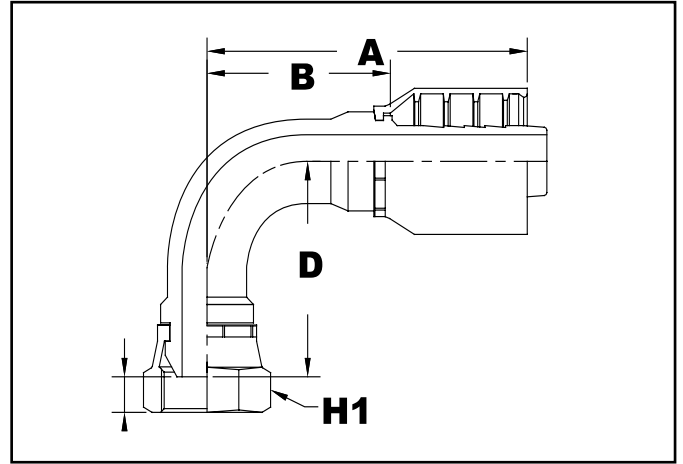
WARNING: This product can expose you to chemicals including lead, which is known to the State of California to cause cancer, birth defects or other reproductive harm. For more information visit www.P65WARNINGS.ca.gov

HYDRAULIC COUPLINGS - 40/JB40

4050 SERIES

4050 Series will replace 4056 Series

**JB40FSPPBSP90 SERIES
Female Swivel BSP Parallel Pipe
30° Cone - 90° Elbow - Metric**



HYDRAULIC COUPLINGS - 40/JB40

Catalog Part Number	Descriptive Part Number	Thread	Hose Inside Diameter		"A" Dimension Overall Length		"B" Dimension Cut-Off Length		"D" Dimension Drop		Hex Size		Weight		Bulk Pack
			inch	mm	inch	mm	inch	mm	inch	mm	inch	mm	lbs.	kg	qty
4050-0606	JB40FSPPBSP90-06-06	3/8-19	3/8	9.5	2.76	70.0	1.65	42.0	1.26	32.0	0.87	22.0	0.29	0.13	100
4050-0808	JB40FSPPBSP90-08-08	1/2-14	1/2	12.7	2.80	71.0	1.50	38.0	1.38	35.0	1.06	27.0	0.41	0.19	70
4050-1212	JB40FSPPBSP90-12-12	3/4-14	3/4	19.1	4.02	102.0	2.40	61.0	2.13	54.0	1.26	32.0	0.94	0.43	32
4050-1616	JB40FSPPBSP90-16-16	1-11	1	25.4	5.04	128.0	3.19	81.0	2.56	65.0	1.61	41.0	1.73	0.78	15
4050-2020	JB40FSPPBSP90-20-20	1-1/4-11	1-1/4	31.8	5.51	140.0	3.66	93.0	3.39	86.0	1.97	50.0	2.76	1.25	15

Please note that 4050 Series will replace 4056 Series

*Standard Pack is 1.

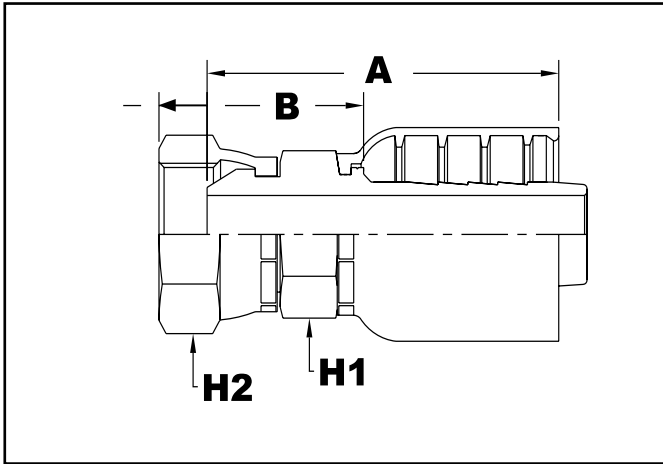
We disclaim any liability for use of our products in applications other than which they are designed.

WARNING: This product can expose you to chemicals including lead, which is known to the State of California to cause cancer, birth defects or other reproductive harm. For more information visit www.P65WARNINGS.ca.gov

4052 Series will be replaced by 4048 Series

JB40FSPJIS SERIES
Female Swivel JIS
Parallel Pipe - 30° Cone - Metric

4052 SERIES



Catalog Part Number	Descriptive Part Number	Thread	Hose Inside Diameter		"A" Dimension Overall Length		"B" Dimension Cut-Off Length		Hex Sizes				Weight		Bulk Pack
			inch	mm	inch	mm	inch	mm	H1		H2		lbs.	kg	qty
4052-0606	JB40FSPJIS-06-06	3/8-19	3/8	9.5	2.09	53.0	0.98	25.0	0.87	22.0	0.87	22.0	0.28	0.13	130
4052-0806	JB40FSPJIS-08-06	1/2-14	3/8	9.5	2.09	53.0	0.98	25.0	1.06	27.0	1.06	27.0	0.33	0.15	100
4052-0808	JB40FSPJIS-08-08	1/2-14	1/2	12.7	2.28	58.0	1.02	26.0	1.06	27.0	1.06	27.0	0.40	0.18	80
4052-1212	JB40FSPJIS-12-12	3/4-14	3/4	19.1	2.80	71.0	1.22	31.0	1.26	32.0	1.42	36.0	0.74	0.33	50
4052-1616	JB40FSPJIS-16-16	1-11	1	25.4	3.23	82.0	1.38	35.0	1.42	36.0	1.61	41.0	1.13	0.51	36
4052-2020	JB40FSPJIS-20-20	1-1/4-11	1-1/4	31.8	3.50	89.0	1.65	42.0	1.81	46.0	1.97	50.0	1.68	0.76	15
4052-2424	JB40FSPJIS-24-24	1-1/2-11	1-1/2	38.1	4.09	104.0	1.77	45.0	2.17	55.0	2.17	55.0	2.47	1.12	15
4052-3232	JB40FSPJIS-32-32	2-11	2	50.2	5.12	130.0	2.32	59.0	2.36	60.0	2.87	73.0	4.81	2.18	8

Please note that 4052 Series will be replaced by 4048 Series

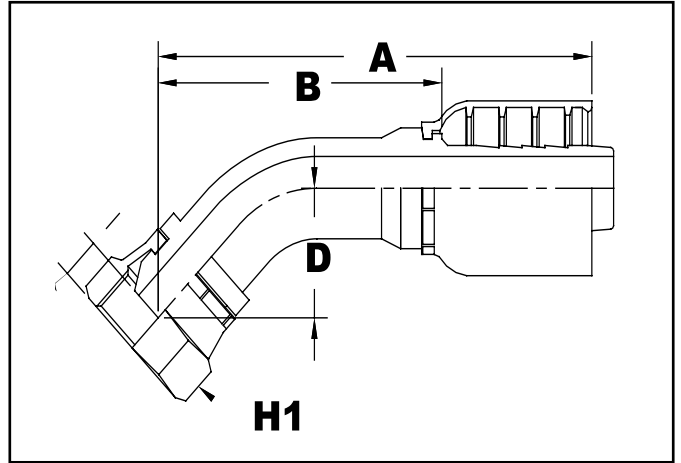
*Standard Pack is 1.

We disclaim any liability for use of our products in applications other than which they are designed.

! WARNING: This product can expose you to chemicals including lead, which is known to the State of California to cause cancer, birth defects or other reproductive harm. For more information visit www.P65WARNINGS.ca.gov

4054 SERIES

JB40FSPPJIS45 SERIES
Female Swivel JIS Parallel Pipe
30° Cone - 45° Elbow - Metric



HYDRAULIC COUPLINGS - 40/JB40

Catalog Part Number	Descriptive Part Number	Thread	Hose Inside Diameter		"A" Dimension Overall Length		"B" Dimension Cut-Off Length		"D" Dimension Drop		Hex Size		Weight		Bulk Pack
			inch	mm	inch	mm	inch	mm	inch	mm	inch	mm	lbs.	kg	qty
4054-0606	JB40FSPPJIS45-06-06	3/8-19	3/8	9.5	2.83	72.0	1.73	44.0	0.71	18.0	0.87	22	0.26	0.12	130
4054-0808	JB40FSPPJIS45-08-08	1/2-14	1/2	12.7	3.31	84.0	2.01	51.0	0.79	20.0	1.06	27	0.40	0.18	80
4054-1212	JB40FSPPJIS45-12-12	3/4-14	3/4	19.1	4.72	120.0	3.11	79.0	1.18	30.0	1.42	36	0.93	0.42	32
4054-1616	JB40FSPPJIS45-16-16	1-11	1	25.4	4.96	126.0	3.11	79.0	1.30	33.0	1.61	41	1.41	0.64	18
4054-2020	JB40FSPPJIS45-20-20	1-1/4-11	1-1/4	31.8	6.02	153.0	4.17	106.0	1.65	42.0	1.97	50	1.92	0.87	12
4054-2424	JB40FSPPJIS45-24-24	1-1/2-11	1-1/2	38.1	6.93	176.0	4.57	116.0	1.89	48.0	2.17	55	3.48	1.58	12
4054-3232	JB40FSPPJIS45-32-32	2-11	2	50.2	8.46	215.0	5.67	144.0	2.60	66.0	2.87	73	6.68	3.03	6

Please note that 4054 Series will be replaced by 4049 Series

*Standard Pack is 1.

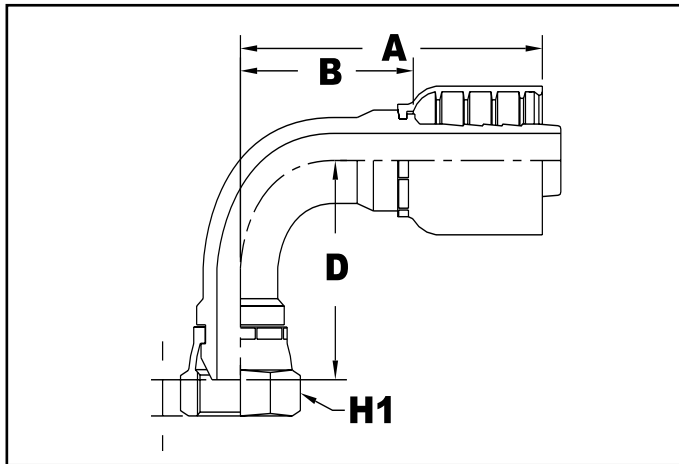
We disclaim any liability for use of our products in applications other than which they are designed.

! WARNING: This product can expose you to chemicals including lead, which is known to the State of California to cause cancer, birth defects or other reproductive harm. For more information visit www.P65WARNINGS.ca.gov

4056 Series will be replaced by 4050 Series

JB40FSPPJIS90 SERIES
Female Swivel JIS Parallel Pipe
30° Cone - 90° Elbow - Metric

4056 SERIES



Catalog Part Number	Descriptive Part Number	Thread	Hose Inside Diameter		"A" Dimension Overall Length		"B" Dimension Cut-Off Length		"D" Dimension Drop		Hex Size H1		Weight		Bulk Pack
			inch	mm	inch	mm	inch	mm	inch	mm	inch	mm	lbs.	kg	qty
4056-0606	JB40FSPPJIS90-06-06	3/8-19	3/8	9.5	2.76	70.0	1.65	42.0	1.22	31.0	0.87	22	0.29	0.13	100
4056-0808	JB40FSPPJIS90-08-08	1/2-14	1/2	12.7	2.80	71.0	1.50	38.0	1.30	33.0	1.06	27	0.40	0.18	70
4056-1212	JB40FSPPJIS90-12-12	3/4-14	3/4	19.1	4.02	102.0	2.40	61.0	2.09	53.0	1.42	36	1.00	0.45	32
4056-1616	JB40FSPPJIS90-16-16	1-11	1	25.4	5.04	128.0	3.19	81.0	2.48	63.0	1.61	41	1.62	0.73	15
4056-2020	JB40FSPPJIS90-20-20	1-1/4-11	1-1/4	31.8	5.51	140.0	3.66	93.0	3.35	85.0	1.97	50	2.18	0.99	15
4056-2424	JB40FSPPJIS90-24-24	1-1/2-11	1-1/2	38.1	5.94	151.0	3.58	91.0	3.46	88.0	2.17	55	2.76	1.25	10
4056-3232	JB40FSPPJIS90-32-32	2-11	2	50.2	8.11	206.0	5.31	135.0	5.51	140.0	2.87	73	7.61	3.45	6

Please note that 4056 Series will be replaced by 4050 Series

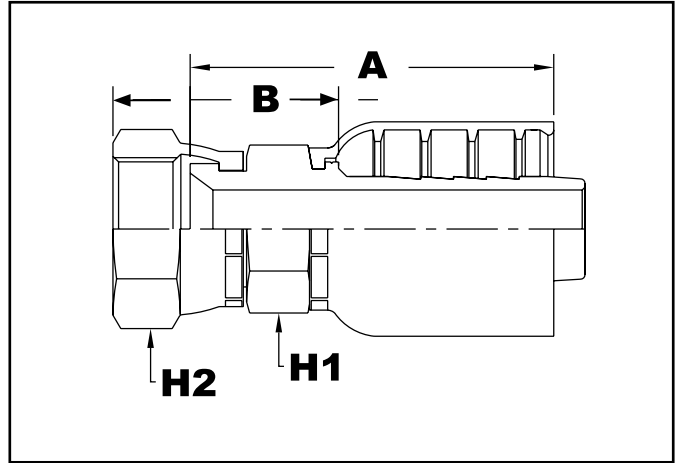
*Standard Pack is 1.

We disclaim any liability for use of our products in applications other than which they are designed.

WARNING: This product can expose you to chemicals including lead, which is known to the State of California to cause cancer, birth defects or other reproductive harm. For more information visit www.P65WARNINGS.ca.gov

4070 SERIES

**JB40KFSM SERIES
Komatsu Female Swivel
30° Flare - Metric**



Catalog Part Number	Descriptive Part Number	Thread	Hose Inside Diameter		"A" Dimension Overall Length		"B" Dimension Cut-Off Length		Hex Sizes				Weight		Bulk Pack
			inch	mm	inch	mm	inch	mm	H1		H2		lbs.	kg	qty
4070-1806	JB40KFSM-18-06	M18-1.5	3/8	9.5	2.01	51.0	0.91	23.0	0.87	22	0.94	24	0.31	0.14	130
4070-2208	JB40KFSM-22-08	M22-1.5	1/2	12.7	2.20	56.0	0.94	24.0	1.06	27	1.06	27	0.39	0.18	80
4070-2410	JB40KFSM-24-10	M24-1.5	5/8	15.9	2.76	70.0	1.22	31.0	1.06	27	1.26	32	0.57	0.26	60
4070-3012	JB40KFSM-30-12	M30-1.5	3/4	19.1	3.03	77.0	1.46	37.0	1.26	32	1.42	36	0.71	0.32	50
4070-3316	JB40KFSM-33-16	M33-1.5	1	25.4	3.19	81.0	1.34	34.0	1.42	36	1.61	41	1.25	0.57	8

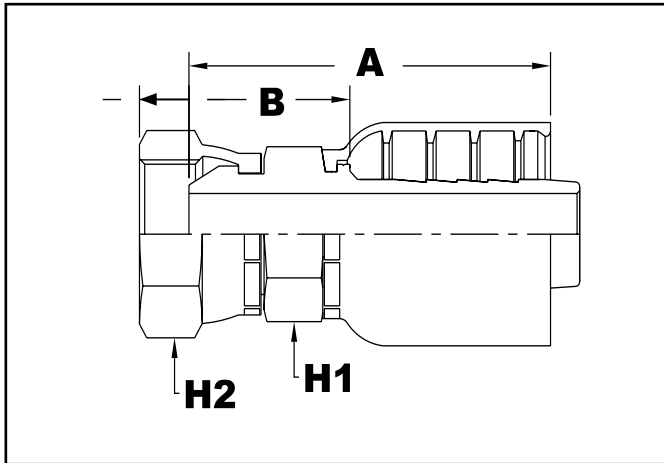
*Standard Pack is 1.

We disclaim any liability for use of our products in applications other than which they are designed.

WARNING: This product can expose you to chemicals including lead, which is known to the State of California to cause cancer, birth defects or other reproductive harm. For more information visit www.P65WARNINGS.ca.gov

JB40FSM SERIES
Female Swivel 60° Cone - Metric
DIN 3863

4071 SERIES



Catalog Part Number	Descriptive Part Number	Thread	Hose Inside Diameter		"A" Dimension Overall Length		"B" Dimension Cut-Off Length		Hex Sizes				Weight		Bulk Pack
			inch	mm	inch	mm	inch	mm	H1		H2		lbs.	kg	
4071-2006	JB40FSM-20-06	M20-1.5	3/8	9.5	2.13	54.0	1.02	26.0	0.94	24	0.94	24	0.26	0.12	130
4071-2206	JB40FSM-22-06	M22-1.5	3/8	9.5	2.20	56.0	1.10	28.0	1.02	26	1.02	26	0.26	0.12	100
4071-2408	JB40FSM-24-08	M24-1.5	1/2	12.7	2.36	60.0	1.14	29.0	1.18	30	1.18	30	0.31	0.14	80
4071-3012	JB40FSM-30-12	M30-1.5	3/4	19.1	2.83	72.0	1.26	32.0	1.42	36	1.42	36	0.77	0.35	50
4071-3816	JB40FSM-38-16	M38-1.5	1	25.4	2.87	73.0	1.26	32.0	1.81	46	1.81	46	1.23	0.56	8
4071-4520	JB40FSM-45-20	M45-1.5	1-1/4	31.8	3.23	82.0	1.38	35.0	1.97	50	1.97	50	1.76	0.80	8

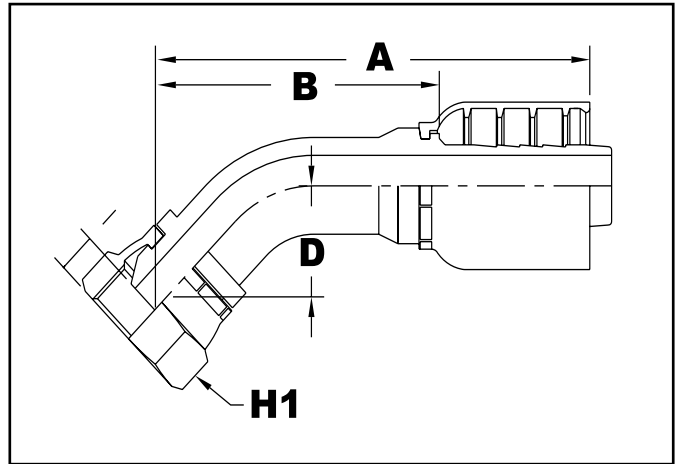
*Standard Pack is 1.

We disclaim any liability for use of our products in applications other than which they are designed.

WARNING: This product can expose you to chemicals including lead, which is known to the State of California to cause cancer, birth defects or other reproductive harm. For more information visit www.P65WARNINGS.ca.gov

4072 SERIES

**JB40FSM45 SERIES
Female Swivel 30° Cone
45° Elbow - Metric - DIN 3863**



HYDRAULIC COUPLINGS - 40/JB40

Catalog Part Number	Descriptive Part Number	Thread	Hose Inside Diameter		"A" Dimension Overall Length		"B" Dimension Cut-Off Length		"D" Dimension Drop		Hex Size		Weight		Bulk Pack
			inch	mm	inch	mm	inch	mm	inch	mm	inch	mm	lbs.	kg	
4072-2006	JB40FSM45-20-06	M20-1.5	3/8	9.5	2.83	72.0	1.77	45.0	0.71	18.0	1.42	36.0	0.37	0.17	100
4072-2206	JB40FSM45-22-06	M22-1.5	3/8	9.5	2.91	74.0	1.85	47.0	0.79	20.0	1.42	36.0	0.37	0.17	100
4072-2408	JB40FSM45-24-08	M24-1.5	1/2	12.7	3.31	84.0	2.05	52.0	0.79	20.0	1.42	36.0	0.40	0.18	50
4072-3012	JB40FSM45-30-12	M30-1.5	3/4	19.1	4.72	120.0	3.15	80.0	1.18	30.0	1.42	36.0	0.95	0.43	32
4072-3816	JB40FSM45-38-16	M38-1.5	1	25.4	4.96	126.0	3.19	81.0	1.30	33.0	1.61	41.0	1.61	0.73	6
4072-4520	JB40FSM45-45-20	M45-1.5	1-1/4	31.8	6.02	153.0	4.17	106.0	1.65	42.0	1.97	50.0	2.76	1.25	6

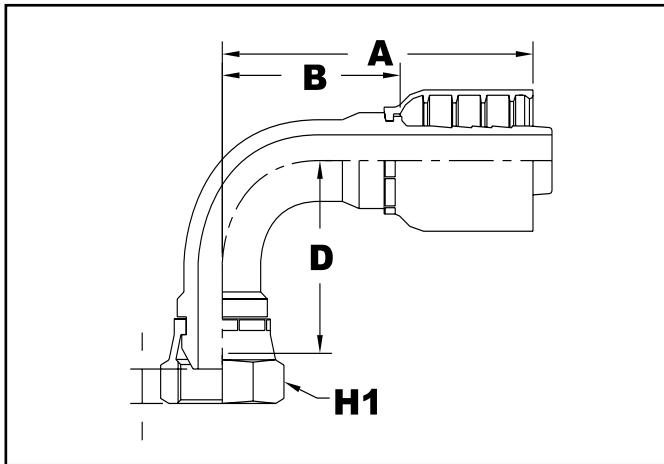
*Standard Pack is 1.

We disclaim any liability for use of our products in applications other than which they are designed.

⚠ WARNING: This product can expose you to chemicals including lead, which is known to the State of California to cause cancer, birth defects or other reproductive harm. For more information visit www.P65WARNINGS.ca.gov

JB40FSM90 SERIES
Female Swivel 60° Cone
90° Elbow - Metric - DIN 3863

4073 SERIES



Catalog Part Number	Descriptive Part Number	Thread	Hose Inside Diameter		"A" Dimension Overall Length		"B" Dimension Cut-Off Length		"D" Dimension Drop		Hex Size		Weight		Bulk Pack
			inch	mm	inch	mm	inch	mm	inch	mm	inch	mm	lbs.	kg	qty
4073-2006	JB40FSM90-20-06	M20-1.5	3/8	9.5	2.76	70.0	1.69	43.0	1.22	31.0	1.42	36.0	0.20	0.09	100
4073-2206	JB40FSM90-22-06	M22-1.5	3/8	9.5	2.76	70.0	1.69	43.0	1.30	33.0	1.42	36.0	0.22	0.10	100
4073-2408	JB40FSM90-24-08	M24-1.5	1/2	12.7	2.80	71.0	1.54	39.0	1.30	33.0	1.42	36.0	0.26	0.12	50
4073-3012	JB40FSM90-30-12	M30-1.5	3/4	19.1	4.02	102.0	2.44	62.0	2.09	53.0	1.42	36.0	0.97	0.44	32
4073-3816	JB40FSM90-38-16	M38-1.5	1	25.4	5.04	128.0	3.27	83.0	2.48	63.0	1.61	41.0	1.87	0.85	6
4073-4520	JB40FSM90-45-20	M45-1.5	1-1/4	31.8	5.51	140.0	3.66	93.0	3.35	85.0	1.97	50.0	2.65	1.20	6

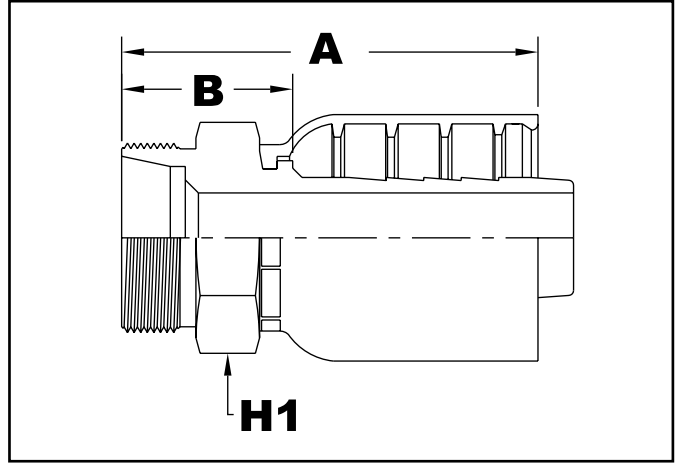
*Standard Pack is 1.

We disclaim any liability for use of our products in applications other than which they are designed.

WARNING: This product can expose you to chemicals including lead, which is known to the State of California to cause cancer, birth defects or other reproductive harm. For more information visit www.P65WARNINGS.ca.gov

4075 SERIES

**JB40MM SERIES
Male DIN 3853 - Metric**



HYDRAULIC COUPLINGS - 40/JB40

Catalog Part Number	Descriptive Part Number	Thread	Hose Inside Diameter		"A" Dimension Overall Length		"B" Dimension Cut-Off Length		Hex Size H1		Tube Outside Diameter		Weight		Bulk Pack
			inch	mm	inch	mm	inch	mm	inch	mm	inch	mm	lbs.	kg	qty
4075-1806	JB40MM-18-06	M18-1.5	3/8	9.5	2.01	51.0	0.91	23.0	0.75	19.0	0.39	10	0.22	0.10	130
4075-2006	JB40MM-20-06	M20-1.5	3/8	9.5	2.01	51.0	0.91	23.0	0.87	22.0	0.47	12	0.24	0.11	130
4075-2206	JB40MM-22-06	M22-1.5	3/8	9.5	2.20	56.0	0.94	24.0	0.87	22.0	0.55	14	0.31	0.14	100
4075-2408	JB40MM-24-08	M24-1.5	1/2	12.7	2.24	57.0	0.98	25.0	1.18	30.0	0.63	16	0.33	0.15	80
4075-3010	JB40MM-30-10	M30-2.0	5/8	15.9	2.56	65.0	1.02	26.0	1.18	30.0	0.79	20	0.51	0.23	60
4075-3612	JB40MM-36-12	M36-2.0	3/4	19.1	2.72	69.0	1.14	29.0	1.42	36.0	0.98	25	0.73	0.33	36
4075-4216	JB40MM-42-16	M42-2.0	1	25.4	3.07	78.0	1.22	31.0	1.65	42.0	1.18	30	0.79	0.36	8
4075-5220	JB40MM-52-20	M52-2.0	1-1/4	31.8	3.46	88.0	1.61	41.0	2.17	55.0	1.50	38	1.08	0.49	8

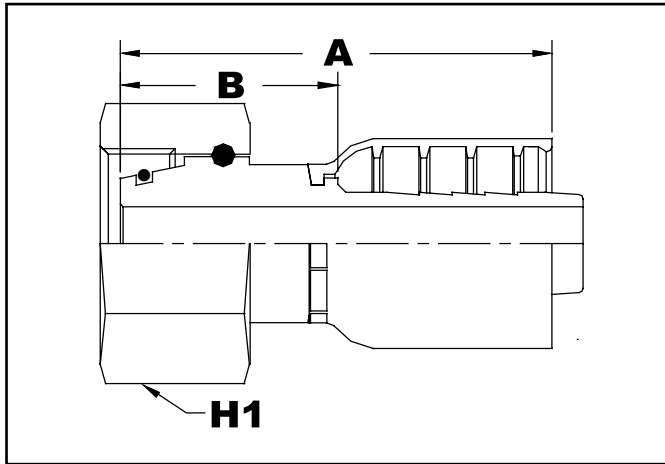
*Standard Pack is 1.

We disclaim any liability for use of our products in applications other than which they are designed.

WARNING: This product can expose you to chemicals including lead, which is known to the State of California to cause cancer, birth defects or other reproductive harm. For more information visit www.P65WARNINGS.ca.gov

JB40LFSORM SERIES
Female Swivel O-Ring
24° Cone - DIN 3865 L (Light)

4077 SERIES



Catalog Part Number	Descriptive Part Number	Thread	Hose Inside Diameter		"A" Dimension Overall Length		"B" Dimension Cut-Off Length		Hex Size		Tube Outside Diameter		Weight		Bulk Pack
			inch	mm	inch	mm	inch	mm	inch	mm	inch	mm	lbs.	kg	qty
4077-1606	JB40LFSORM-16-06	M16-1.5	3/8	9.5	2.36	60.0	1.26	32.0	0.75	19.0	0.39	10.0	0.29	0.13	130
4077-1806	JB40LFSORM-18-06	M18-1.5	3/8	9.5	2.32	59.0	1.22	31.0	0.87	22.0	0.47	12.0	0.31	0.14	130
4077-2208	JB40LFSORM-22-08	M22-1.5	1/2	12.7	2.64	67.0	1.38	35.0	1.06	27.0	0.59	15.0	0.35	0.16	80
4077-2610	JB40LFSORM-26-10	M26-1.5	5/8	15.9	3.07	78.0	1.54	39.0	1.26	32.0	0.71	18.0	0.42	0.19	60
4077-3012	JB40LFSORM-30-12	M30-2.0	3/4	19.1	3.19	81.0	1.61	41.0	1.42	36.0	0.87	22.0	0.73	0.33	50
4077-3616	JB40LFSORM-36-16	M36-2.0	1	25.4	3.66	93.0	1.81	46.0	1.61	41.0	1.10	28.0	1.26	0.57	8
4077-4520	JB40LFSORM-45-20	M45-2.0	1-1/4	31.8	4.02	102.0	2.17	55.0	1.97	50.0	1.38	35.0	1.76	0.80	8

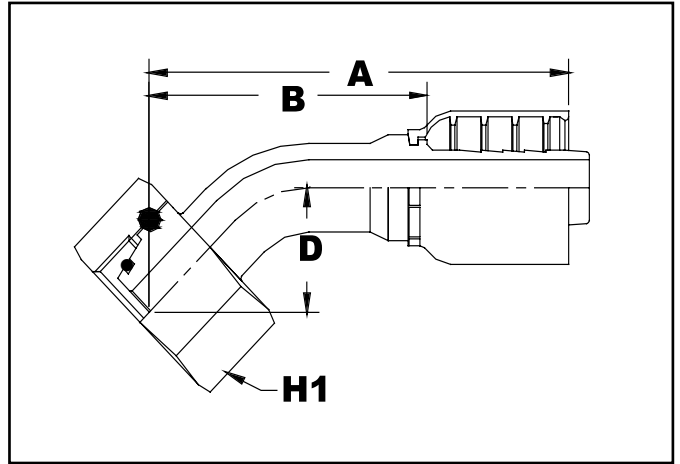
*Standard Pack is 1.

We disclaim any liability for use of our products in applications other than which they are designed.

WARNING: This product can expose you to chemicals including carbon black, which is known to the State of California to cause cancer, birth defects or other reproductive harm. For more information visit www.P65WARNINGS.ca.gov

4078 SERIES

JB40LFSORM45 SERIES
Female Swivel O-Ring - 24° Cone
DIN 3865 L (Light) - 45° Elbow



HYDRAULIC COUPLINGS - 40/JB40

Catalog Part Number	Descriptive Part Number	Thread	Hose Inside Diameter		"A" Dimension Overall Length		"B" Dimension Cut-Off Length		"D" Dimension Drop		Hex Size		Tube Outside Diameter		Weight		Bulk Pack
			inch	mm	inch	mm	inch	mm	inch	mm	inch	mm	inch	mm	lbs.	kg	qty
4078-1606	JB40LFSORM45-16-06	M16-1.5	3/8	9.5	2.91	74.0	1.81	46.0	0.83	21.0	0.75	19.0	0.39	10.0	0.29	0.13	100
4078-1806	JB40LFSORM45-18-06	M18-1.5	3/8	9.5	29.1	74.0	1.81	46.0	0.83	21.0	0.87	22.0	0.47	12.0	0.31	0.14	100
4078-2208	JB40LFSORM45-22-08	M22-1.5	1/2	12.7	3.46	88.0	2.17	55.0	1.10	28.0	1.06	27.0	0.59	15.0	0.33	0.15	50
4078-2610	JB40LFSORM45-26-10	M26-1.5	5/8	15.9	4.06	103.0	2.48	63.0	1.18	30.0	1.26	32.0	0.71	18.0	0.57	0.26	50
4078-2612	JB40LFSORM45-26-12	M26-1.5	3/4	19.1	4.96	126.0	3.35	85.0	1.50	38.0	1.26	32.0	0.71	18.0	0.60	0.27	32
4078-3012	JB40LFSORM45-30-12	M30-2.0	3/4	19.1	4.88	124.0	3.27	83.0	1.42	36.0	1.42	36.0	0.87	22.0	0.95	0.43	32
4078-3612	JB40LFSORM45-36-12	M36-2.0	3/4	19.1	4.88	124.0	3.27	83.0	1.42	36.0	1.61	41.0	1.10	28.0	1.04	0.47	36
4078-3616	JB40LFSORM45-36-16	M36-2.0	1	25.4	5.16	131.0	3.31	84.0	1.46	37.0	1.61	41.0	1.10	28.0	1.57	0.71	6
4078-4520	JB40LFSORM45-45-20	M45-2.0	1-1/4	31.8	6.18	157.0	4.33	110.0	1.85	47.0	1.97	50.0	1.38	35.0	2.80	1.27	6
4078-5224	JB40LFSORM45-52-24	M52-2.0	1-1/2	38.1	7.09	180.0	4.72	120.0	2.48	63.0	2.36	60.0	1.65	42.0	3.20	1.45	6

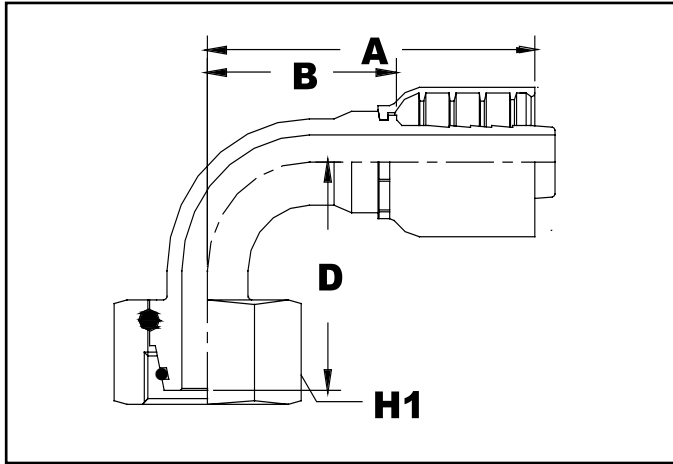
*Standard Pack is 1.

We disclaim any liability for use of our products in applications other than which they are designed.

WARNING: This product can expose you to chemicals including carbon black, which is known to the State of California to cause cancer, birth defects or other reproductive harm. For more information visit www.P65WARNINGS.ca.gov

JB40LFSORM90 SERIES
Female Swivel O-Ring
24° Cone - DIN 3865 L (Light) - 90° Elbow

4079 SERIES



Catalog Part Number	Descriptive Part Number	Thread	Hose Inside Diameter		"A" Dimension Overall Length		"B" Dimension Cut-Off Length		"D" Dimension Drop		Hex Size		Tube Outside Diameter		Weight		Bulk Pack
			inch	mm	inch	mm	inch	mm	inch	mm	inch	mm	inch	mm	lbs.	kg	qty
4079-1606	JB40LFSORM90-16-06	M16-1.5	3/8	9.5	2.76	70.0	1.65	42.0	1.26	32.0	0.75	19.0	0.39	10.0	0.18	0.08	100
4079-1806	JB40LFSORM90-18-06	M18-1.5	3/8	9.5	2.76	70.0	1.65	42.0	1.30	33.0	0.87	22.0	0.47	12.0	0.20	0.09	100
4079-2208	JB40LFSORM90-22-08	M22-1.5	1/2	12.7	2.80	71.0	1.50	38.0	1.46	37.0	1.06	27.0	0.59	15.0	0.24	0.11	50
4079-2610	JB40LFSORM90-26-10	M26-1.5	5/8	15.9	2.83	72.0	1.65	42.0	2.01	51.0	1.26	32.0	0.71	18.0	0.84	0.38	50
4079-2612	JB40LFSORM90-26-12	M26-1.5	3/4	19.1	4.02	102.0	2.40	61.0	2.48	63.0	1.26	32.0	0.71	18.0	0.99	0.45	32
4079-3012	JB40LFSORM90-30-12	M30-2.0	3/4	19.1	4.02	102.0	2.40	61.0	2.40	61.0	1.42	36.0	0.87	22.0	1.10	0.50	32
4079-3612	JB40LFSORM90-36-12	M36-2.0	3/4	19.1	4.02	102.0	2.40	61.0	2.40	61.0	1.61	41.0	1.10	28.0	1.74	0.79	36
4079-3616	JB40LFSORM90-36-16	M36-2.0	1	25.4	5.04	128.0	3.19	81.0	2.68	68.0	1.61	41.0	1.10	28.0	1.92	0.87	3
4079-4520	JB40LFSORM90-45-20	M45-2.0	1-1/4	31.8	5.51	140.0	3.66	93.0	3.43	87.0	1.97	50.0	1.38	35.0	2.65	1.20	3
4079-5224	JB40LFSORM90-52-24	M52-2.0	1-1/2	38.1	5.94	151.0	3.58	91.0	3.58	91.0	2.36	60.0	1.65	42.0	3.66	1.66	3

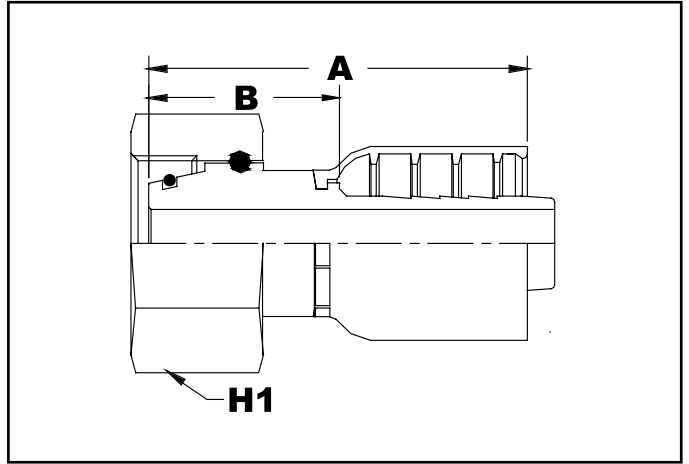
*Standard Pack is 1.

We disclaim any liability for use of our products in applications other than which they are designed.

WARNING: This product can expose you to chemicals including carbon black, which is known to the State of California to cause cancer, birth defects or other reproductive harm. For more information visit www.P65WARNINGS.ca.gov

4080 SERIES

JB40FSORM SERIES
Female Swivel O-Ring - 24° Cone
DIN 3865 S (Standard)



HYDRAULIC COUPLINGS - 40/JB40

Catalog Part Number	Descriptive Part Number	Thread	Hose Inside Diameter		"A" Dimension Overall Length		"B" Dimension Cut-Off Length		Hex Size		Tube Outside Diameter		Weight		Bulk Pack
			inch	mm	inch	mm	inch	mm	inch	mm	inch	mm	lbs.	kg	qty
4080-1806	JB40FSORM-18-06	M18-1.5	3/8	9.5	2.36	60.0	1.26	32.0	0.87	22.0	0.39	10.0	0.26	0.12	130
4080-2006	JB40FSORM-20-06	M20-1.5	3/8	9.5	2.36	60.0	1.26	32.0	0.94	24.0	0.47	12.0	0.31	0.14	100
4080-2206	JB40FSORM-22-06	M22-1.5	3/8	9.5	2.36	60.0	1.26	32.0	1.06	27.0	0.55	14.0	0.44	0.20	100
4080-2408	JB40FSORM-24-08	M24-1.5	1/2	12.7	2.64	67.0	1.38	35.0	1.18	30.0	0.63	16.0	0.45	0.21	80
4080-3010	JB40FSORM-30-10	M30-2.0	5/8	15.9	3.03	77.0	1.54	39.0	1.42	36.0	0.79	20.0	1.01	0.46	60
4080-3612	JB40FSORM-36-12	M36-2.0	3/4	19.1	3.15	80.0	1.61	41.0	1.61	41.0	0.98	25.0	1.02	0.46	36
4080-4216	JB40FSORM-42-16	M42-2.0	1	25.4	3.66	93.0	1.81	46.0	1.97	50.0	1.18	30.0	1.53	0.70	8
4080-5220	JB40FSORM-52-20	M52-2.0	1-1/4	31.8	4.02	102.0	2.17	55.0	2.36	60.0	1.50	38.0	2.13	0.97	8
4080-5224	JB40FSORM-52-24	M52-2.0	1-1/2	38.1	4.76	121.0	2.44	62.0	2.36	60.0	1.50	38.0	2.36	1.07	8

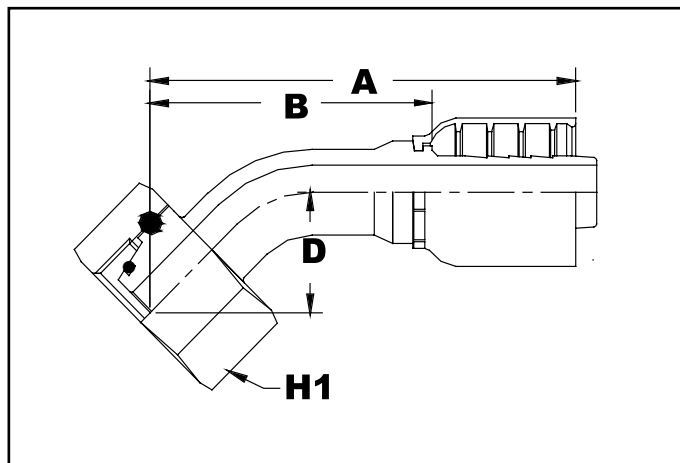
*Standard Pack is 1.

We disclaim any liability for use of our products in applications other than which they are designed.

WARNING: This product can expose you to chemicals including carbon black, which is known to the State of California to cause cancer, birth defects or other reproductive harm. For more information visit www.P65WARNINGS.ca.gov

JB40FSORM45 SERIES
Female Swivel O-Ring - 24° Cone
DIN 3865 - S (Standard) - 45° Elbow

4081 SERIES



Catalog Part Number	Descriptive Part Number	Thread	Hose Inside Diameter		"A" Dimension Overall Length		"B" Dimension Cut-Off Length		"D" Dimension Drop		Hex Size		Tube Outside Diameter		Weight		Bulk Pack
			inch	mm	inch	mm	inch	mm	inch	mm	inch	mm	inch	mm	lbs.	kg	qty
4081-1806	JB40FSORM45-18-06	M18-1.5	3/8	9.5	2.99	76.0	1.89	48.0	0.91	23.0	0.87	22.0	0.39	10.0	0.33	0.15	100
4081-2006	JB40FSORM45-20-06	M20-1.5	3/8	9.5	2.99	76.0	1.89	48.0	0.91	23.0	0.94	24.0	0.47	12.0	0.37	0.17	100
4081-2206	JB40FSORM45-22-06	M22-1.5	3/8	9.5	2.99	76.0	1.89	48.0	0.91	23.0	1.06	27.0	0.55	14.0	0.40	0.18	100
4081-2408	JB40FSORM45-24-08	M24-1.5	1/2	12.7	3.54	90.0	2.24	57.0	1.18	30.0	1.26	32.0	0.63	16.0	0.50	0.23	50
4081-3010	JB40FSORM45-30-10	M30-2.0	5/8	15.9	3.98	101.0	2.40	61.0	1.10	28.0	1.42	36.0	0.79	20.0	0.86	0.39	50
4081-3012	JB40FSORM45-30-12	M30-2.0	3/4	19.1	4.88	124.0	3.27	83.0	1.42	36.0	1.42	36.0	0.79	20.0	0.90	0.41	32
4081-3612	JB40FSORM45-36-12	M36-2.0	3/4	19.1	4.92	125.0	3.31	84.0	1.46	37.0	1.81	46.0	0.98	25.0	1.19	0.54	36
4081-3616	JB40FSORM45-36-16	M36-2.0	1	25.4	5.20	132.0	3.35	85.0	1.50	38.0	1.81	46.0	0.98	25.0	1.43	0.65	6
4081-4216	JB40FSORM45-42-16	M42-2.0	1	25.4	5.20	132.0	3.35	85.0	1.50	38.0	1.97	50.0	1.18	30.0	1.57	0.71	6
4081-5220	JB40FSORM45-52-20	M52-2.0	1-1/4	31.8	6.22	158.0	4.37	111.0	1.89	48.0	2.36	60.0	1.50	38.0	1.85	0.84	6
4081-5224	JB40FSORM45-52-24	M52-2.0	1-1/2	38.1	7.05	179.0	4.69	119.0	2.44	62.0	2.36	60.0	1.50	38.0	3.20	1.45	6

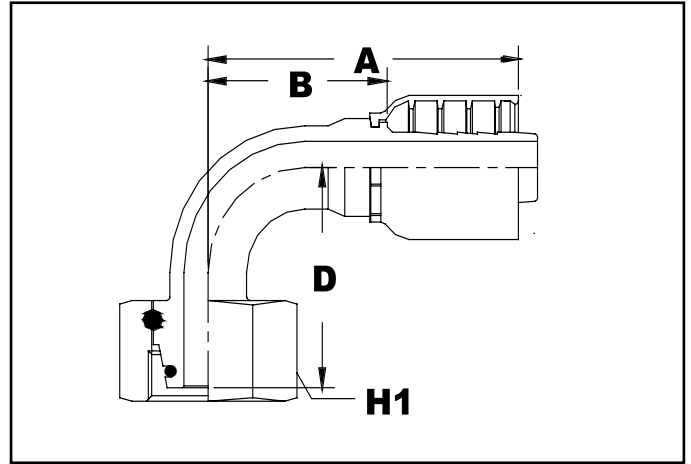
*Standard Pack is 1.

We disclaim any liability for use of our products in applications other than which they are designed.

WARNING: This product can expose you to chemicals including carbon black, which is known to the State of California to cause cancer, birth defects or other reproductive harm. For more information visit www.P65WARNINGS.ca.gov

4082 SERIES

JB40FSORM SERIES
Female Swivel O-Ring - 24° Cone
DIN 3865 S (Standard) - 90° Elbow



HYDRAULIC COUPLINGS - 40/JB40

Catalog Part Number	Descriptive Part Number	Thread	Hose Inside Diameter		"A" Dimension Overall Length		"B" Dimension Cut-Off Length		"D" Dimension Drop		Hex Size H1		Tube Outside Diameter		Weight		Bulk Pack
			inch	mm	inch	mm	inch	mm	inch	mm	inch	mm	inch	mm	lbs.	kg	qty
4082-1806	JB40FSORM90-18-06	M18-1.5	3/8	9.5	2.76	70.0	1.65	42.0	1.38	35.0	0.87	22.0	0.39	10.0	0.24	0.11	100
4082-2006	JB40FSORM90-20-06	M20-1.5	3/8	9.5	2.76	70.0	1.65	42.0	1.38	35.0	0.94	24.0	0.47	12.0	0.26	0.12	100
4082-2206	JB40FSORM90-22-06	M22-1.5	3/8	9.5	2.76	70.0	1.65	42.0	1.42	36.0	1.06	27.0	0.55	14.0	0.29	0.13	50
4082-2408	JB40FSORM90-24-08	M24-1.5	1/2	12.7	2.80	71.0	1.50	38.0	1.57	40.0	1.18	30.0	0.63	16.0	0.52	0.24	50
4082-3010	JB40FSORM90-30-10	M30-2.0	5/8	15.9	2.83	72.0	1.65	42.0	1.93	49.0	1.42	36.0	0.79	20.0	0.88	0.40	50
4082-3012	JB40FSORM90-30-12	M30-2.0	3/4	19.1	4.02	102.0	2.40	61.0	2.40	61.0	1.42	36.0	0.79	20.0	1.02	0.46	32
4082-3612	JB40FSORM90-36-12	M36-2.0	3/4	19.1	4.02	102.0	2.40	61.0	2.44	62.0	1.61	41.0	0.98	25.0	1.31	0.59	36
4082-3616	JB40FSORM90-36-16	M36-2.0	1	25.4	5.04	128.0	3.19	81.0	2.72	69.0	1.61	41.0	0.98	25.0	1.66	0.75	3
4082-4216	JB40FSORM90-42-16	M42-2.0	1	25.4	5.04	128.0	3.19	81.0	2.76	70.0	1.97	50.0	1.18	30.0	1.85	0.84	3
4082-5220	JB40FSORM90-52-20	M52-2.0	1-1/4	31.8	5.51	140.0	3.66	93.0	3.39	86.0	2.36	60.0	1.50	38.0	2.45	1.11	3
4082-5224	JB40FSORM90-52-24	M52-2.0	1-1/2	38.1	5.94	151.0	3.58	91.0	3.54	90.0	2.36	60.0	1.50	38.0	3.46	1.57	3

*Standard Pack is 1.

We disclaim any liability for use of our products in applications other than which they are designed.

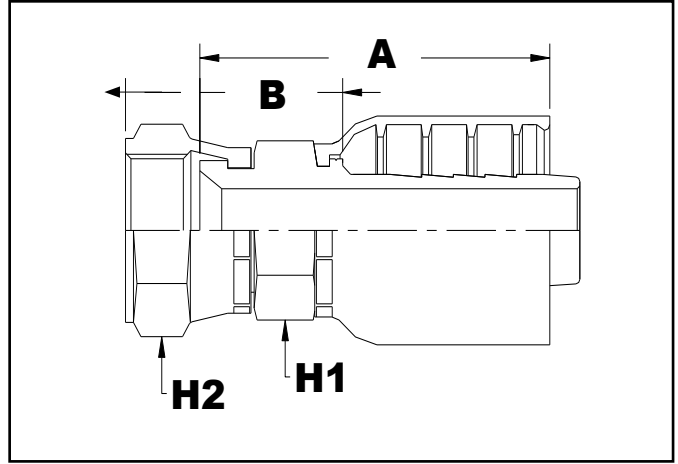
WARNING: This product can expose you to chemicals including carbon black, which is known to the State of California to cause cancer, birth defects or other reproductive harm. For more information visit www.P65WARNINGS.ca.gov

60/JB60 SERIES COUPLINGS - FOR 4 & 6-WIRE SPIRAL HOSES

<u>SERIES</u>	<u>DESCRIPTIVE SERIES</u>	<u>DESCRIPTION</u>	<u>PAGE</u>
6000	JB60FS	Female Swivel JIC 37° Flare	144
6002	JB60FS45	Female Swivel JIC 37° Flare 45° Elbow	145
6004	JB60FS90	Female Swivel JIC 37° Flare 90° Elbow	146
6005	JB60OFS	Female O-Ring Face Seal - Straight	147
6007	JB60OFS45	Female O-Ring Face Seal - 45° Elbow	148
6009	JB60OFS90	Female O-Ring Face Seal - 90° Elbow	149
6020	JB60MP	Male Pipe Rigid NPTF	150
6024	NEW! JB60MPAPI	Male Pipe API	151
6032	NEW! JB60MOFS	SAE Male O-Ring Face Seal	152
6034	JB60C61S	SAE Code 61 Flange Straight	153
6036	JB60C6145	SAE Code 61 Flange 45° Elbow	154
6039	JB60C6190	SAE Code 61 Flange 90° Elbow	155
6041	JB60C62S	SAE Code 62 Flange Straight	156
6043	JB60C6245	SAE Code 62 Flange 45° Elbow	157
6045	JB60C6290	SAE Code 62 Flange 90° Elbow	158
6048	JB60FSPPBSP	Female Swivel Parallel Pipe - BSP 30° Cone - Metric	159
6049	JB60FSPPBSP45	Female Swivel Parallel Pipe - BSP 30° Cone - 45° Elbow - Metric	160
6050	JB60FSPPBSP90	Female Swivel Parallel Pipe - BSP 30° Cone - 90° Elbow - Metric	161
6060	JB60CATS	Caterpillar Style Flange - Straight	162
6062	JB60CAT45	Caterpillar Style Flange - 45° Elbow	163
6064	JB60CAT90	Caterpillar Style Flange - 90° Elbow	164

6000 SERIES

**JB60FS SERIES
Female Swivel JIC 37° Flare**



Catalog Part Number	Descriptive Part Number	Thread	Hose Inside Diameter		"A" Dimension Overall Length		"B" Dimension Cut-Off Length		Hex Sizes				Weight		Bulk Pack
			inch	mm	inch	mm	inch	mm	H1		H2		lbs.	kg	qty
									inch	mm	inch	mm			
6000-1212	JB60FS-12-12	1-1/16-12	3/4	19.1	2.68	68.0	1.14	29.0	1.06	26.9	1.25	31.7	0.77	0.35	50
6000-1616	JB60FS-16-16	1-5/16-12	1	25.4	3.39	86.0	1.34	34.0	1.50	38.1	1.37	34.9	1.21	0.55	36
6000-2020	JB60FS-20-20	1-5/8-12	1-1/4	31.8	4.06	103.0	1.57	40.0	1.87	47.6	2.00	50.8	2.24	1.01	15
6000-2424	JB60FS-24-24	1-7/8-12	1-1/2	38.1	4.21	107.0	1.69	43.0	2.12	53.9	2.12	53.9	3.27	1.48	12
6000-3232	JB60FS-32-32	2-1/2-12	2	50.8	5.16	131.0	2.17	55.0	2.50	63.5	2.87	73.0	4.92	2.23	8

*Standard Pack is 1.

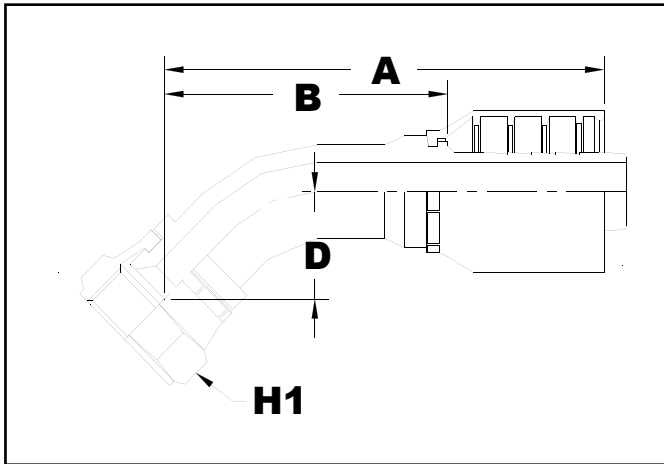
We disclaim any liability for use of our products in applications other than which they are designed.

WARNING: This product can expose you to chemicals including lead, which is known to the State of California to cause cancer, birth defects or other reproductive harm. For more information visit www.P65WARNINGS.ca.gov

HYDRAULIC COUPLINGS - 60/JB60

JB60FS45 SERIES
Female Swivel JIC 37° Flare - 45° Elbow

6002 SERIES



Catalog Part Number	Descriptive Part Number	Thread	Hose Inside Diameter		"A" Dimension Overall Length		"B" Dimension Cut-Off Length		"D" Dimension Drop		Hex Size		Weight		Bulk Pack
			inch	mm	inch	mm	inch	mm	inch	mm	inch	mm	lbs.	kg	
6002-1212	JB60FS45-12-12	1-1/16-12	3/4	19.1	4.96	126.0	2.95	75.0	1.02	26.0	1.25	31.7	0.79	0.36	32
6002-1616	JB60FS45-16-16	1-5/16-12	1	25.4	5.08	129.0	3.03	77.0	1.22	31.0	1.50	38.1	1.41	0.64	18
6002-2020	JB60FS45-20-20	1-5/8-12	1-1/4	31.8	6.46	164.0	4.06	103.0	1.57	40.0	2.00	50.8	2.24	1.01	12
6002-2424	JB60FS45-24-24	1-7/8-12	1-1/2	38.1	7.09	180.0	4.53	115.0	1.81	46.0	2.12	53.9	3.27	1.48	10
6002-3232	JB60FS45-32-32	2-1/2-12	2	50.8	8.50	216.0	5.51	140.0	2.44	62.0	2.87	73.0	4.92	2.23	6

*Standard Pack is 1.

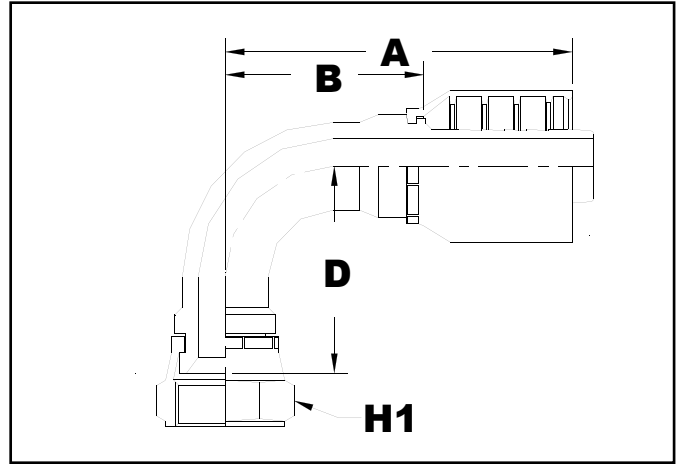
We disclaim any liability for use of our products in applications other than which they are designed.

WARNING: This product can expose you to chemicals including lead, which is known to the State of California to cause cancer, birth defects or other reproductive harm. For more information visit www.P65WARNINGS.ca.gov

6004 SERIES

JB60FS90 SERIES

Female Swivel JIC 37° Flare - 90° Elbow



Catalog Part Number	Descriptive Part Number	Thread	Hose Inside Diameter		"A" Dimension Overall Length		"B" Dimension Cut-Off Length		"D" Dimension Drop		Hex Sizes		Weight		Bulk Pack
			inch	mm	inch	mm	inch	mm	inch	mm	inch	mm	lbs.	kg	
6004-1212	JB60FS90-12-12	1-1/16-12	3/4	19.1	4.45	113.0	2.40	61.0	1.97	50.0	1.25	31.7	0.86	0.39	32
6004-1616	JB60FS90-16-16	1-5/16-12	1	25.4	5.31	135.0	3.19	81.0	2.44	62.0	1.50	38.1	1.30	0.59	15
6004-2020	JB60FS90-20-20	1-5/8-12	1-1/4	31.8	6.06	154.0	3.66	93.0	3.23	82.0	2.00	50.8	2.90	1.31	10
6004-2424	JB60FS90-24-24	1-7/8-12	1-1/2	38.1	6.14	156.0	3.58	91.0	3.39	86.0	2.12	53.9	3.51	1.59	7
6004-3232	JB60FS90-32-32	2-1/2-12	2	50.8	8.31	211.0	5.31	135.0	5.28	134.0	2.87	73.0	7.76	3.52	3

*Standard Pack is 1.

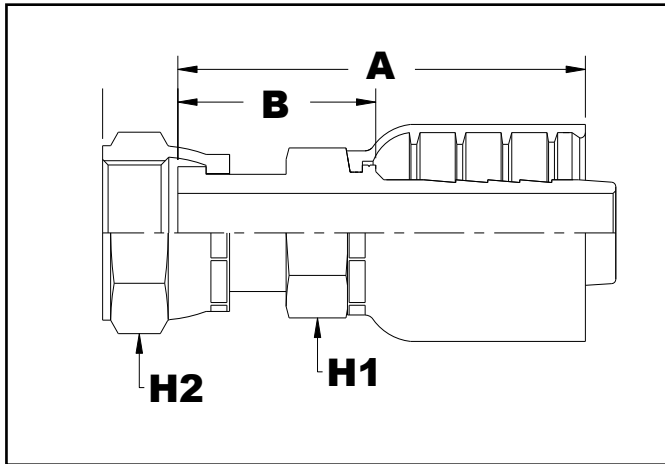
We disclaim any liability for use of our products in applications other than which they are designed.

WARNING: This product can expose you to chemicals including lead, which is known to the State of California to cause cancer, birth defects or other reproductive harm. For more information visit www.P65WARNINGS.ca.gov

HYDRAULIC COUPLINGS - 60/JB60

JB60OFS SERIES
Female O-Ring Face Seal - Straight

6005 SERIES



Catalog Part Number	Descriptive Part Number	Thread	Hose Inside Diameter		"A" Dimension Overall Length		"B" Dimension Cut-Off Length		Hex Sizes				Weight		Bulk Pack
			inch	mm	inch	mm	inch	mm	H1		H2		lbs.	kg	
									inch	mm	inch	mm			
6005-1212	JB60OFS-12-12	1-3/16-12	3/4	19.1	3.62	92.0	1.61	41.0	1.12	28.5	1.37	34.9	0.49	0.22	50
6005-1616	JB60OFS-16-16	1-7/16-12	1	25.4	3.90	99.0	1.77	45.0	1.31	33.3	1.62	41.2	0.66	0.30	36
6005-2020	JB60OFS-20-20	1-11/16-12	1-1/4	31.8	3.94	100.0	1.54	39.0	1.37	34.9	1.87	47.6	2.38	1.08	12
6005-2424	JB60OFS-24-24	2-12	1-1/2	38.1	4.13	105.0	1.61	41.0	1.87	47.6	2.26	57.3	2.99	1.36	12

*Standard Pack is 1.

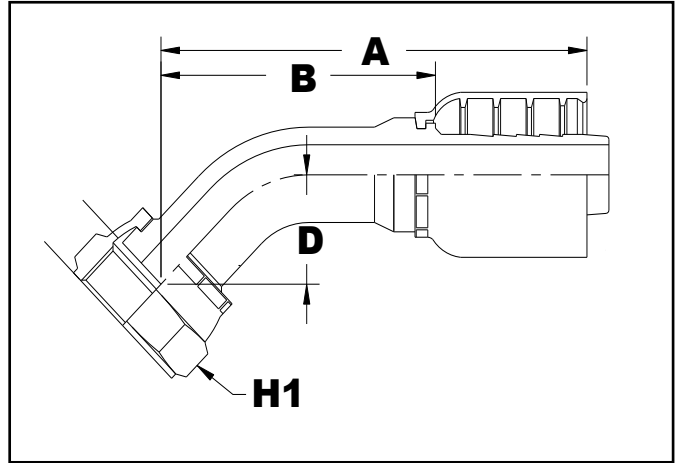
We disclaim any liability for use of our products in applications other than which they are designed.

WARNING: This product can expose you to chemicals including lead, which is known to the State of California to cause cancer, birth defects or other reproductive harm. For more information visit www.P65WARNINGS.ca.gov

HYDRAULIC COUPLINGS - 60/JB60

6007 SERIES

**JB60OFS45 SERIES
Female O-Ring Face Seal
45° Elbow**



Catalog Part Number	Descriptive Part Number	Thread	Hose Inside Diameter		"A" Dimension Overall Length		"B" Dimension Cut-Off Length		"D" Dimension Drop		Hex Size		Weight		Bulk Pack
			inch	mm	inch	mm	inch	mm	inch	mm	inch	mm	lbs.	kg	
6007-1212	JB60OFS45-12-12	1-3/16-12	3/4	19.1	5.00	127.0	2.95	75.0	1.10	28.0	1.37	34.9	0.88	0.40	32
6007-1616	JB60OFS45-16-16	1-7/16-12	1	25.4	5.12	130.0	2.99	76.0	1.18	30.0	1.62	41.2	1.37	0.62	18
6007-2020	JB60OFS45-20-20	1-11/16-12	1-1/4	31.8	6.46	164.0	4.06	103.0	1.57	40.0	1.87	47.6	2.78	1.26	10
6007-2424	JB60OFS45-24-24	2-12	1-1/2	38.1	7.05	179.0	4.49	114.0	1.77	45.0	2.25	57.1	3.00	1.36	10

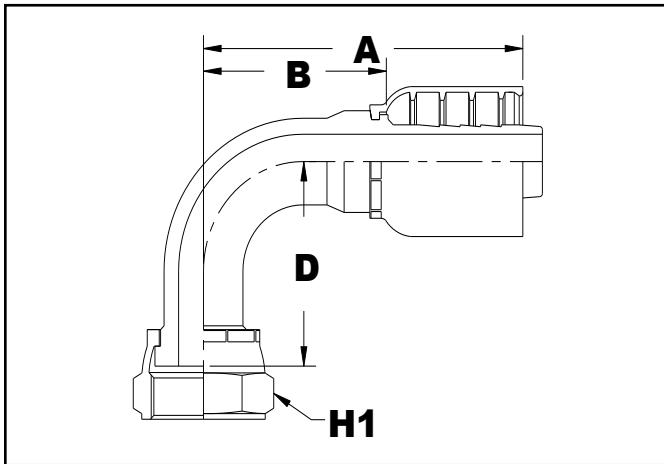
*Standard Pack is 1.

We disclaim any liability for use of our products in applications other than which they are designed.

WARNING: This product can expose you to chemicals including lead, which is known to the State of California to cause cancer, birth defects or other reproductive harm. For more information visit www.P65WARNINGS.ca.gov

JB60OFS90 SERIES
Female O-Ring Face Seal
90° Elbow

6009 SERIES



Catalog Part Number	Descriptive Part Number	Thread	Hose Inside Diameter		"A" Dimension Overall Length		"B" Dimension Cut-Off Length		"D" Dimension Drop		Hex Size		Weight		Bulk Pack
			inch	mm	inch	mm	inch	mm	inch	mm	inch	mm	lbs.	kg	
6009-1212	JB60OFS90-12-12	1-3/16-12	3/4	19.1	4.45	113.0	2.40	61.0	1.93	49.0	1.37	34.9	0.93	0.42	32
6009-1616	JB60OFS90-16-16	1-7/16-12	1	25.4	5.31	135.0	3.19	81.0	2.24	57.0	1.62	41.2	1.94	0.88	10
6009-2020	JB60OFS90-20-20	1-11/16-12	1-1/4	31.8	6.06	154.0	3.66	93.0	3.03	77.0	1.87	47.6	2.87	1.30	10
6009-2424	JB60OFS90-24-24	2-12	1-1/2	38.1	6.14	156.0	3.58	91.0	3.15	80.0	2.25	57.1	3.99	1.81	7

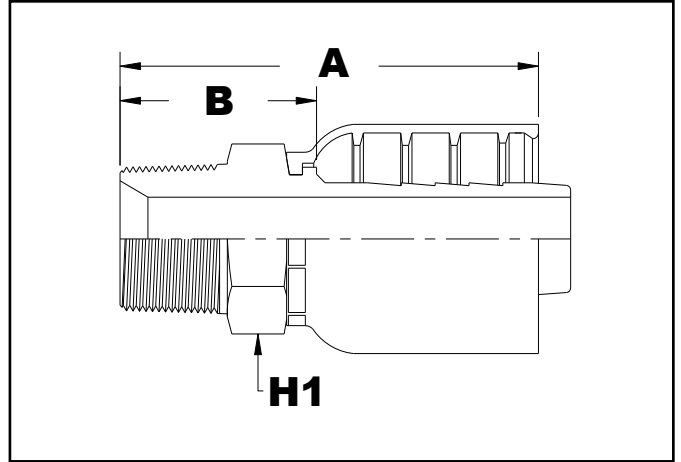
*Standard Pack is 1.

We disclaim any liability for use of our products in applications other than which they are designed.

WARNING: This product can expose you to chemicals including lead, which is known to the State of California to cause cancer, birth defects or other reproductive harm. For more information visit www.P65WARNINGS.ca.gov

6020 SERIES

**JB60MP SERIES
Male Pipe Rigid NPTF**



HYDRAULIC COUPLINGS - 60/JB60

Catalog Part Number	Descriptive Part Number	Thread	Hose Inside Diameter		"A" Dimension Overall Length		"B" Dimension Cut-Off Length		Hex Size		Weight		Bulk Pack	
			in.	mm	in.	mm	in.	mm	in.	mm	lbs.	kg	qty	
6020-1212	JB60MP-12-12	3/4-14	3/4	19.1	19.1	3.35	85.0	1.46	37.0	1.06	27.0	0.69	0.31	50
6020-1616	JB60MP-16-16	1-11.5	1	25.4	25.4	4.13	105.0	1.69	43.0	1.42	36.0	1.09	0.50	36
6020-2020	JB60MP-20-20	1-1/4-11.5	1-1/4	31.8	31.8	4.61	117.0	2.05	52.0	1.81	46.0	2.02	0.92	15
6020-2424	JB60MP-24-24	1-1/2-11.5	1-1/2	38.1	38.1	4.49	114.0	2.05	52.0	1.97	50.0	2.47	1.12	15
6020-3232	JB60MP-32-32	2-11.5	2	50.8	50.8	5.28	134.0	2.28	58.0	2.36	60.0	4.06	1.84	8

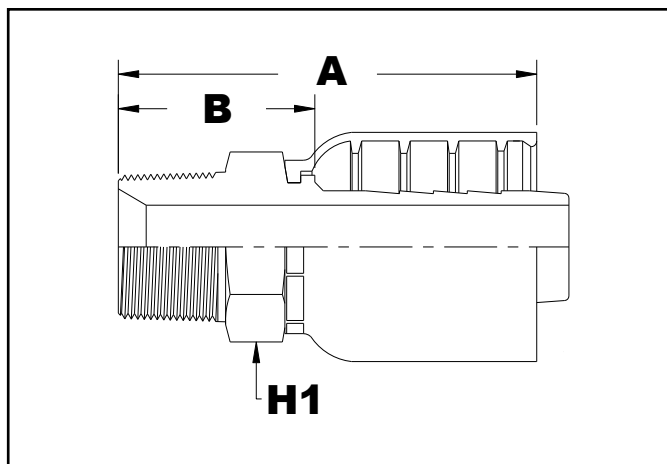
*Standard Pack is 1.

We disclaim any liability for use of our products in applications other than which they are designed.

WARNING: This product can expose you to chemicals including lead, which is known to the State of California to cause cancer, birth defects or other reproductive harm. For more information visit www.P65WARNINGS.ca.gov

JB60MPAPI SERIES Male Pipe API

6024 SERIES



Catalog Part Number	Descriptive Part Number	API Thread	Hose Inside Diameter		"A" Dimension Overall Length		"B" Dimension Cut-Off Length		"D" Dimension Drop		Hex Size H1		Weight		Bulk Pack
			inch	mm	inch	mm	inch	mm	inch	mm	inch	mm	lbs.	kg	qty
6024-2424	JB60MPAPI-24-24	1-1/2 - 11.5	1-1/2	38.1	4.49	114.0	2.04	51.8	-	-	2.0	50.8	2.45	1.11	12
6024-3232	JB60MPAPI-32-32	2 - 11.5	2	50.8	5.63	142.9	2.78	70.6	-	-	2.5	63.5	4.06	1.84	6

*Standard Pack is 1.

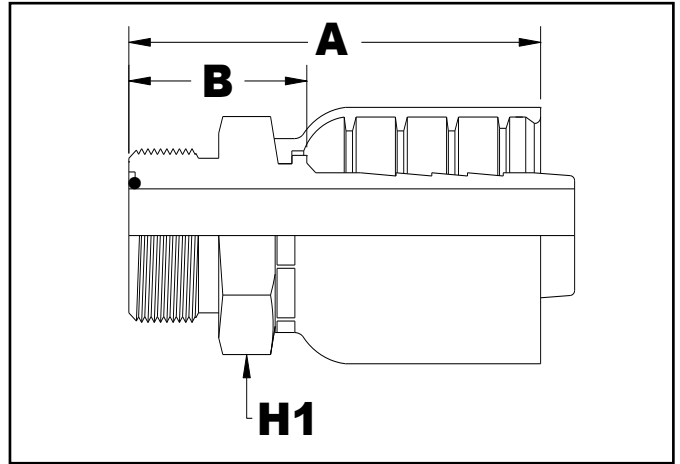
We disclaim any liability for use of our products in applications other than which they are designed.

WARNING: This product can expose you to chemicals including lead, which is known to the State of California to cause cancer, birth defects or other reproductive harm. For more information visit www.P65WARNINGS.ca.gov

6032 SERIES



**JB60MOFS SERIES
SAE Male O-Ring Face Seal**



HYDRAULIC COUPLINGS - 60/JB60

Catalog Part Number	Descriptive Part Number	Thread	Hose Inside Diameter		"A" Dimension Overall Length		"B" Dimension Cut-Off Length		Hex Sizes		Weight		Bulk Pack
			inch	mm	inch	mm	inch	mm	inch	mm	lbs.	kg	
6032-1212	JB60MOFS-12-12	3/4-14	3/4	19.1	3.25	82.5	1.26	32.0	1.26	32	0.99	0.45	48
6032-1616	JB60MOFS-16-16	1-11.5	1.0	25.4	3.56	90.5	1.46	37.0	1.50	38	1.08	0.49	30

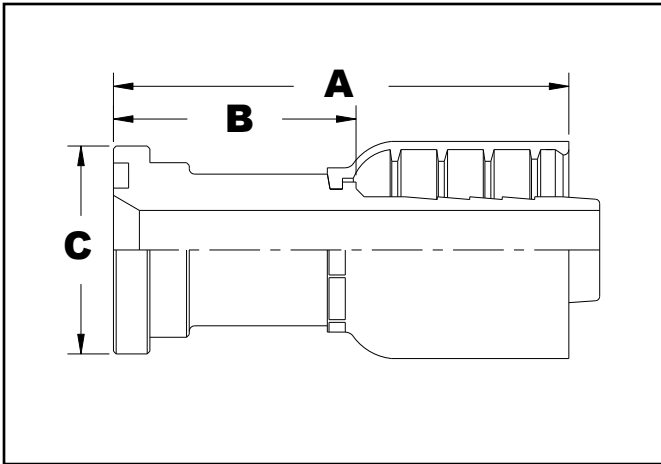
*Standard Pack is 1.

We disclaim any liability for use of our products in applications other than which they are designed.

WARNING: This product can expose you to chemicals including lead, which is known to the State of California to cause cancer, birth defects or other reproductive harm. For more information visit www.P65WARNINGS.ca.gov

JB60C61S SERIES
SAE Code 61 Flange - Straight

6034 SERIES



Catalog Part Number	Descriptive Part Number	Flange Size		Hose Inside Diameter		"A" Dimension Overall Length		"B" Dimension Cut-Off Length		Flange Diameter -C-		Weight		Bulk Pack
		inch	mm	inch	mm	inch	mm	inch	mm	inch	mm	lbs.	kg	qty
6034-1212	JB60C61S-12-12	3/4	19.1	3/4	19.1	3.35	85.0	1.89	48.0	1.50	38.1	0.81	0.37	50
6034-1616	JB60C61S-16-16	1	25.4	1	25.4	3.66	93.0	2.05	52.0	1.75	44.4	1.33	0.60	36
6034-2020	JB60C61S-20-20	1-1/4	31.8	1-1/4	31.8	4.69	119.0	3.03	77.0	2.00	50.8	2.00	0.91	15
6034-2424	JB60C61S-24-24	1-1/2	38.1	1-1/2	38.1	4.49	114.0	3.11	79.0	2.37	60.3	2.54	1.15	15
6034-3232	JB60C61S-32-32	2	50.8	2	50.8	4.72	120.0	3.19	81.0	2.81	71.4	4.60	2.08	8

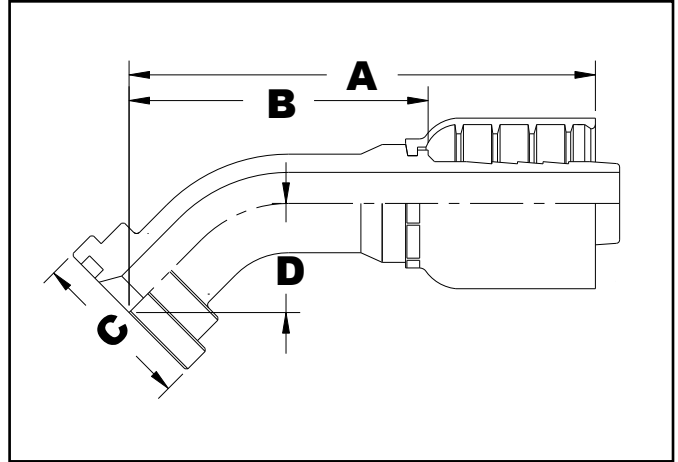
*Standard Pack is 1.

We disclaim any liability for use of our products in applications other than which they are designed.

WARNING: This product can expose you to chemicals including lead, which is known to the State of California to cause cancer, birth defects or other reproductive harm. For more information visit www.P65WARNINGS.ca.gov

6036 SERIES

JB60C6145 SERIES
SAE Code 61 Flange - 45° Elbow



Catalog Part Number	Descriptive Part Number	Flange Size		Hose Inside Diameter		"A" Dimension Overall Length		"B" Dimension Cut-Off Length		"D" Dimension Drop		Flange Diameter -C-		Weight		Bulk Pack
		inch	mm	inch	mm	inch	mm	inch	mm	inch	mm	inch	mm	lbs.	kg	
6036-1212	JB60C6145-12-12	3/4	19.1	3/4	19.1	5.04	128.0	2.99	76.0	1.14	29.0	1.50	38.1	0.89	0.40	32
6036-1616	JB60C6145-16-16	1	25.4	1	25.4	4.46	121.0	3.03	77.0	1.22	31.0	1.75	44.4	1.42	0.65	18
6036-2020	JB60C6145-20-20	1-1/4	31.8	1-1/4	31.8	6.38	162.0	3.98	101.0	1.50	38.0	2.00	50.8	2.31	1.05	12
6036-2424	JB60C6145-24-24	1-1/2	38.1	1-1/2	38.1	7.01	178.0	4.45	113.0	1.57	40.0	2.37	60.3	2.70	1.23	12
6036-3232	JB60C6145-32-32	2	50.8	2	50.8	8.43	214.0	5.43	138.0	2.36	60.0	2.81	71.4	6.04	2.74	6

*Standard Pack is 1.

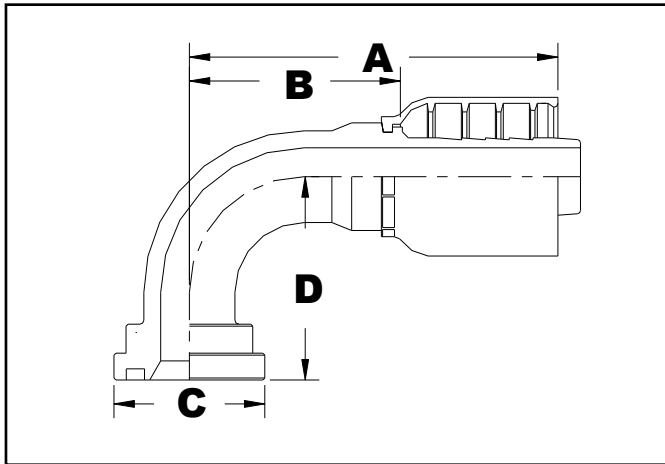
We disclaim any liability for use of our products in applications other than which they are designed.

WARNING: This product can expose you to chemicals including lead, which is known to the State of California to cause cancer, birth defects or other reproductive harm. For more information visit www.P65WARNINGS.ca.gov

HYDRAULIC COUPLINGS - 60/JB60

JB60C6190 SERIES
SAE Code 61 Flange - 90° Elbow

6039 SERIES



Catalog Part Number	Descriptive Part Number	Flange Size		Hose Inside Diameter		"A" Dimension Overall Length		"B" Dimension Cut-Off Length		"D" Dimension Drop		Flange Diameter -C-		Weight		Bulk Pack
		inch	mm	inch	mm	inch	mm	inch	mm	inch	mm	inch	mm	lbs.	kg	qty
6039-1212	JB60C6190-12-12	3/4	19.1	3/4	19.1	4.45	113.0	2.40	61.0	2.13	54.0	1.50	38.1	0.96	0.44	32
6039-1616	JB60C6190-16-16	1	25.4	1	25.4	5.31	135.0	3.19	81.0	2.44	62.0	1.75	44.4	1.63	0.74	15
6039-2020	JB60C6190-20-20	1-1/4	31.8	1-1/4	31.8	6.06	154.0	3.66	93.0	3.11	79.0	2.00	50.8	2.76	1.25	15
6039-2424	JB60C6190-24-24	1-1/2	38.1	1-1/2	38.1	6.14	156.0	3.58	91.0	3.27	83.0	2.37	60.3	2.83	1.29	10
6039-3232	JB60C6190-32-32	2	50.8	2	50.8	8.31	211.0	5.31	135.0	5.16	131.0	2.81	71.4	6.92	3.14	6

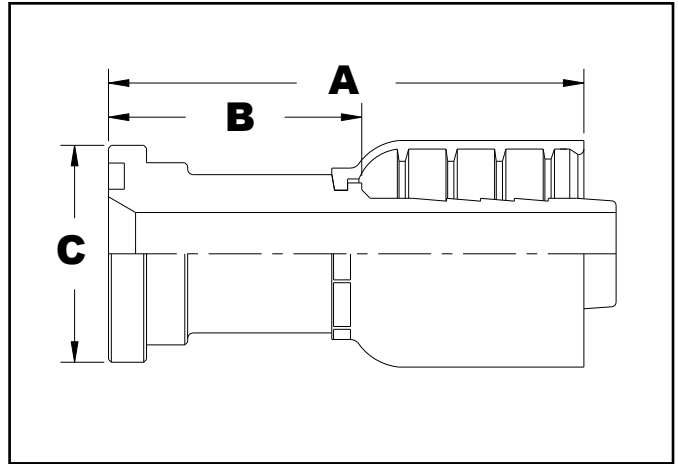
*Standard Pack is 1.

We disclaim any liability for use of our products in applications other than which they are designed.

WARNING: This product can expose you to chemicals including lead, which is known to the State of California to cause cancer, birth defects or other reproductive harm. For more information visit www.P65WARNINGS.ca.gov

6041 SERIES

**JB60C62S SERIES
SAE Code 62 Flange - Straight**



Catalog Part Number	Descriptive Part Number	Flange Size		Hose Inside Diameter		"A" Dimension Overall Length		"B" Dimension Cut-Off Length		Flange Diameter -C-		Weight		Bulk Pack
		inch	mm	inch	mm	inch	mm	inch	mm	inch	mm	lbs.	kg	
6041-1212	JB60C62S-12-12	3/4	19.1	3/4	19.1	3.82	97.0	2.05	52.0	1.62	41.2	0.89	0.40	50
6041-1616	JB60C62S-16-16	1	25.4	1	25.4	4.09	104.0	2.36	60.0	1.87	47.6	1.55	0.70	36
6041-2020	JB60C62S-20-20	1-1/4	31.8	1-1/4	31.8	5.91	150.0	3.54	90.0	2.12	53.9	2.43	1.10	15
6041-2424	JB60C62S-24-24	1-1/2	38.1	1-1/2	38.1	7.05	179.0	4.29	109.0	2.50	63.5	3.12	1.42	15
6041-3232	JB60C62S-32-32	2	50.8	2	50.8	7.56	192.0	5.35	136.0	3.12	79.3	5.71	2.59	8

*Standard Pack is 1.

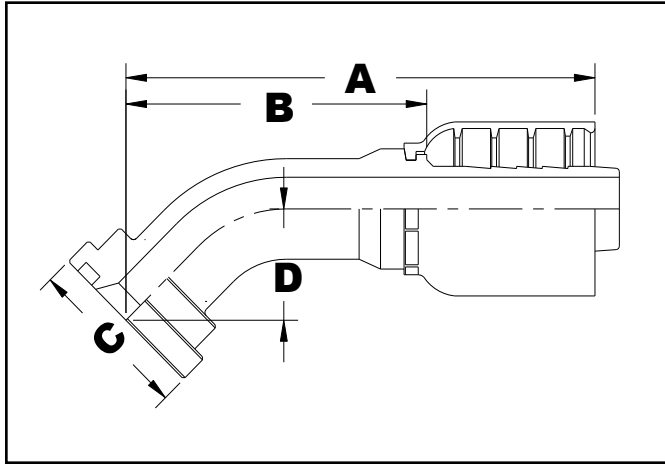
We disclaim any liability for use of our products in applications other than which they are designed.

WARNING: This product can expose you to chemicals including lead, which is known to the State of California to cause cancer, birth defects or other reproductive harm. For more information visit www.P65WARNINGS.ca.gov

HYDRAULIC COUPLINGS - 60/JB60

JB60C6245 SERIES
SAE Code 62 Flange - 45° Elbow

6043 SERIES



Catalog Part Number	Descriptive Part Number	Flange Size		Hose Inside Diameter		"A" Dimension Overall Length		"B" Dimension Cut-Off Length		"D" Dimension Drop		Flange Diameter -C-		Weight		Bulk Pack
		inch	mm	inch	mm	inch	mm	inch	mm	inch	mm	inch	mm	lbs.	kg	qty
6043-1212	JB60C6245-12-12	3/4	19.1	3/4	19.1	5.16	131.0	3.11	79.0	1.26	32.0	1.62	41.2	0.93	0.42	32
6043-1616	JB60C6245-16-16	1	25.4	1	25.4	4.96	126.0	3.23	82.0	1.42	36.0	1.87	47.6	1.45	0.66	18
6043-2020	JB60C6245-20-20	1-1/4	31.8	1-1/4	31.8	6.69	170.0	4.29	109.0	1.81	46.0	2.12	53.9	2.58	1.17	12
6043-2424	JB60C6245-24-24	1-1/2	38.1	1-1/2	38.1	7.24	184.0	4.69	119.0	1.97	50.0	2.50	63.5	3.16	1.44	12
6043-3232	JB60C6245-32-32	2	50.8	2	50.8	9.02	229.0	6.02	153.0	2.95	75.0	3.12	79.3	7.85	3.56	6

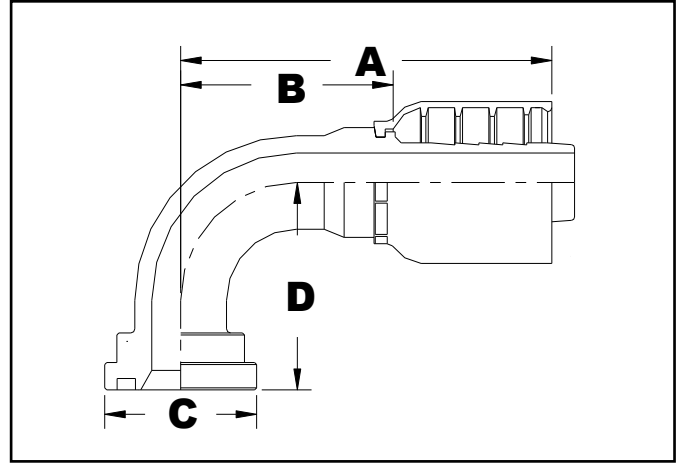
*Standard Pack is 1.

We disclaim any liability for use of our products in applications other than which they are designed.

⚠ WARNING: This product can expose you to chemicals including lead, which is known to the State of California to cause cancer, birth defects or other reproductive harm. For more information visit www.P65WARNINGS.ca.gov

6045 SERIES

JB60C6290 SERIES
SAE Code 62 Flange - 90° Elbow



Catalog Part Number	Descriptive Part Number	Flange Size		Hose Inside Diameter		"A" Dimension Overall Length		"B" Dimension Cut-Off Length		"D" Dimension Drop		Flange Diameter -C-		Weight		Bulk Pack
		inch	mm	inch	mm	inch	mm	inch	mm	inch	mm	inch	mm	lbs.	kg	
6045-1212	JB60C6290-12-12	3/4	19.1	3/4	19.1	4.41	112.0	3.11	79.0	2.28	58.0	1.62	41.2	1.00	0.45	32
6045-1616	JB60C6290-16-16	1	25.4	1	25.4	5.24	133.0	3.23	82.0	2.72	69.0	1.87	47.6	1.79	0.81	15
6045-2020	JB60C6290-20-20	1-1/4	31.8	1-1/4	31.8	6.06	154.0	4.29	109.0	3.54	90.0	2.12	53.9	2.79	1.26	15
6045-2424	JB60C6290-24-24	1-1/2	38.1	1-1/2	38.1	6.14	156.0	4.69	119.0	3.62	92.0	2.50	63.5	3.30	1.50	10
6045-3232	JB60C6290-32-32	2	50.8	2	50.8	8.31	211.0	6.02	153.0	6.02	153.0	3.12	79.3	7.76	3.52	6

*Standard Pack is 1.

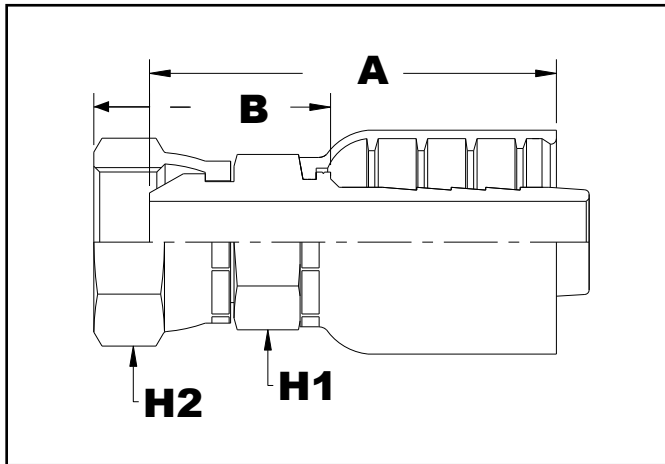
We disclaim any liability for use of our products in applications other than which they are designed.

WARNING: This product can expose you to chemicals including lead, which is known to the State of California to cause cancer, birth defects or other reproductive harm. For more information visit www.P65WARNINGS.ca.gov

HYDRAULIC COUPLINGS - 60/JB60

JB60FSPPBSP SERIES
Female Swivel Parallel Pipe
BSP - 30° Cone - Metric

6048 SERIES



Catalog Part Number	Descriptive Part Number	Thread	Hose Inside Diameter		"A" Dimension Overall Length		"B" Dimension Cut-Off Length		Hex Sizes				Weight		Bulk Pack
			inch	mm	inch	mm	inch	mm	H1		H2		lbs.	kg	qty
6048-1212	JB60FSPPBSP-12-12	3/4-14	3/4	19.1	3.23	82.0	1.34	34.0	1.26	32.0	1.42	36.0	0.79	0.36	50
6048-1616	JB60FSPPBSP-16-16	1-11	1	25.4	3.90	99.0	1.50	38.0	1.42	36.0	1.61	41.0	1.32	0.60	36
6048-2020	JB60FSPPBSP-20-20	1-1/4-11	1-1/4	31.8	4.49	114.0	1.93	49.0	1.81	46.0	1.97	50.0	2.28	1.03	15
6048-2424	JB60FSPPBSP-24-24	1-1/2-11	1-1/2	38.1	4.69	119.0	2.09	53.0	2.17	55.0	2.17	55.0	2.68	1.21	15
6048-3232	JB60FSPPBSP-32-32	2-11	2	50.8	5.31	135.0	2.32	59.0	2.50	63.5	2.87	73.0	5.18	2.35	8

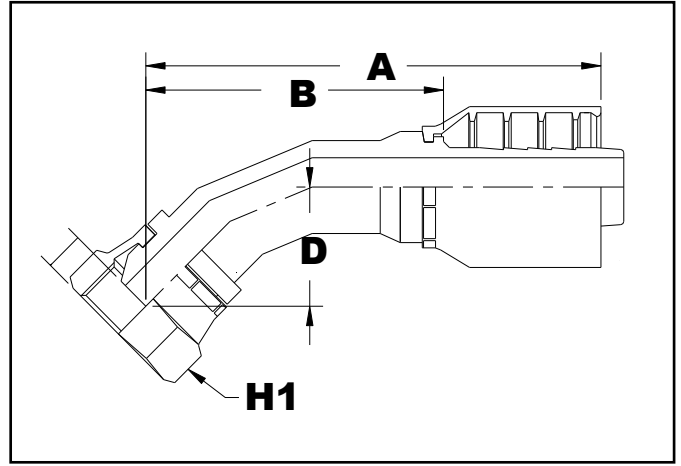
*Standard Pack is 1.

We disclaim any liability for use of our products in applications other than which they are designed.

WARNING: This product can expose you to chemicals including lead, which is known to the State of California to cause cancer, birth defects or other reproductive harm. For more information visit www.P65WARNINGS.ca.gov

6049 SERIES

JB60FSPPBSP45 SERIES
Female Swivel Parallel Pipe
BSP - 30° Cone - 45° Elbow - Metric



HYDRAULIC COUPLINGS - 60/JB60

Catalog Part Number	Descriptive Part Number	Thread	Hose Inside Diameter		"A" Dimension Overall Length		"B" Dimension Cut-Off Length		"D" Dimension Drop		Hex Size		Weight		Bulk Pack
			inch	mm	inch	mm	inch	mm	inch	mm	inch	mm	lbs.	kg	
6049-1212	JB60FSPPBSP45-12-12	3/4-14	3/4	19.1	5.16	131.0	3.11	79.0	1.18	30.0	1.42	36.0	0.77	0.35	32
6049-1616	JB60FSPPBSP45-16-16	1-11	1	25.4	5.24	133.0	3.11	79.0	1.30	33.0	1.61	41.0	1.21	0.55	18
6049-2020	JB60FSPPBSP45-20-20	1-1/4-11	1-1/4	31.8	6.57	167.0	4.17	106.0	1.65	42.0	1.97	50.0	2.23	1.01	12
6049-2424	JB60FSPPBSP45-24-24	1-1/2-11	1-1/2	38.1	7.13	181.0	4.57	116.0	1.89	48.0	2.17	55.0	3.26	1.48	12
6049-3232	JB60FSPPBSP45-32-32	2-11	2	50.8	8.66	220.0	5.67	144.0	2.60	66.0	2.87	73.0	4.92	2.23	6

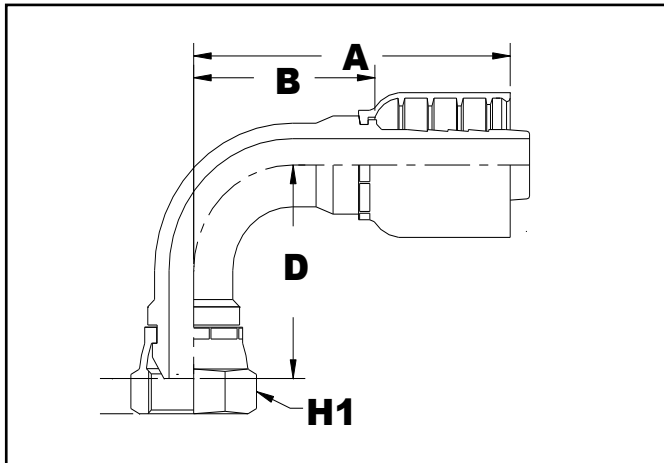
*Standard Pack is 1.

We disclaim any liability for use of our products in applications other than which they are designed.

! WARNING: This product can expose you to chemicals including lead, which is known to the State of California to cause cancer, birth defects or other reproductive harm. For more information visit www.P65WARNINGS.ca.gov

JB60FSPPBSP90 SERIES
Female Swivel Parallel Pipe
BSP - 30° Cone - 90° Cone - Metric

6050 SERIES



Catalog Part Number	Descriptive Part Number	Thread	Hose Inside Diameter		"A" Dimension Overall Length		"B" Dimension Cut-Off Length		"D" Dimension Drop		Hex Size		Weight		Bulk Pack
			inch	mm	inch	mm	inch	mm	inch	mm	inch	mm	lbs.	kg	
6050-1212	JB60FSPPBSP90-12-12	3/4-14	3/4	19.1	4.45	113.0	2.40	61.0	2.09	53.0	1.42	36.0	0.93	0.42	32
6050-1616	JB60FSPPBSP90-16-16	1-11	1	25.4	5.31	135.0	3.19	81.0	2.48	63.0	1.61	41.0	0.73	0.33	15
6050-2020	JB60FSPPBSP90-20-20	1-1/4-11	1-1/4	31.8	6.06	154.0	3.66	93.0	3.35	85.0	1.97	50.0	3.03	1.37	15
6050-2424	JB60FSPPBSP90-24-24	1-1/2-11	1-1/2	38.1	6.14	156.0	3.58	91.0	3.46	88.0	2.17	55.0	3.68	1.67	10
6050-3232	JB60FSPPBSP90-32-32	2-11	2	50.8	8.31	211.0	5.31	135.0	5.51	140.0	2.87	73.0	8.05	3.65	6

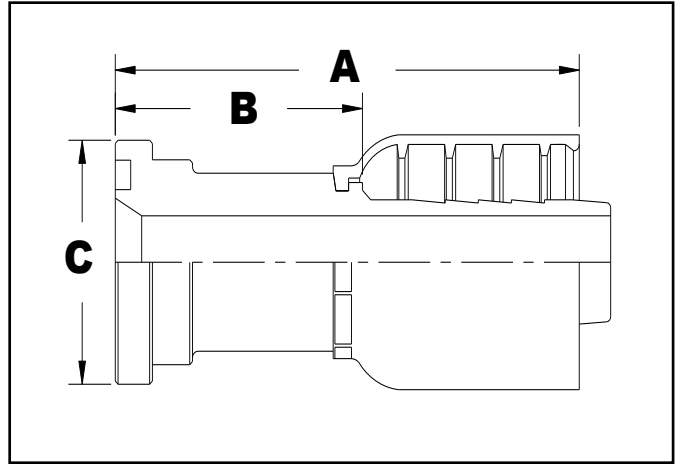
*Standard Pack is 1.

We disclaim any liability for use of our products in applications other than which they are designed.

WARNING: This product can expose you to chemicals including lead, which is known to the State of California to cause cancer, birth defects or other reproductive harm. For more information visit www.P65WARNINGS.ca.gov

6060 SERIES

JB60CATS SERIES
Caterpillar Style Flange - Straight



HYDRAULIC COUPLINGS - 60/JB60

Catalog Part Number	Descriptive Part Number	Flange Size		Hose Inside Diameter		"A" Dimension Overall Length		"B" Dimension Cut-Off Length		Flange Diameter -C-		Weight		Bulk Pack
		inch	mm	inch	mm	inch	mm	inch	mm	inch	mm	lbs.	kg	qty
6060-1212	JB60CATS-12-12	3/4	19.1	3/4	19.1	3.82	97.0	2.05	52.0	1.62	41.2	1.00	0.45	50
6060-1612	JB60CATS-16-12	1	25.4	3/4	19.1	4.44	112.7	2.51	63.8	1.87	47.6	1.28	0.58	30
6060-1616	JB60CATS-16-16	1	25.4	1	25.4	4.09	104.0	2.36	60.0	1.87	47.6	1.54	0.70	36
6060-2016	JB60CATS-20-16	1-1/4	31.8	1	25.4	5.19	131.9	3.20	81.4	2.13	54.0	1.92	0.87	18
6060-2020	JB60CATS-20-20	1-1/4	31.8	1-1/4	31.8	5.91	150.0	3.54	90.0	2.12	53.9	2.59	1.17	15
6060-2420	JB60CATS-24-20	1-1/2	38.1	1-1/4	31.8	5.81	147.6	3.33	84.6	2.50	63.5	2.84	1.29	10
6060-2424	JB60CATS-24-24	1-1/2	38.1	1-1/2	38.1	7.05	179.0	4.29	109.0	2.50	63.5	3.05	1.39	15
6060-3232	JB60CATS-32-32	2	50.8	2	50.8	7.56	192.0	5.35	136.0	3.12	79.3	5.80	2.63	8

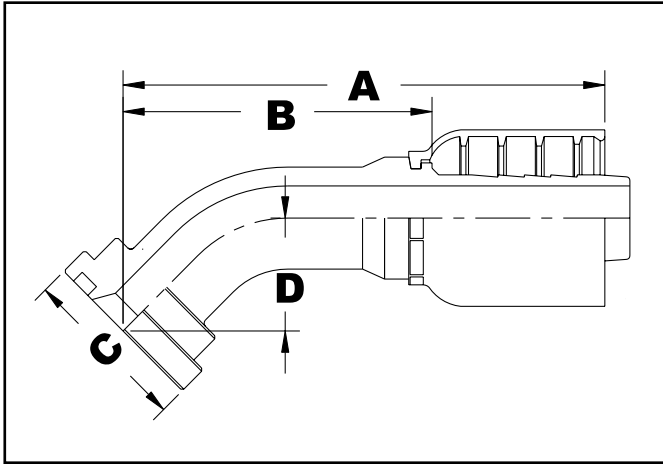
*Standard Pack is 1.

We disclaim any liability for use of our products in applications other than which they are designed.

⚠ WARNING: This product can expose you to chemicals including lead, which is known to the State of California to cause cancer, birth defects or other reproductive harm. For more information visit www.P65WARNINGS.ca.gov

JB60CAT45 SERIES
Caterpillar Style Flange - 45° Elbow

6062 SERIES



Catalog Part Number	Descriptive Part Number	Flange Size		Hose Inside Diameter		"A" Dimension Overall Length		"B" Dimension Cut-Off Length		"D" Dimension Drop		Flange Diameter -C-		Weight		Bulk Pack
		inch	mm	inch	mm	inch	mm	inch	mm	inch	mm	inch	mm	lbs.	kg	qty
6062-1212	JB60CAT45-12-12	3/4	19.1	3/4	19.1	5.16	131.0	3.11	79.0	1.26	32.0	1.62	41.2	1.04	0.47	32
6062-1616	JB60CAT45-16-16	1	25.4	1	25.4	4.96	126.0	3.23	82.0	1.42	36.0	1.87	47.6	1.70	0.77	18
6062-2020	JB60CAT45-20-20	1-1/4	31.8	1-1/4	31.8	6.69	170.0	4.29	109.0	1.81	46.0	2.12	53.9	2.77	1.25	12
6062-2424	JB60CAT45-24-24	1-1/2	38.1	1-1/2	38.1	7.24	184.0	4.69	119.0	1.97	50.0	2.50	63.5	3.36	1.53	12
6062-3232	JB60CAT45-32-32	2	50.8	2	50.8	9.02	229.0	6.02	153.0	2.95	75.0	3.12	79.3	6.88	3.12	6

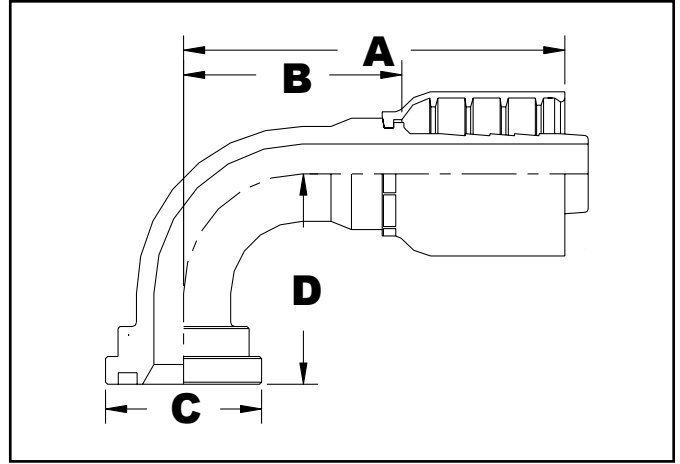
*Standard Pack is 1.

We disclaim any liability for use of our products in applications other than which they are designed.

WARNING: This product can expose you to chemicals including lead, which is known to the State of California to cause cancer, birth defects or other reproductive harm. For more information visit www.P65WARNINGS.ca.gov

6064 SERIES

**JB60CAT90 SERIES
Caterpillar Style Flange - 90° Elbow**



Catalog Part Number	Descriptive Part Number	Flange Size		Hose Inside Diameter		"A" Dimension Overall Length		"B" Dimension Cut-Off Length		"D" Dimension Drop		Flange Diameter -C-		Weight		Bulk Pack
		inch	mm	inch	mm	inch	mm	inch	mm	inch	mm	inch	mm	lbs.	kg	qty
6064-1212	JB60CAT90-12-12	3/4	19.1	3/4	19.1	4.41	112.0	3.11	79.0	2.28	58.0	1.62	41.2	1.08	0.49	32
6064-1612	JB60CAT90-16-12	1	25.4	3/4	19.1	4.33	109.9	2.40	61.0	2.59	65.7	1.87	47.6	1.28	0.58	20
6064-1616	JB60CAT90-16-16	1	25.4	1	25.4	5.24	133.0	3.23	82.0	2.72	69.0	1.87	47.6	1.90	0.86	15
6064-2016	JB60CAT90-20-16	1-1/4	31.8	1	25.4	5.18	131.5	3.19	81.0	2.91	74	2.12	53.9	1.98	0.90	15
6064-2020	JB60CAT90-20-20	1-1/4	31.8	1-1/4	31.8	6.06	154.0	4.29	109.0	3.54	90.0	2.12	53.9	2.94	1.33	15
6064-2420	JB60CAT90-24-20	1-1/2	38.1	1-1/4	31.8	6.14	156.0	3.66	93.0	3.61	91.6	2.50	63.5	3.18	1.44	7
6064-2424	JB60CAT90-24-24	1-1/2	38.1	1-1/2	38.1	6.14	156.0	4.69	119.0	3.62	92.0	2.50	63.5	3.69	1.68	10
6064-3232	JB60CAT90-32-32	2	50.8	2	50.8	8.31	211.0	6.02	153.0	6.02	153.0	3.12	79.3	7.63	3.46	6

*Standard Pack is 1.

We disclaim any liability for use of our products in applications other than which they are designed.

WARNING: This product can expose you to chemicals including lead, which is known to the State of California to cause cancer, birth defects or other reproductive harm. For more information visit www.P65WARNINGS.ca.gov

HYDRAULIC COUPLINGS - 60/JB60

FIELD ATTACHABLE (REUSABLE) COUPLINGS - FOR SAE 100R5, J1402 TYPE AII, FMVSS 106 HOSES

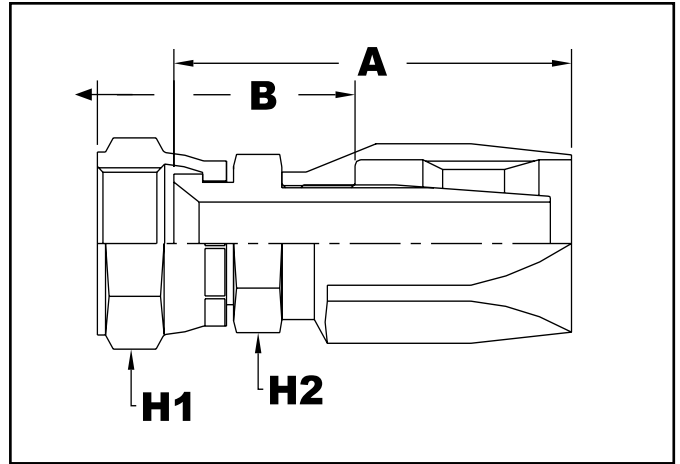
<u>SERIES</u>	<u>DESCRIPTIVE SERIES</u>	<u>DESCRIPTION</u>	<u>PAGE</u>
7500	JFR5FS	Female Swivel JIC 37° Flare	166
7502	JFR5FS45	Female Swivel JIC 37° Flare 45° Elbow	167
7504	JFR5FS90	Female Swivel JIC 37° Flare 90° Elbow	168
7510	JFR5FA	Female Swivel SAE 45° Flare	169
7520	JFR5MP	Male Pipe Rigid NPTF	170

*Federal law requires registration with the Department of Transportation (DOT) for anyone producing air brake hose assemblies with swaged or crimp fittings. The Jason 5050 Series hoses have been tested and meet SAE 100R5 and J1402 Type AII/FMVSS 106 requirements with the Jason 75 Series field attachable (reusable) couplings. Sizes 16 (7/8" bore) and larger are not included in the SAE J1402/FMVSS 106 standards.



7500 SERIES

**JFR5FS SERIES
Female Swivel JIC 37° Flare**



Catalog Part Number	Descriptive Part Number	Thread	Hose Inside Diameter		"A" Dimension Overall Length		"B" Dimension Cut-Off Length		"D" Dimension Drop		Hex Sizes				Weight		Bulk Pack
			inch	mm	inch	mm	inch	mm	inch	mm	inch	mm	inch	mm	inch	mm	
7500-0404	JFR5FS-04-04	7/16-20	3/16	4.8	1.94	49.3	1.19	30.2	-	-	0.56	14.2	0.56	14.2	0.10	0.05	N/A
7500-0505	JFR5FS-05-05	1/2-20	1/4	6.4	2.08	52.8	1.30	33.0	-	-	0.63	16.0	0.63	16.0	0.12	0.05	N/A
7500-0606	JFR5FS-06-06	9/16-18	5/16	7.9	2.31	58.7	1.41	35.8	-	-	0.69	17.4	0.69	17.4	0.17	0.08	N/A
7500-0808	JFR5FS-08-08	3/4-16	13/32	10.3	2.84	72.1	1.58	40.1	-	-	0.87	22.2	0.87	22.2	0.27	0.12	N/A
7500-1010	JFR5FS-10-10	7/8-14	1/2	12.7	3.06	77.7	1.67	42.4	-	-	1.00	25.4	1.00	25.4	0.41	0.19	N/A
7500-1212	JFR5FS-12-12	1-1/16-12	5/8	15.9	3.50	88.9	1.92	48.8	-	-	1.25	31.7	1.25	31.7	0.57	0.26	N/A
7500-1616	JFR5FS-16-16	1-5/16-12	7/8	22.2	3.19	81.0	1.92	48.8	-	-	1.50	38.1	1.50	38.1	0.70	0.32	N/A
7500-2020	JFR5FS-20-20	1-5/8-12	1-1/8	28.6	3.38	85.9	2.03	51.6	-	-	2.00	50.8	2.00	50.8	1.35	0.61	N/A

*Standard Pack is 1.

We disclaim any liability for use of our products in applications other than which they are designed.

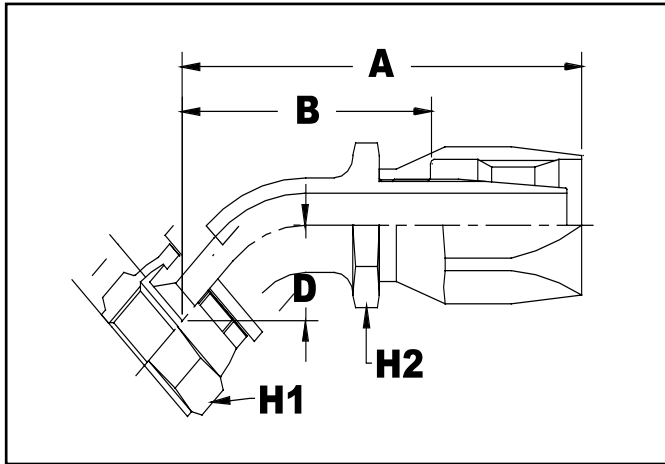
NOTE: Only approved field attachable (reusable) screw together couplings can be used on this hose for compliance with DOT FMVSS 106 requirements. No crimp couplings may be used on any airbrake hose without the end assembler testing, registering and complying with DOT.

WARNING: This product can expose you to chemicals including lead, which is known to the State of California to cause cancer, birth defects or other reproductive harm. For more information visit www.P65WARNINGS.ca.gov

HYDRAULIC COUPLINGS - 75/JFR5

JFR5FS45 SERIES
Female Swivel JIC 37° Flare
45° Elbow

7502 SERIES



Catalog Part Number	Descriptive Part Number	Thread	Hose Inside Diameter		"A" Dimension Overall Length		"B" Dimension Cut-Off Length		"D" Dimension Drop		Hex Sizes				Weight		Bulk Pack
			inch	mm	inch	mm	inch	mm	inch	mm	H1		H2		lbs.	kg	
													inch	mm	inch	mm	
7502-0404	JFR5FS45-04-04	7/16-20	3/16	4.8	0.84	21.3	1.10	27.9	0.33	8.4	0.56	14.2	0.56	14.2	0.09	0.04	N/A
7502-0505	JFR5FS45-05-05	1/2-20	1/4	6.4	1.06	26.9	1.28	32.5	0.36	9.1	0.63	16.0	0.63	16.0	0.12	0.05	N/A
7502-0606	JFR5FS45-06-06	9/16-18	5/16	7.9	2.23	56.6	1.33	33.8	0.39	9.9	0.69	17.4	0.69	17.4	0.17	0.08	N/A
7502-0808	JFR5FS45-08-08	3/4-16	13/32	10.3	2.98	75.7	1.84	46.7	0.55	14.0	0.87	22.2	0.87	19.0	0.23	0.10	N/A
7502-1010	JFR5FS45-10-10	7/8-14	1/2	12.7	3.23	82.0	1.64	41.7	0.63	16.0	1.00	25.4	1.00	22.2	0.45	0.20	N/A
7502-1212	JFR5FS45-12-12	1-1/16-12	5/8	15.9	3.78	96.0	2.22	56.4	0.77	19.6	1.25	31.7	1.25	28.5	0.64	0.29	N/A
7502-1616	JFR5FS45-16-16	1-5/16-12	7/8	22.2	3.56	90.4	2.23	56.6	0.89	22.6	1.50	38.1	1.50	35.0	0.84	0.38	N/A

*Standard Pack is 1.

We disclaim any liability for use of our products in applications other than which they are designed.

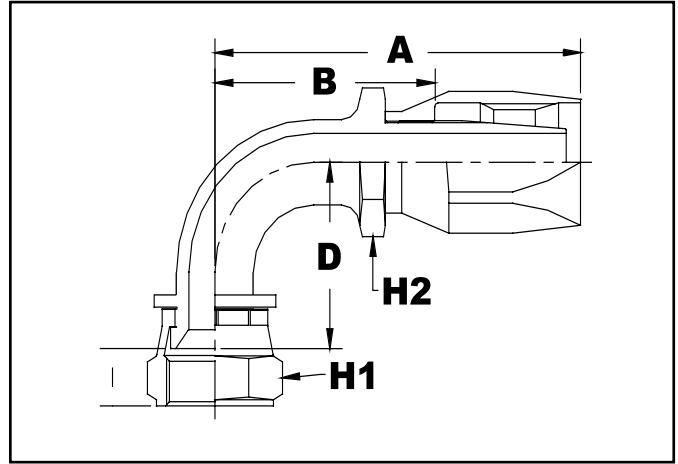
NOTE: Only approved field attachable (reusable) screw together couplings can be used on this hose for compliance with DOT FMVSS 106 requirements. No crimp couplings may be used on any airbrake hose without the end assembler testing, registering and complying with DOT.

WARNING: This product can expose you to chemicals including lead, which is known to the State of California to cause cancer, birth defects or other reproductive harm. For more information visit www.P65WARNINGS.ca.gov

7504 SERIES

JFR5FS90 SERIES

Female Swivel JIC 37° Flare - 90° Elbow



HYDRAULIC COUPLINGS - 75/JFR5

Catalog Part Number	Descriptive Part Number	Thread	Hose Inside Diameter		"A" Dimension Overall Length		"B" Dimension Cut-Off Length		"D" Dimension Drop		Hex Sizes				Weight		Bulk Pack
			inch	mm	inch	mm	inch	mm	inch	mm	inch	mm	inch	mm	inch	mm	
7504-0404	JFR5FS90-04-04	7/16-20	3/16	4.8	1.75	44.5	1.00	25.4	0.69	17.5	0.56	14.2	0.56	14.2	0.11	0.05	N/A
7504-0505	JFR5FS90-05-05	1/2-20	1/4	6.4	1.97	50.0	1.19	30.2	0.77	19.6	0.63	16.0	0.63	16.0	0.12	0.05	N/A
7504-0606	JFR5FS90-06-06	9/16-18	5/16	7.9	2.13	54.1	1.23	31.2	0.84	21.3	0.69	17.4	0.69	17.4	0.17	0.08	N/A
7504-0808	JFR5FS90-08-08	3/4-16	13/32	10.3	2.75	69.9	1.61	40.9	1.09	27.7	0.87	22.2	0.87	22.2	0.26	0.12	N/A
7504-1010	JFR5FS90-10-10	7/8-14	1/2	12.7	2.94	74.7	1.66	42.2	1.23	31.2	1.00	25.4	1.00	25.4	0.47	0.21	N/A
7504-1212	JFR5FS90-12-12	1-1/16-12	5/8	15.9	3.75	95.3	2.17	55.1	1.81	46.0	1.25	31.7	1.25	31.7	0.66	0.30	N/A
7504-1616	JFR5FS90-16-16	1-5/16-12	7/8	22.2	3.55	90.2	2.28	57.9	2.14	54.4	1.50	38.1	1.50	38.1	0.90	0.41	N/A

*Standard Pack is 1.

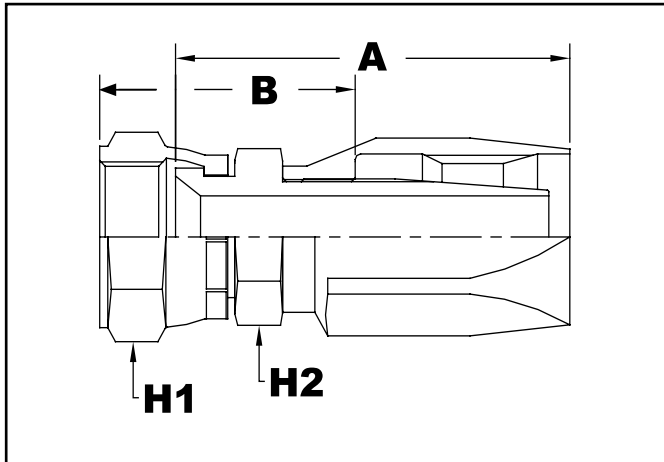
We disclaim any liability for use of our products in applications other than which they are designed.

NOTE: Only approved field attachable (reusable) screw together couplings can be used on this hose for compliance with DOT FMVSS 106 requirements. No crimp couplings may be used on any airbrake hose without the end assembler testing, registering and complying with DOT.

WARNING: This product can expose you to chemicals including lead, which is known to the State of California to cause cancer, birth defects or other reproductive harm. For more information visit www.P65WARNINGS.ca.gov

JFR5FA SERIES
Female Swivel SAE 45° Flare

7510 SERIES



Catalog Part Number	Descriptive Part Number	Thread	Hose Inside Diameter		"A" Dimension Overall Length		"B" Dimension Cut-Off Length		"D" Dimension Drop		Hex Sizes				Weight		Bulk Pack
			inch	mm	inch	mm	inch	mm	inch	mm	H1		H2		lbs.	kg	qty
7510-0404	JFR5FA-04-04	7/16-20	3/16	4.8	1.94	49.3	0.83	21.1	-	-	0.56	14.2	0.56	14.2	0.09	0.04	N/A
7510-0505	JFR5FA-05-05	1/2-20	1/4	6.4	2.08	52.8	0.94	23.9	-	-	0.63	16.0	0.63	16.0	0.12	0.05	N/A
7510-0606	JFR5FA-06-06	5/8-18	5/16	7.9	2.34	59.4	1.02	25.9	-	-	0.75	19.1	0.75	19.1	0.18	0.08	N/A
7510-0808	JFR5FA-08-08	3/4-16	13/32	10.3	2.84	72.1	1.14	29.0	-	-	0.87	22.2	0.87	22.2	0.27	0.12	N/A
7510-1010	JFR5FA-10-10	7/8-14	1/2	12.7	3.06	77.7	1.17	29.7	-	-	1.00	25.4	1.00	25.4	0.41	0.19	N/A
7510-1212	JFR5FA-12-12	1-1/16-14	5/8	15.9	3.50	88.9	1.34	34.0	-	-	1.25	31.7	1.25	31.7	0.60	0.27	N/A

*Standard Pack is 1.

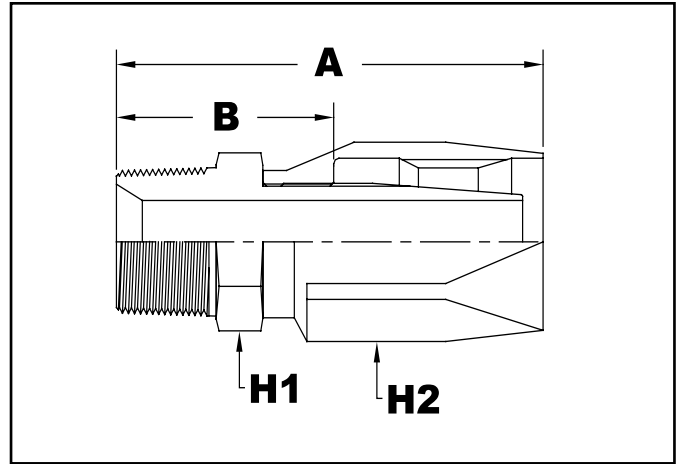
We disclaim any liability for use of our products in applications other than which they are designed.

NOTE: Only approved field attachable (reusable) screw together couplings can be used on this hose for compliance with DOT FMVSS 106 requirements. No crimp couplings may be used on any airbrake hose without the end assembler testing, registering and complying with DOT.

WARNING: This product can expose you to chemicals including lead, which is known to the State of California to cause cancer, birth defects or other reproductive harm. For more information visit www.P65WARNINGS.ca.gov

7520 SERIES

**JFR5MP SERIES
Male Pipe NPTF**



HYDRAULIC COUPLINGS - 75/JFR5

Catalog Part Number	Descriptive Part Number	Thread	Hose Inside Diameter		"A" Dimension Overall Length		"B" Dimension Cut-Off Length		"D" Dimension Drop		Hex Sizes				Weight		Bulk Pack
			inch	mm	inch	mm	inch	mm	inch	mm	H1		H2		lbs.	kg	qty
											inch	mm	inch	mm			
7520-0404	JFR5MP-04-04	1/4-18	3/16	4.8	1.86	47.2	1.11	28.2	-	-	0.56	14.2	0.63	15.9	0.10	0.05	N/A
7520-0405	JFR5MP-04-05	1/4-18	1/4	6.4	1.97	50.0	1.19	30.2	-	-	0.56	14.2	0.69	17.4	0.11	0.05	N/A
7520-0606	JFR5MP-06-06	3/8-18	5/16	7.9	2.20	55.9	1.27	32.3	-	-	0.69	17.4	0.81	20.6	0.15	0.07	N/A
7520-0808	JFR5MP-08-08	1/2-14	13/32	10.3	2.72	69.1	1.56	39.6	-	-	0.87	19.1	0.94	23.8	0.26	0.12	N/A
7520-0810	JFR5MP-08-10	1/2-14	1/2	12.7	2.86	72.6	1.59	40.4	-	-	0.87	19.1	1.12	28.4	0.36	0.16	N/A
7520-1212	JFR5MP-12-12	3/4-14	5/8	15.9	3.20	81.3	1.67	42.4	-	-	1.06	26.9	1.25	31.7	0.49	0.22	N/A
7520-1616	JFR5MP-16-16	1-11.5	7/8	22.2	2.98	75.7	1.72	43.7	-	-	1.38	35.1	1.44	36.5	0.63	0.29	N/A
7520-2020	JFR5MP-20-20	1-1/4-11.5	1-1/8	28.6	3.19	81.0	1.83	46.5	-	-	1.75	44.5	1.75	44.4	1.08	0.49	N/A

*Standard Pack is 1.

We disclaim any liability for use of our products in applications other than which they are designed.

NOTE: Only approved field attachable (reusable) screw together couplings can be used on this hose for compliance with DOT FMVSS 106 requirements. No crimp couplings may be used on any airbrake hose without the end assembler testing, registering and complying with DOT.

WARNING: This product can expose you to chemicals including lead, which is known to the State of California to cause cancer, birth defects or other reproductive harm. For more information visit www.P65WARNINGS.ca.gov